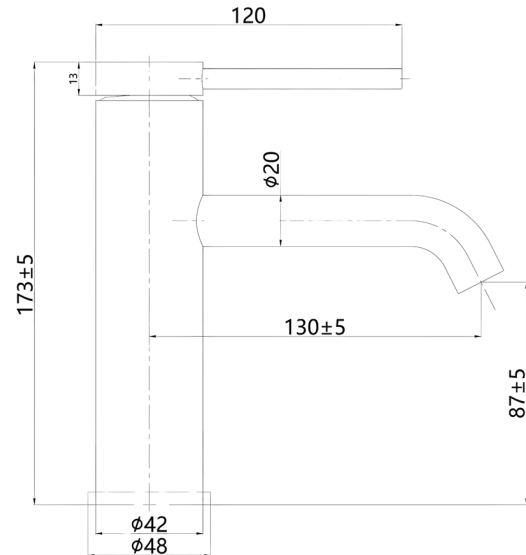


## Product Information & Specifications



PRODUCT CODE: ASP6289

### Aspire Air Pin Lever Basin Mixer Brushed Nickel

|                          |   |
|--------------------------|---|
| <b>WELS Rating</b>       | 5L/Min  |
| <b>WELS Star Rating</b>  | 5 Star  |
| <b>WELS Registration</b> | T45953  |
| <b>Features</b>          | <ul style="list-style-type: none"> <li>• 304 Stainless Steel</li> <li>• Matte Brushed Finish</li> <li>• Kerox 35mm Cartridge</li> </ul> |



### Warranty details

This product is covered for 15 year warranty on the main body. 7 year replacement product or parts (ceramic cartridge, aerator and flexible hoses). This product must be installed by a licensed plumber and in accordance to AS/NZ 3500 Series Standards, failure to do so will void your warranty.

#### Warranty requirements

Please pay attention to the below details. Failure to do so will void your warranty:

- Do not use acid cleansers
- Do not use abrasive cleansers
- Do not use abrasive cloths

#### Maintenance instructions

- Rinse surface with warm water
- Dry with a soft cloth
- To remove surface marks, please use a neutral cleanser