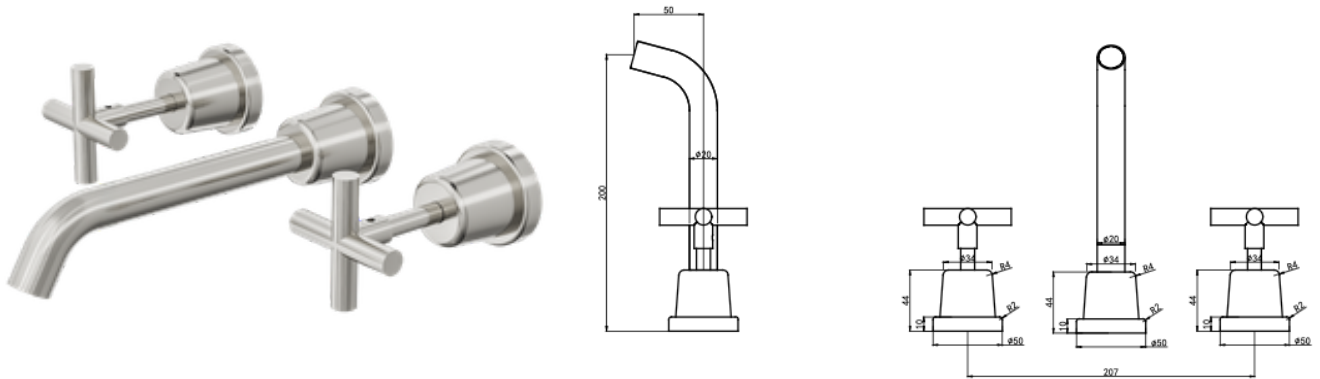


## Product Information & Specifications



PRODUCT CODE: ASP6293

### Aspire Air Cross Handle 3-Piece Basin/Bath Set Brushed Nickel

<b>WELS Rating</b>	5 Star
<b>WELS Star Rating</b>	5.5L/Min
<b>WELS Registration</b>	T48677
<b>Features</b>	<ul style="list-style-type: none"> <li>• 304 Stainless Steel</li> <li>• Matte Brushed Finish</li> <li>• 1/4 Turn Ceramic Disc</li> </ul>



### Warranty details

This product is covered for 15 year warranty on the main body. 7 year replacement product or parts (ceramic cartridge, aerator and flexible hoses). This product must be installed by a licensed plumber and in accordance to AS/NZ 3500 Series Standards, failure to do so will void your warranty.

#### Warranty requirements

Please pay attention to the below details. Failure to do so will void your warranty:

- Do not use acid cleansers
- Do not use abrasive cleansers
- Do not use abrasive cloths

#### Maintenance instructions

- Rinse surface with warm water
- Dry with a soft cloth
- To remove surface marks, please use a neutral cleanser