



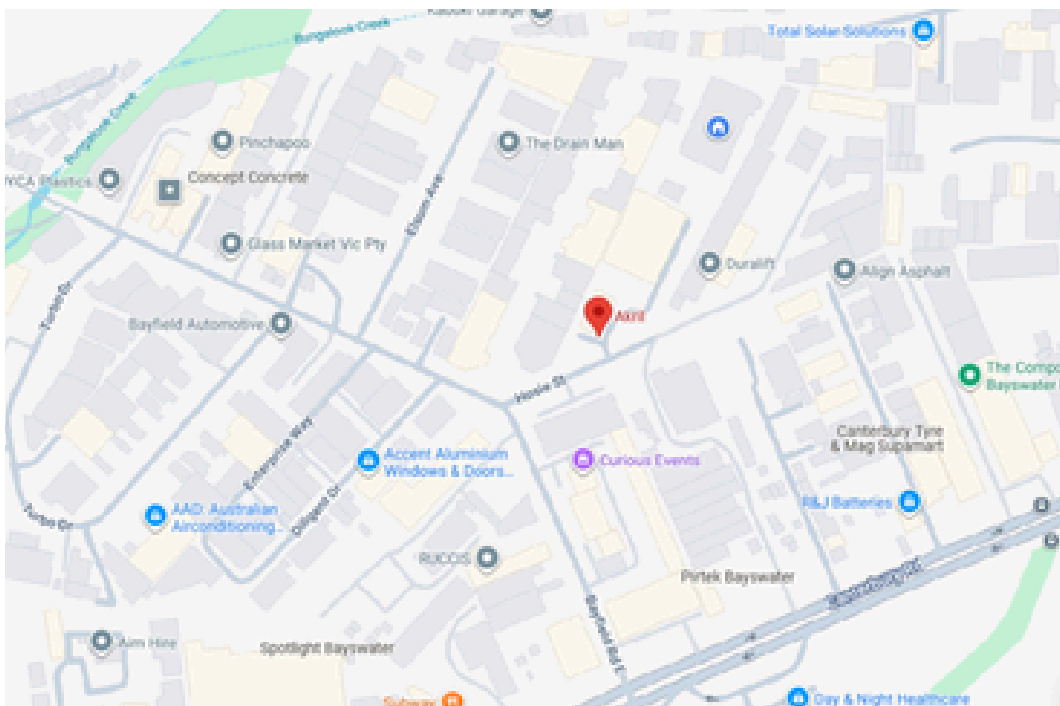
# akrill™

Supplier reference folder



# Lead Time

Delivery Times	Vic	NSW	QLD	QLD*	SA	WA	WA*	Tas
Shower Base, Niche, Tile Tray	3	4	4	5	4	5	7	5
Akril Standard Colour	5	6	6	7	6	7	10	7
Akril Select or Custom Colour	10	12	12	14	12	14	15	12



COMPOSITE MATERIALS ENGINEERING  
37 Hosie Street  
Bayswater North VIC 3153

Phone: 1800 46 47 28  
Orders: [orders@composite.com.au](mailto:orders@composite.com.au)  
Enquiries - [sale@akril.com.au](mailto:sale@akril.com.au)  
w: [www.akril.com.au](http://www.akril.com.au)  
Warranty  
[warranty@akril.com.au](mailto:warranty@akril.com.au)



# Akril Panel



# Polymer Features at a Glance?

- Unique, high-tech polymer
- Adhere with a clear Neutral Cure 100% silicone
- Hi-Gloss finish
- 10-year UV warranty
- Available off-the-shelf in designer colours
- Can be colour-matched to suit (depending on project scale)
- Scratch resistant
- Scratches can be polished out
- Easy to work- easy to install
- Higher heat distortion (up to 80° Celcius)
- Lighter, more cost-effective than painted glass
- Environmentally friendly: recyclable/ lower energy than glass to produce
- 100% recyclable
- Builders have on-site control
- 25 times more impact resistant than glass
- Available in various sizes
- No grout to clean
- Highest chemical resistance in category



## Key Applications

- Shower Walls & Wet Areas
- Kitchen & Laundry Splashbacks
- Commercial Joinery
- Sanitary Areas (Hospitals, Food Preparations areas)
- Shopfitting
- Foyers and Restaurant fitouts

Approved Adhesive for Akрил:

- High Quality Neutral Cure Silicone



## Kitchen Splashback Sizes

- 725mm x 2440mm x 6mm
- 725mm x 1220mm x 6mm
- 725mm x 3050mm x 6mm

## Stainless Steel Filler Panels

- 650mm x 597mm x 1mm
- 650mm x 897mm x 1mm
- 730mm x 597mm x 1mm
- 730mm x 897mm x 1mm

## Colour Matched Filler Panels

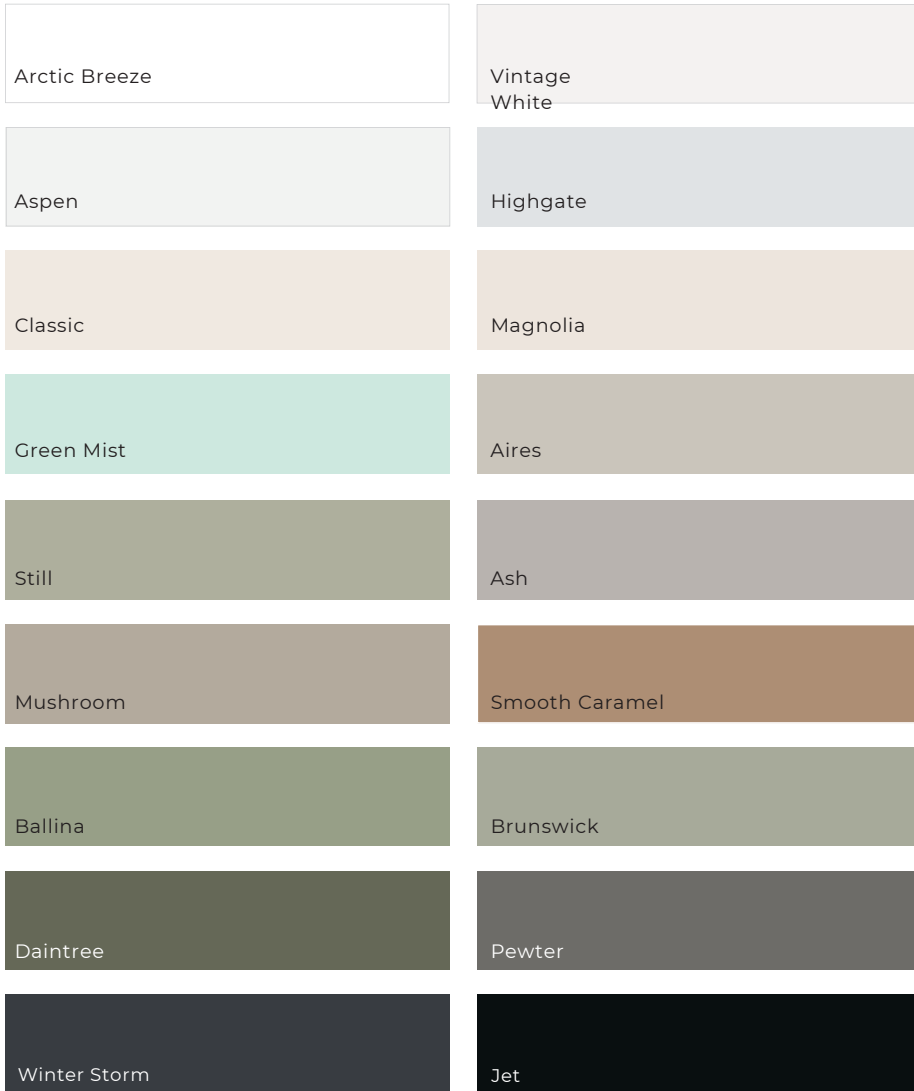
- 650mm x 595mm x 5mm
- 650mm x 895mm x 5mm
- 730mm x 595mm x 5mm
- 730mm x 895mm x 5mm

## Wall Panel Sizes

- 900mm x 2440mm x 4mm
- 1220mm x 2440mm x 4mm & 6mm
- 1220mm x 3050mm x 4mm & 6mm

# Decorator Range

Solid Colours



Note: Colour variation between batches can occur.



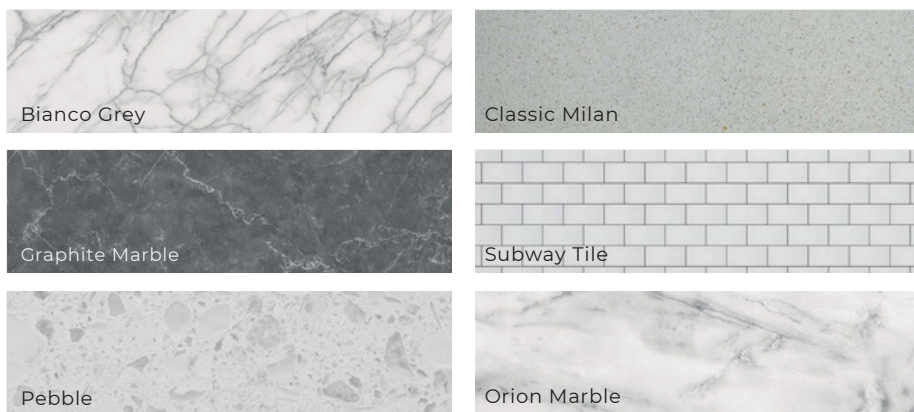
Custom Colour

Send us a Dulux Colour Code and we will paint you dream colour.

## Handy Tip

Apply Sticky Tape over you Dulux Colour Chip to get a high gloss indication. Colour will vary slight.

## Akril Select



Delivery Times	Vic	NSW	QLD	QLD*	SA	WA	WA*	Tas
Shower Base, Niche, Tile Tray	3	4	4	5	4	5	7	5
Akril Standard Colour	5	6	6	7	6	7	10	7
Akril Select or Custom Colour	10	12	12	14	12	14	15	12

# Akril Select Order Process

1. Complete an Akril Select Order Form (Available on the website)
2. Confirm details are correct. Is a filler panel required? Do we need a colour code for custom colour range? If ordering Select ensure the panel orientation is specified.
3. Where a glass filler panel is required the overall length of your image will increase with the width of the glass. Eg 2440mm Polymer + 600mm Glass = 3040mm
4. Remind your customer while everything will be done to give the best colour match, it will vary slightly due to mixing glass and polymer sheets. A colour chip may also vary slightly to the final product also due to batch to batch variation.
5. Create the order
6. Scan form and send to [orders@composite.com.au](mailto:orders@composite.com.au)

## Panel Orientation

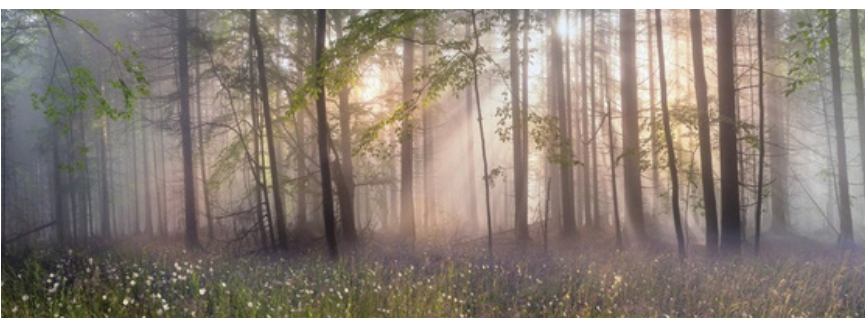
Akril Polymers can be used around the home in many applications,

Sometimes in a vertical orientation such as in showers or featurewalls. Our Select range can be reorientated to accommodate this and to provide a design across one or more vertical panels.

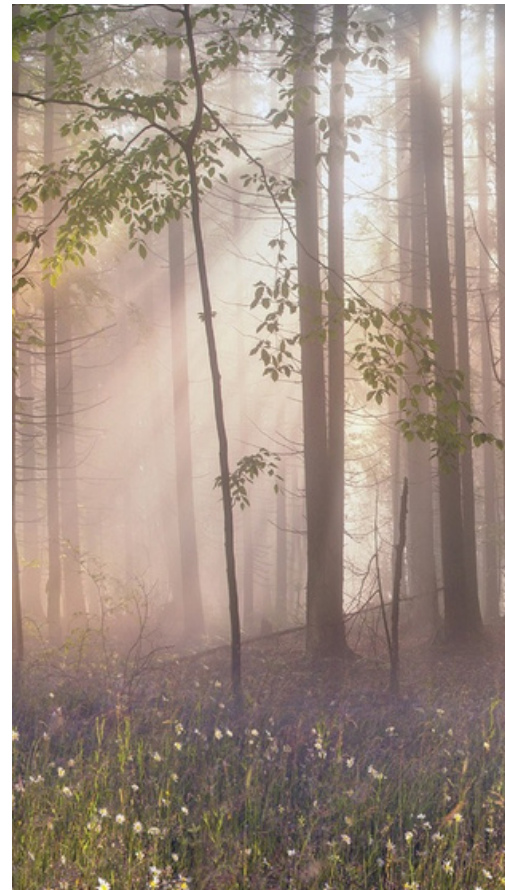
To order a Select Polymer make a note on your order clearly stating you require the design in a vertical orientation.

If you require the design to be continuous across more than one sheet clearly note this at the same time.

Please note that only a section of the Select design is able to be provided when ordering in a vertical orientation. Our designer will choose the best section based on your order requirements. See below for an example.



Horizontal



Vertical



# Akril Select Order Form

Use this order form to draw a quick diagram of your requirements and to ensure correct alignment and orientation of your panels for your space. Please note this is not for custom sizing, cutting or to scale.

Example Diagram	A	B	C	D
-----------------	---	---	---	---

Section	Measurement	Colour/Design	Material	Continuous Image
A	mm			<input type="checkbox"/> Yes <input type="checkbox"/> No
B	mm			
C	mm			Panel Orientation
D*	mm			<input type="checkbox"/> Horizontal
E*	mm			<input type="checkbox"/> Vertical

Support

T 1800 46 47 28

E orders@composite.com.au

F 03 9729 5197

W www.akril.com.au

\* If required Colours in a printed brochure can look different than in real life. Everything possible will be done to deliver the best match however due to the nature of paint compared to print a perfect match cannot be guaranteed every time. Please take this into consideration when ordering your Akril panel. Due to the composition of glass your colour matched filler panel can vary up to 10% in difference from your polymer panel.

# Akril Polish Kit

---

The Akril Polish Kit can be used to remove scratches or to create beautiful polished edges on Akril Polymers. By working through various grades of sand paper and finishing with the Ultra Polishing Cream, you can remove scratches and return the surface to its original lustre.



## Can I use Akril Behind Cooktops?

### Hot Tolerance

Do not leave your hot plate uncovered.

An exposed cooktop emits far greater radiant heat than when covered and this can damage your splashback.



### Electric Cooktops

Yes you can install Akril behind cook tops. All of the Akril range can be installed behind ceramic, electric and inductions cooktops.

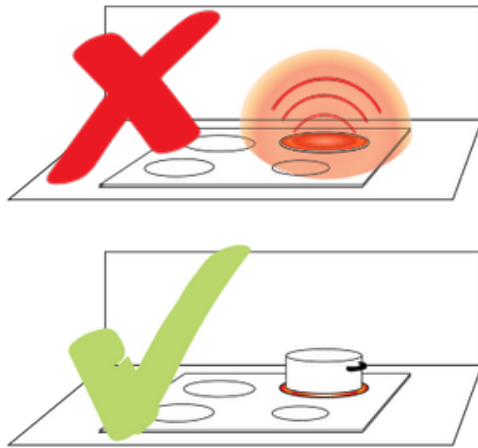
Radiant heat can and will damage the polymer if left exposed for a lengthy period of time. Ensure the panels are installed with 100% COVERAGE AS PER OUR INSTRUCTIONS.

### Gas Cooktops

The complete Akril range offers an option for use behind gas cook tops. Simply order the colour or design matched glass filler panel and your colour or design will flow almost seamlessly throughout the kitchen from the polymer section through. Alternatively you may purchase a stainless steel filler panel and install over the polymer.

# The recommended installation method for use behind cook tops

Recommended installation method for use behind cooktops. Additional adhesion support required directly behind heat source.



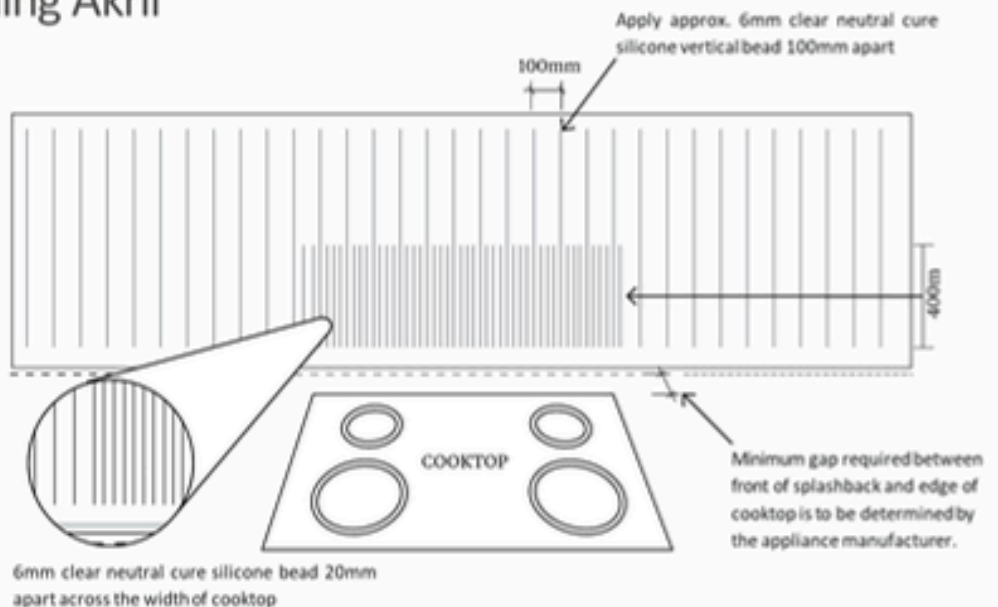
## Heat Tolerance

Do not leave your hot plate uncovered. An exposed cooktop emits far greater radiant heat than when covered and this can damage your splashback. Akрил is only covered under warranty against normal wear and tear. See installation instructions for best advice installing near cooktops. For warranty or heat tolerance further explanation contact us.

## Installing Akрил

### The Recommended Installation Method for use Behind Cooktops

Additional adhesion support required directly behind heat source.



# Akril Stainless Steel Filler Panels

Akril offer a range of stainless steel filler panels to give you even more options in your kitchen. Easy DIY installation directly over a Akril Polymer gives you the flexibility to use behind a gas cooktop and protect against radiant heat. With 4 sizes available in horizontal grain and 2 in vertical, Akril stainless steel filler panels are sure to match your kitchen.

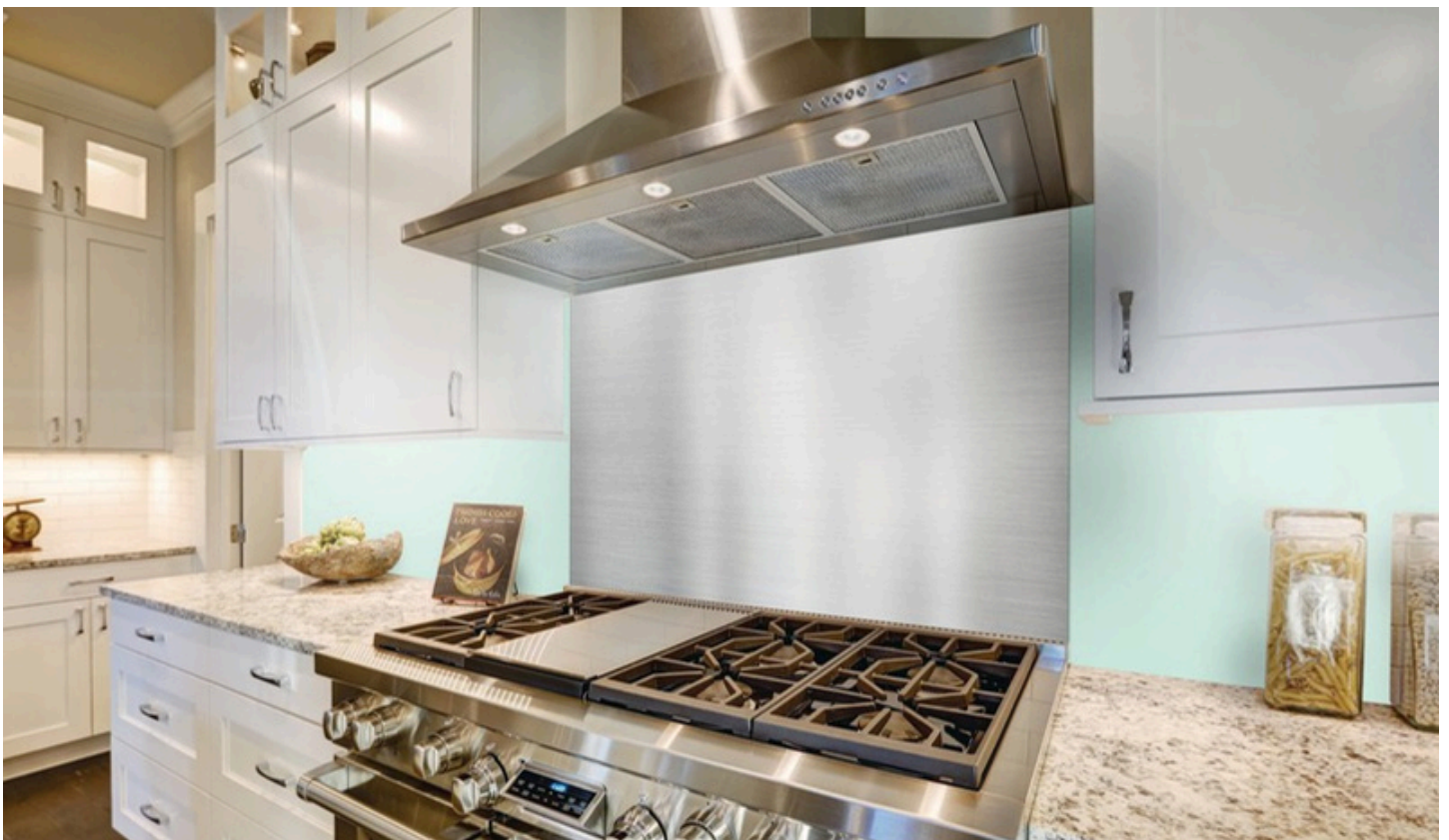
Nano Coat technology gives all horizontal grain stainless steel filler panels fingerprint resistance, a feature that removes one of the most common issues with stainless steel in the home.



Horizontal Grain – Fingerprint Resistant



Vertical Grain





# Akril Installation



**Kitchen Splashbacks**  
**Laundries Splashback**  
**Island Panels**  
**Shower Walls**  
**Wall Panels**  
**Shopfitting**

---

Manufactured in Australia

by:



1/37 Hosie Street, Bayswater VIC  
AUS 3153 Telephone: (613) 9729  
4999 Facsimile: (613) 8720 7600  
Email: cme@composite.com.au



---

## Tools to Assist with Installation

Marker Straight	Trestle Table or Work Bench Sanding Block
Edge Tape	Wet and dry sand papers
Measure	Neutral cure translucent silicone
Carpenters Square	Double Sided tape
Caulking Gun	4mm Tile Spacers
Circular Saw Drill	Appropriate task related PPE (Personal Protective Equipment)

---

## Warnings

Akril is not to be used in direct contact with any heat source above 80° C. —See heat tolerance section for additional advice.

Please inspect every sheet of Akril before installation for any imperfections or colour batch issues as these will not be covered under warranty after installation. Ensure Painted side is installed against the wall. Akril panels are not suitable as a wall finish panel behind gas cook tops.

They can be used as a splashback behind electric, induction and ceramic cook tops with a minimum clearance of 50mm between the rear edge of the cook tops and the face of the Akril panel.

Do not use a knife to open the carton your Akril panel comes in as you can damage your panel with cutting implements when opening.

Akril is for use as an internal decorative panel only and not suitable for use outdoors.

Your Akril panel will expand and contract with temperature fluctuations, always ensure expansions gaps are allowed around the perimeter of each panel. Akril panels must always be stored inside and lied flat to prevent any potential bowing of the sheet.

---

## Technical Support

It is not practical to describe every possible application for Akril in this document.

This document is a guideline for installing Akril and will not wear any liability for waterproofing which should be installed to the current Australian Standard. For technical help please contact Akril on 1800 464 728.

---

# An Introduction to Akрил

Akрил is an Australian made high gloss decorative panel system that is manufactured in Australia. Akрил can be used in all areas across your home—kitchens, bathrooms, laundries— almost any vertical surface!

## Area Preparation



Hint— Use a straight edge to press Akрил onto the wall to ensure a flat finish

Always ensure your walls are clean, dry, smooth and free from any foreign materials. Ensure any fixings used to hold the backing substrate that is behind your Akрил panel are recessed or flush to prevent damage to your colour back by screw heads or nails etc. All backing substrates should be flush with no lipping or steps across different sheets.

Where you are installing your Akрил panel over existing tiles ensure they are structurally sound with no loose tiles. Where you have loose tiles remove completely and fill void with an appropriate filler. Clean all tiles thoroughly with a grease removing cleaner like sugar soap to remove any contaminants. Extremely high gloss tiles may need to be scuffed with coarse sandpaper to ensure correct adhesion with your silicone (see silicone manufacturers recommendations).

A suggestion is when installing multiple panels determine where your joins will be and identify the area that may be visible between these joins with your marker.

A good idea is to paint the back wall with a similar colour paint as to your Akрил panel to help reduce the visibility of your join.

## Handy Hints

Once you have completed all preparation and cutting don't forget to remove the protective film on the back (painted) side of your panel before adhering to your wall

Always leave the front protective film on the front of your panel until the very

last. This should be the last job after you have cleaned up your construction site.

When pushing your panel against a wall use a straight edge as this will ensure you have a nice flat installation rather than one that follows the contour of an uneven wall.

Use the packaging your panel came in to make up a template for cutting your sheet.

Use tile spacers to give you the correct spacing between sheets and your benchtop Masking tape on the painted back of your sheet where a hole is to be drilled can help prevent starring and damaging the paint.

When cutting your Akрил panel always cut through into a sacrificial board as this will help prevent vibration and chatter when cutting. You can use small pieces of double sided tape to hold your panel in place while your silicone cures.

# Akril Kitchen Splashbacks — Heat Tolerance

**Induction** *Figure 2* Akril can be used directly behind induction cook tops, reducing time and hassles associated with colour back glass.

**Electric | Ceramic Cooktops** *Figure 2*

Akril can be used directly behind electric and ceramic cook tops when covered with cookware. An exposed cook top emits far greater radiant heat than when covered and this can damage your splashback. Therefore Akril is only covered under warranty against normal wear and tear.

**Heat tolerance**

*Figure 1*

Do not leave your hot plate unattended.

Radiant heat will damage your Akril splashback and will void warranty.

**Gas Cooktops** *Figure 3* Akril must be used behind gas cooktops in conjunction with a non combustible materials such as glass, tiles or stainless steel.

Akril requires a minimum 150mm up stand behind the gas cooktop to comply with Australian standards.

Akril can be used above the 150mm non-combustible up stand.

Alternatively stainless steel, glass or tiles can run all the way to the range hood.

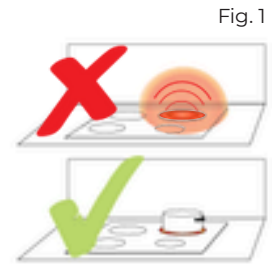






Fig. 1

Key

-  Akril Panel
-  Bench Top
-  Cooktop
-  Up Stand

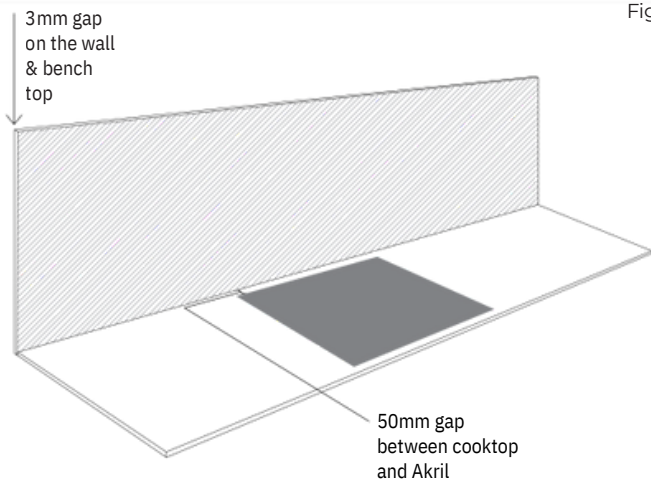


Fig. 2

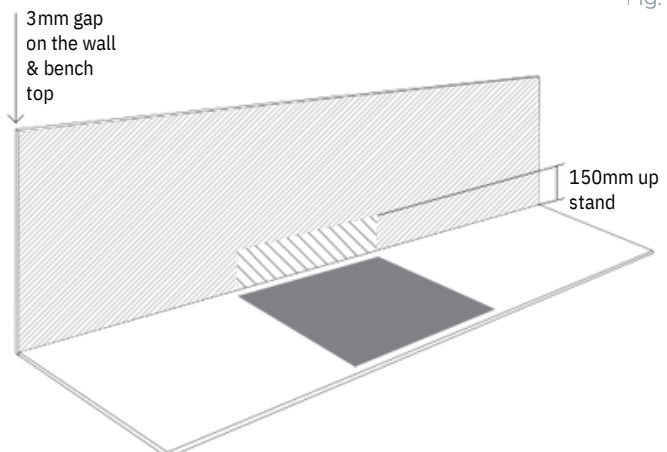


Fig. 3

# Cutting Your Akril Panel

## Circular Saw

Always cut Akril on a flat secured surface. (Figure 5).

With quality equipment, an excellent edge finish can be achieved with Akril. The main factors in achieving the best possible outcome with a circular saw are: Panel rigidity. Clamp the sheet on both sides of the cut.

Saw stability. Always use a good quality fence or guide to improve saw stability and straight-line cutting. Saw bearing quality. The price of a circular saw can be a good indication of the quality of the bearings used inside.

Cheaper saws often use bushes that offer little to limit the blade's sideways float, and will begin to wear quickly. This will have a dramatic impact on cut quality. Blade selection. Always use a blade with the correct cutting geometry. Aluminum blades generally work well with Akril.

Reduce the cutting depth to allow the blade to cut approximately 7mm through the Akril, preferably cutting into a sacrificial MDF board or similar.

## Circular Blade Geometry and Conditions

### Circular Blades for Akril.

Akril is best cut using fine-tooth Aluminum circular blades with either a "hollow ground" geometry or a "triple chip" blade with the following geometry and conditions;

Blade Diameter (mm)	255–305
Number of Teeth	80–100
Tooth Thickness (mm)	3–3.5
Clearance Angle	15–20°
Cutting Angle (Rake)	-5°
Cutting Angle of Setting Band	2–3°
Blade Speed (rpm)	3k–5k
Surface Speed (m/min)	3k–4k

## Hole Saws

Hole saws should be sharp, but the pilot drill blunt. It is recommended to drill the hole saw half way through, then turn the Akril over and finish the hole. This prevents the edge from "blowing out". De-bur the edge with 100-grit sandpaper.

## Cutting of Penetrations

When measuring and marking for cut-outs around power outlet boxes etc, ensure enough clearance is given for the switch body and that the cover plates or bulkhead fittings will cover the finished cut-outs.

Use an approved sealer to seal the edge and a 50mm perimeter of the painted side of any Cut Outs.

## Drilling Akril with a Blunt Drill Bit

Figure 4 Akril can be drilled using any normal drill bit that is slightly blunt. You can blunt a drill bit by first rubbing the tip with a coarse sand paper.

Alternatively you can use a Sutton Multi Purpose drill bit on a slow speed; being particularly careful to reduce the speed as you pass through the other side of your sheet of Akril.

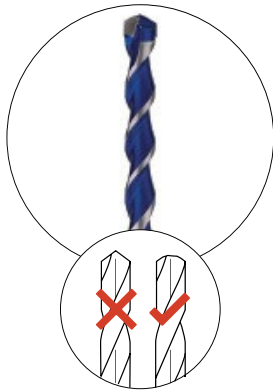
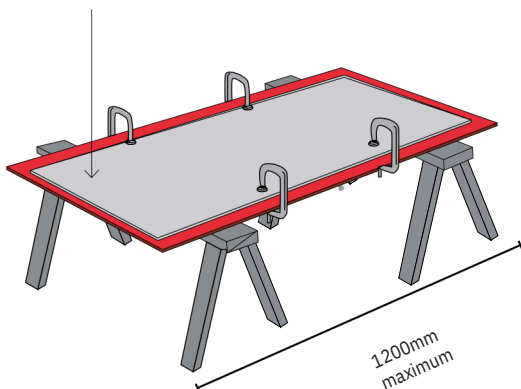


Fig. 4

Support Akril Panel back on plywood or MDF sheet or solid work top.

Fig. 5



# What Adhesive do I Use?

Figure 1

Akril recommends the following procedure when installing your panel behind electric cooktops. For areas around your cook top apply a 6mm thick bead of silicone vertically every 100mm the length of the panel. For directly behind your cook top apply 6mm bead of silicone vertically every 20mm the full width to a height of 350mm. When pressing your panel to the wall with your straight edge use enough force to compress the 6mm thick beads of silicone to approximately 2mm.

Akril recommend the use of a neutral cure translucent silicone when sealing and adhering your panels to the wall and sealing between them. Only premium quality neutral cure translucent silicones should be used, this will ensure there is no bleed through the painted finish.

Always follow the adhesive manufacturers instructions when using silicones in wet areas. The use of non recommended or lower quality silicones will void your warranty. Always ensure to test your silicone in an inconspicuous area as silicones can contain fillers that may damage your Akril panel.

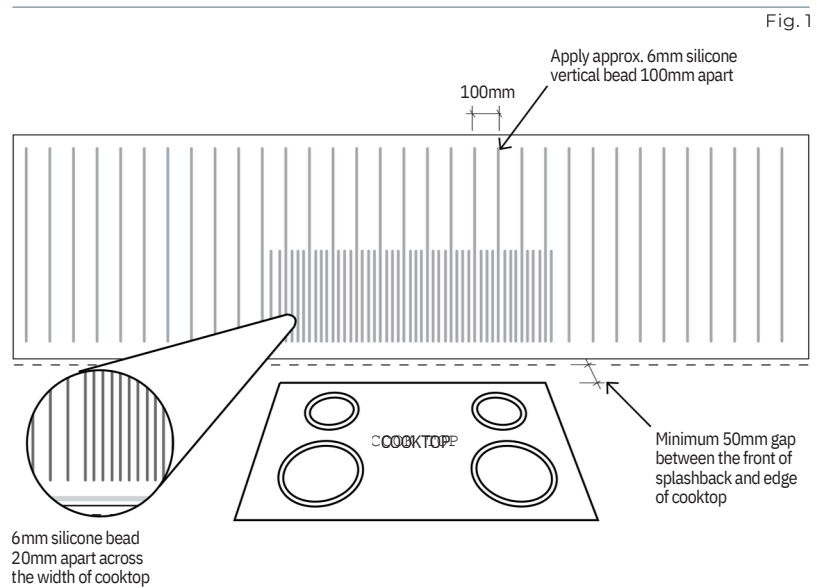
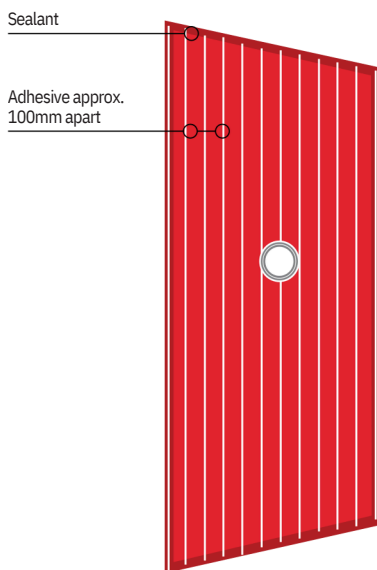


Fig. 2



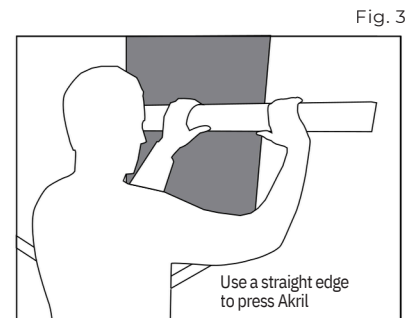
**Adhering to the Wall** *Figure 2* Each Akril sheet will expand and contract 4mm into and out of the corner silicone joint.

The first sheet will butt into the wall and allow for 4mm expansion while the second sheet will butt on to the

first Akril sheet allowing for expansion and contraction against the first

Akril sheet which was installed. This will reduce the visible joint line to 4mm instead of 8mm.

When laying your Akril panel to your wall with the use of your straight edge (*figure 3*) ensure sufficient force is used to reduce the gap between the panel and your wall to a maximum 2mm. This will ensure correct adhesion of your panel to the wall with your neutral cure silicone. Failure to do so could result in insufficient adhesion of your Akril panel to your wall and void your warranty.



# Joining Sheets Together

## Silicone Join

**General Silicone System** Silicone joining systems are acceptable for use in both wet and dry areas. In all instances standard glazing industry silicone joining practices must be followed. Use only neutral cure silicone when joining Akril.\*

\* Akril warranty does not cover adhesion of your silicone or damage that can be caused by its use. Seek manufacturers advice where required.

- Internal Corner
- External Corner
- Edge Cap
- Supplied by aluminum supplier*
- Butt Join
- Internal Mitred Corner
- External Standoff
- Internal Standoff
- External Mitred
- External Butt

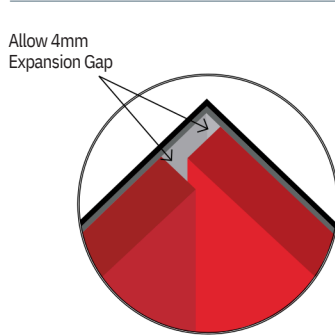


Fig. 4

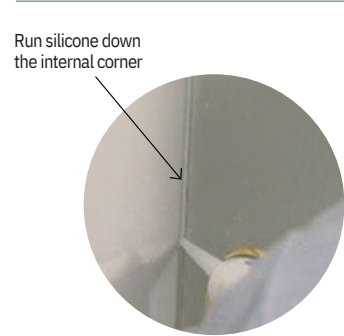


Fig. 5

**Sealing the Internal Corner** Akril suggest in accordance with water proofing standards a neutral cure silicone bead is run from the top of the Akril down the internal corner (*figure 5*) to the bottom of the shower base to seal the panel. This is to prevent any moisture penetrating down behind the lining.

Special attention should be paid to the top and bottom of the internal corner and anti-fracture membrane areas.

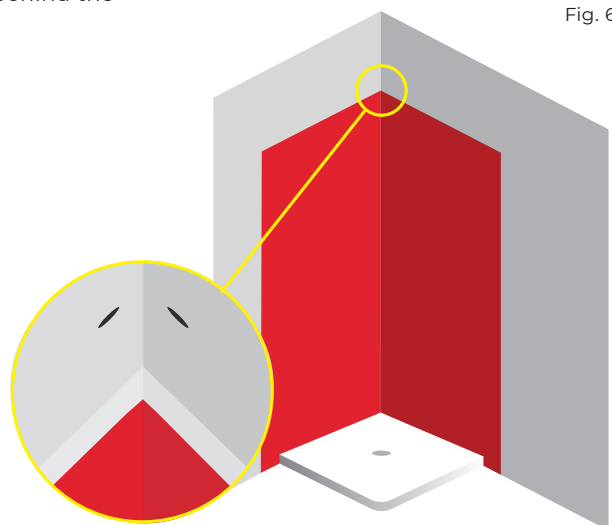


Fig. 6

Note: The waterproofing system for your bathroom or shower must meet specific Australia standard building regulations.

**What Adhesive do I Use? —**  
*Continued*

**Taps and Shower Fittings**

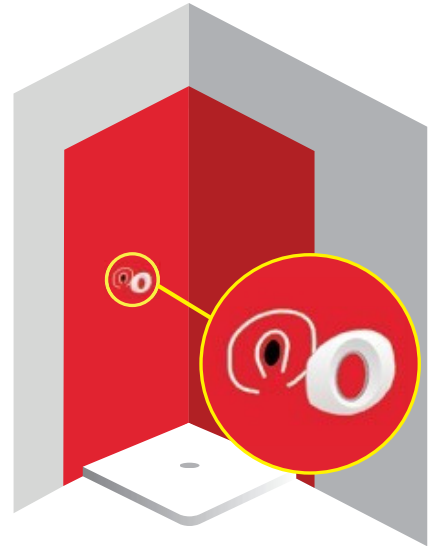
Fig. 1

Peel back protective film from front face of Akril, to 25mm beyond the outer edge of the tap spindle installed perimeter.

Apply a bead of recommended neutral cure clear silicone around the perimeter and a second bead around the cut out in your Akril panel.

Both beads should be finished as per the example in figure 1 leaving a break at the bottom of the bead allowing for condensation or moisture drainage.

Fix tap spindle as per manufacturer's instructions.



**Butting More Than 2 Sheets Together**

Measure and cut Akril Panel to size and geometry required. De-bur all edges.

Remove protective film from the rear of panel.

Apply adhesive to specification.

Install leading edge allowing 3mm expansion?

Press panel firmly with your straight edge ensuring to compress your silicone bead to the 2mm spacing between sheet and your wall allowing correct adhesion.

Ensure panel is a good fit onto the wall.

Clean up any adhesive that spills out onto the wall.

Fig. 2

4mm spacing between sheets

4mm spacing between sheets

Note. Leave protective film on front of panel until installation is complete.



# Bathroom Installation

**Sealing Edges, Perimeters and Cut Outs** *Figure 3* It is important to protect the rear (coated) side of Akril from moisture. Akril needs to be sealed with a band of neutral cure silicone extending 50mm from the edge of the panel.

This should include: The perimeter of the sheet including any cut outs made Perimeter of any penetrations made I.e. tape holes The edges of these cut outs

**Installing Akril into a Shower Tray** *Figure 4* Acrylic shower trays are commonly installed using the system detailed below. Acrylic tray should be mounted up to the bottom plate of wall in accordance with the manufacturer's installation instructions. A manufactures recommended water proof board should be laid against framing following manufacturer's instructions, down to within 6mm of shower tray. A neutral cure clear silicone should be installed between top of tray and bottom edge of wall lining in a continuous bead, then smoothed off as illustrated.

Fig. 3

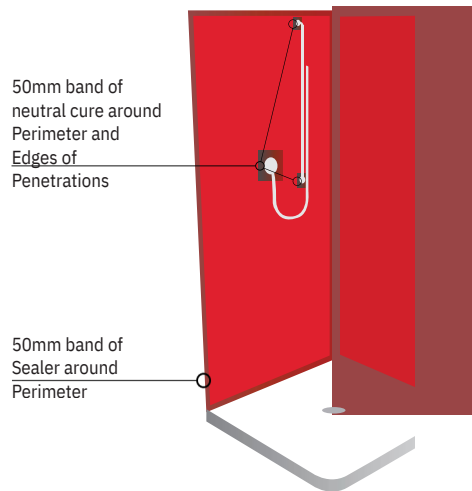
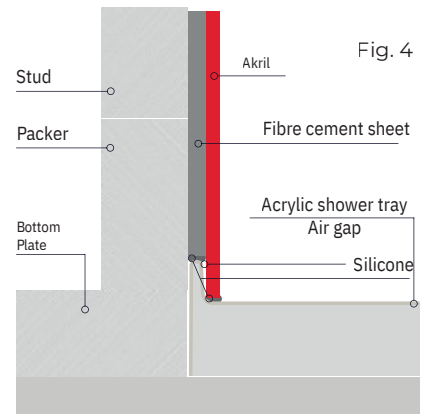
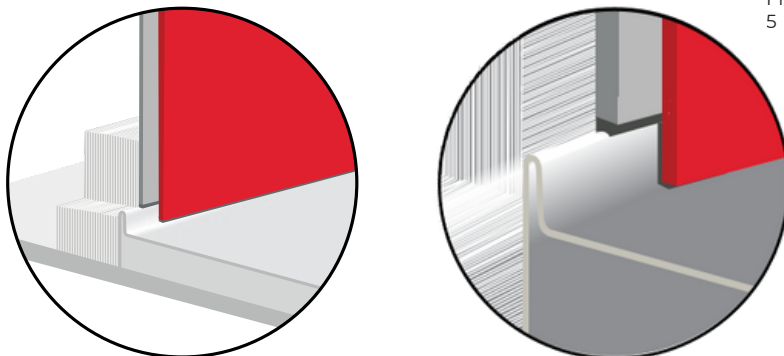


Fig. 4



Note: The waterproofing system for your bathroom or shower must meet specific Australian standard building regulations.

Fig. 5

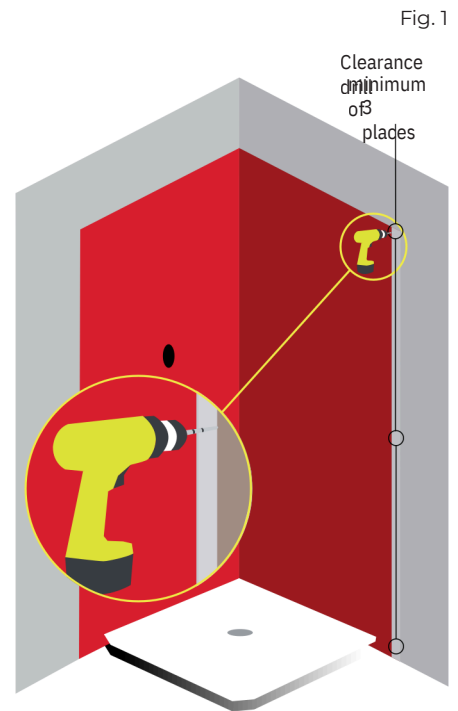


Akril is then installed over the wall lining and over the up-stand lip of the tray, as illustrated above with a bead of flexible caulking between the back of Akril and front of tray up-stand lip, and the top of tray and bottom edge of Akril. A gap should be left between the two caulking beads to act as a capillary break.

# Pre-drilling Screw Holes — Shower frame

Do not screw directly into Akril as it may cause the Akril sheet to split. All holes must be pre drilled where fixing through Akril into a wall. You cannot fix anything directly into Akril panels. Peel back protective film from front face of Akril, to the width of door return +25mm from the outer edge of Akril. Fit door returns in place ensuring they are in the correct position and plumb. Drill clearance holes through Akril and wall linings using a blunt drill bit outlined in detail for machining Akril.

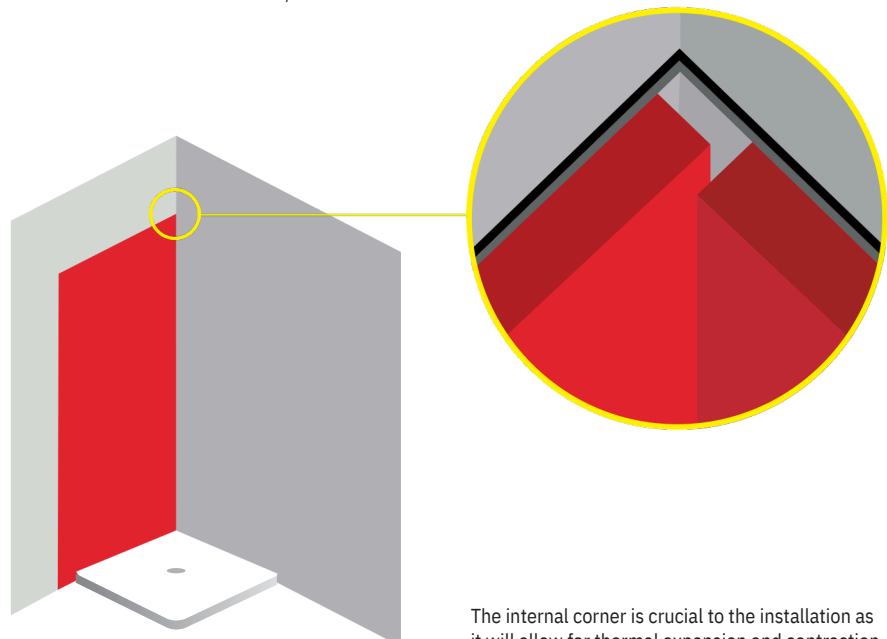
A minimum of 3 fixing points should be used in a 1.8m high shower.  
A minimum of 4 fixing points should be used in a 2m high shower.



# Installing the Internal Corner & Adhere Sheet

Remove the protective film from rear of Akril. Seal the perimeter and all penetrations and penetration edges with a band of neutral cure silicon or acrylic sealant extending 50mm from the edge of the panel as illustrated,above. Apply adhesive to rear of Akril as shown in the illustration,above.

Apply a bead of neutral cure clear silicone to the upstand lip of tray. Apply a bead of neutral cure clear silicone along the full height of the corner onto the liner at the edge of the anti-fracture membrane

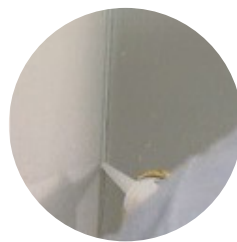


The internal corner is crucial to the installation as it will allow for thermal expansion and contraction.

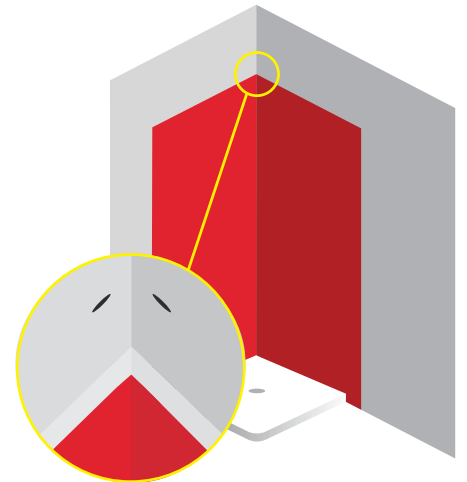
## Sealing the Internal Corner

Akril suggest in accordance with water proofing standards a neutral cure silicone bead is run from the top of the Akril down the internal corner to the bottom of the shower base to seal the panel. This is to prevent any moisture penetrating down behind the lining.

Special attention should be paid to the top and bottom of the internal corner and anti-fracture membrane areas.



Note: Run Silicone down internal corner for water proofing.

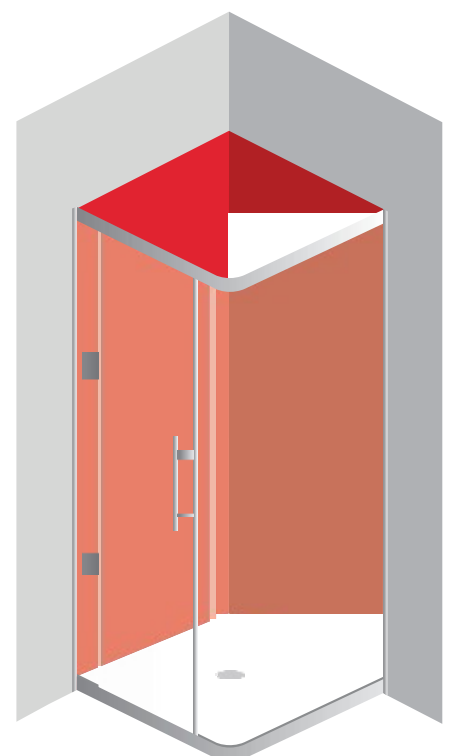


Note: The waterproofing system for your bathroom or shower must meet specific Australian standard building regulations.

## Fitting the Showerscreen & Utilities

Fit the Shower screen to manufactures specification. If the installer is required to fit any extra utilities or fittings to the Akril panel be sure to follow the steps listed in this document where machining or cutting is required.

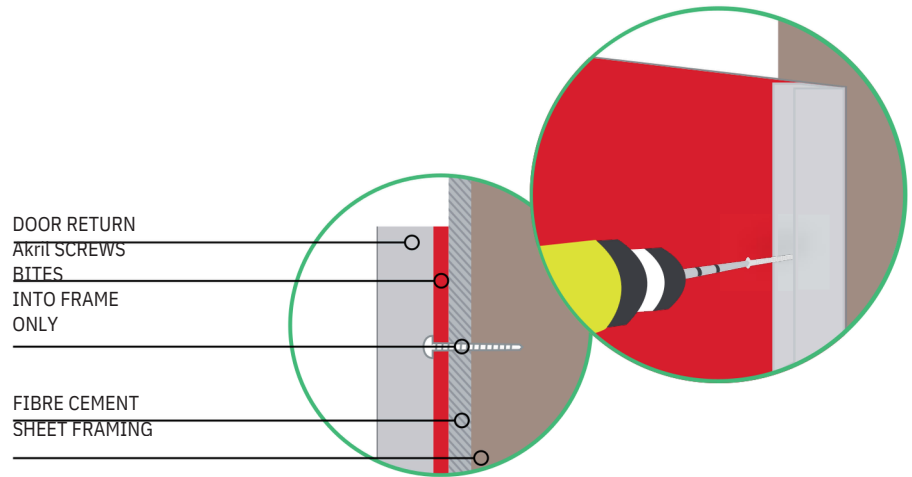
This document is a guideline for installing Akril and will not wear any liability for waterproofing which should be installed to the current Australian Standard.



# Shower Frames

Fit door returns back in place. Fill holes with neutral cure clear silicone before screwing to the wall.

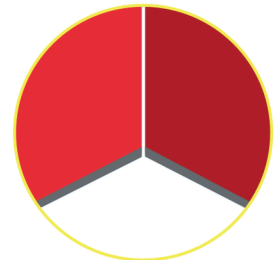
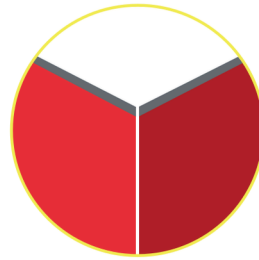
Check for plumb and position before final tightening of door return fastenings.



# Installing Internal & External Corners

Remove backing paper. Ensure there is an expansion gap of 3mm. Apply silicone to the perimeter of the panel to seal the panel to silicone specification Page: Press the face of the panel with a straight edge for surface adhesion with wall.

The internal and external corners are crucial to the installation as it will allow for thermal expansion and contraction. Each Akril sheet will expand and contract 3mm into and out of the corner silicone joint. The first sheet will butt into the wall and allow for 3mm expansion while the second sheet will butt onto the first Akril sheet allowing for expansion and contraction against the first Akril sheet which was installed. This will reduce the visible join line to 3mm instead of 6mm.



3MM EXPANSION GAP

## Removing Protective Film

Akril is supplied with protective film on both sides:  
 Recycled Sticker: Akril is also supplied with a recycled sticker number 7, which should be left on the Akril for its recycled life after use.  
 Painted Side: has a plastic film design for protection of the painted surface. Remove this film when all machining operations are complete and the panel is ready to be adhered to the wall/surface.  
 Exposed Side: has a clear plastic film designed for protection against scratches.

Remove the film completely at the very last stage by gently peeling down the sheet surface – never peel at right angles to the sheet as this may pull the sheet away from the installed wall/surface.  
 Never attempt to cut the protective films with a knife as this may scratch the surface.

## Finishing the Edge After Cutting

If the Akril edge is to be left exposed, it can be easily finished to a polished glass-like quality. A good finish left from the machining process will take considerably less time to finish. Always peel back the protective film 25mm from the edge while polishing. Remove any sanding dust between grades and polishing compounds immediately.

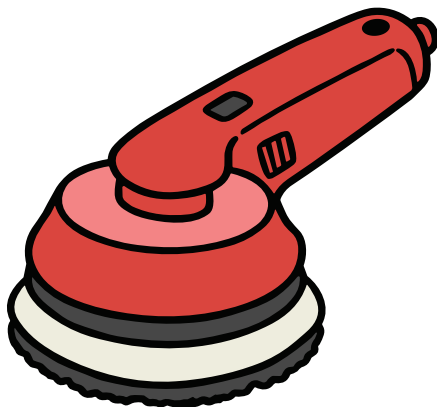
### HAND FINISHING

1. Use an 800 grit wet and dry sandpaper to remove any cutter marks from the machined edge.
2. Chamfer any burrs or marks from the corners.
3. Using a soft, clean cloth and a suitable polishing compound, hand rub the edge to a polished finish.

### FLAME POLISHING

A well-machined edge can be flame polished using a Hydrogen/Oxygen mix.

Contact an Acrylic fabricator for this service. An experienced operator can leave an excellent finish.





# Shower Bases



Niches

TORBEX

## SHOWER BASE

Premium Stain  
Resistance

Code	Width (mm)	Length (mm)	Outlet Position	Weight (Kgs)	Height	Lips
54770	900	900	Centre Rear	11	30mm	4 Lip
54772	1200	900	Centre Rear	14	30mm	4 Lip
54771	1000	1000	Centre Rear	13	30mm	4 Lip
54782	900	900	Centre Rear	11	40mm	3 Lip
54783	900	900	Centre Centre	11	40mm	3 Lip
54784	900	900	Centre Rear	11	40mm	4 Lip
54785	900	900	Centre Centre	11	40mm	4 Lip
54786	1200	900	Centre Rear	13	40mm	3 Lip
54787	1200	900	Centre Centre	13	40mm	3 Lip
54788	1200	900	Centre Rear	13	40mm	4 Lip
54789	1200	900	Centre Centre	13	40mm	4 Lip
54768	900	900	Centre Rear	7	13mm	3 Lip
54769	1200	900	Centre Rear	9	13mm	3 Lip

Low 30mm Profile

4 Lip



54772

40mm Profile

4 Lip



54788



54789



54784



54785

3 Lip



54787



54786



54782



54783

TORBEX

## TILE OVER NICHE

Structural - Screws  
Included

Code	Width (mm)	Length (mm)	Outlet Position	Weight (Kgs)	Single Cavity
54890	320	365	90	3	*
54891	600	365	90	4	*
62521	700	300	90	4	*
54892	900	365	90	6	*
62522	1000	300	90	6	*
62523	1400	300	90	10	*



54790



62521



62522



62523

# Slim Line Torbex Shower Base



## Product Code

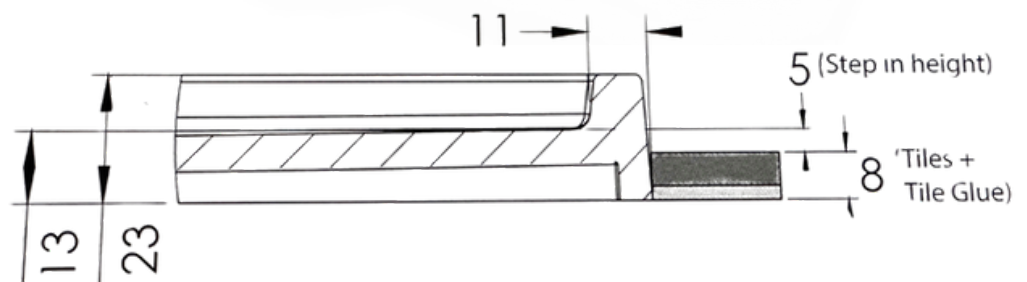
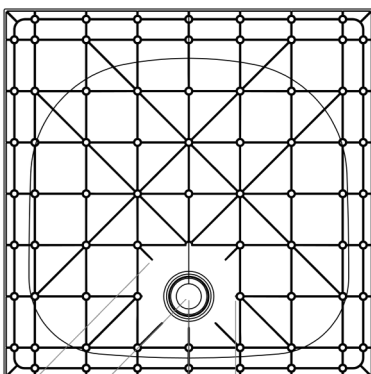
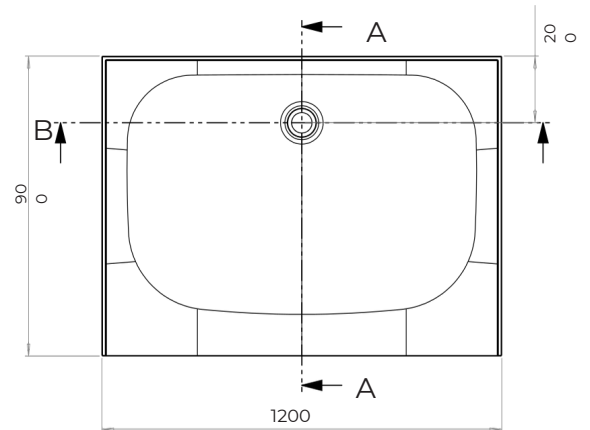
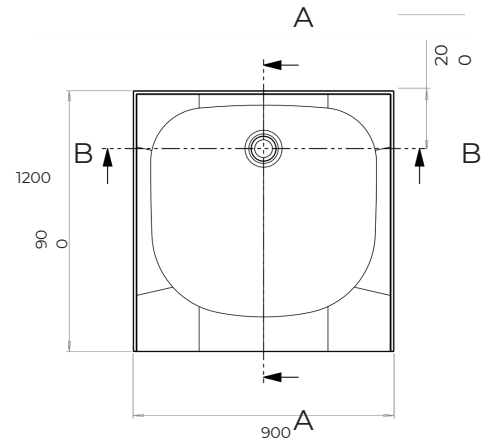
54768  
54769

## Description

900 x 900 slim line shower base  
1200 x 900 slim line shower base

The new Australian Made Torbex Shower Base can be installed to comply with the NCC 2022 regulations allowing a step of no more than 5mm.

- Made with Recycled Content
- Stain and UV Resistant
- Can be Installed to NCC Compliance
- Low 13mm Lip for low step in
- 3 Lip Design & Self Supporting
- 7 year Manufacturer's Warranty
- Australian Made
- Flat Area underside for Smart Waste/Pan Installation



# Shower Bases



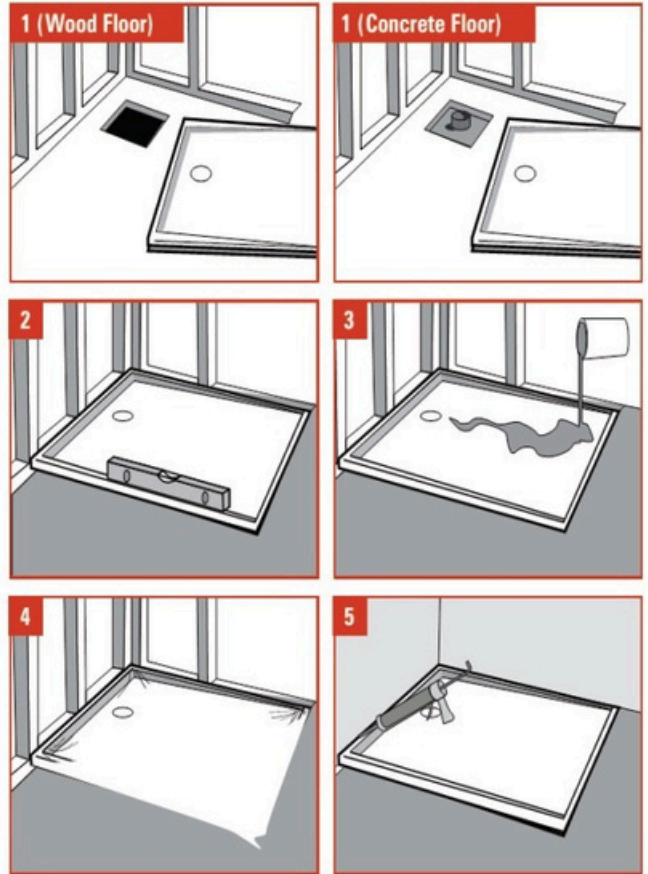
## Installation

# Akril Shower Bases

The lowest profile shower base on the market also provides a simple, elegant option to complete your bathroom.

## Installation

- Floorboards or sheet flooring must cover the entire underside of the showerbase. Cut a hole through the floor no greater than 200mm x 200mm. Concrete should be cut wider at 300mm x 300mm. If you are doing a renovation, the floorboards must be checked for durability as rotting may have occurred and the flooring may need to be replaced.
- The shower base can be installed on silicone over the total base area. Lay the base on the floor and check that it is level on all sides including the front and the rear. This will ensure that the base drains effectively to the waste outlet. Note: If your floor is not level, use a mortar bed spread over the floor with a 12mm notched trowel to ensure the base is fully and evenly supported.
- To ensure the shower base is installed correctly complete water run off test to the waste outlet prior to commencing the installation of the shower walls. This will ensure the shower base is draining correctly.
- It is highly recommended that you cover and protect the shower base throughout installation and until it comes into service.
- Finally apply silicone to the bottom edge of the shower wall to the shower base before the screen is fitted.



Please note this is not a comprehensive installation guide. Please refer to the full installation manual at [www.akril.com.au](http://www.akril.com.au)

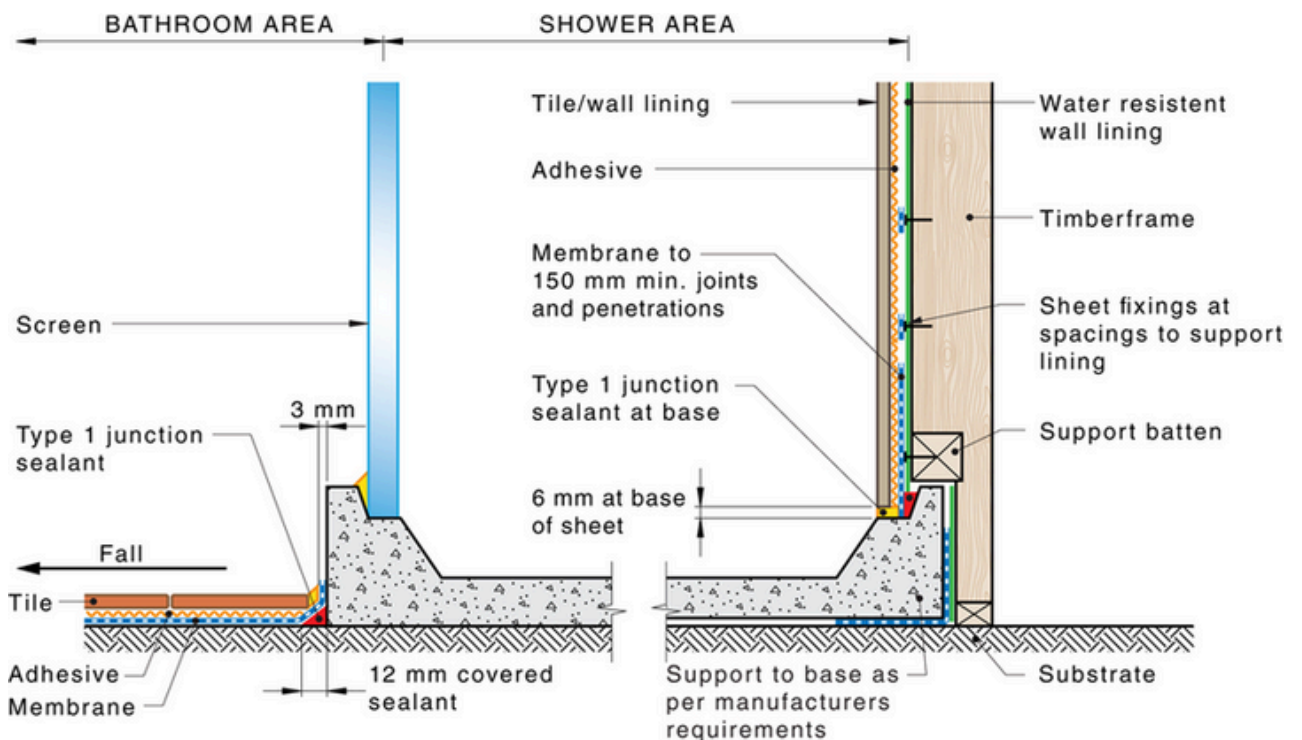




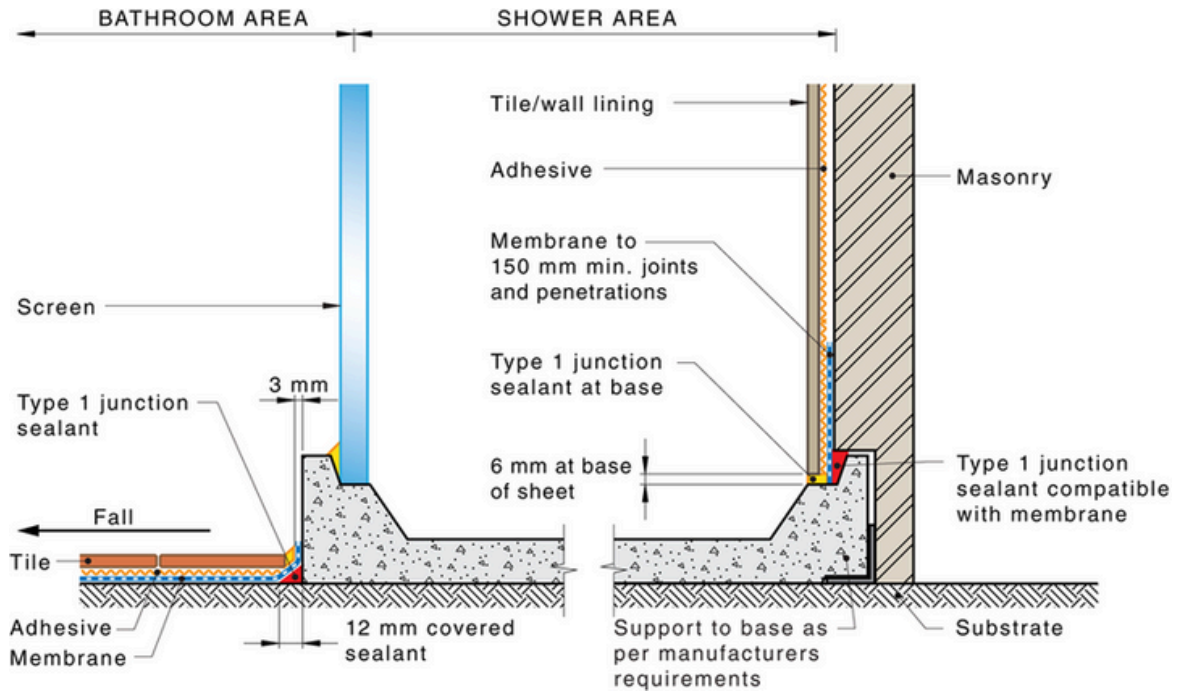
Shower Base Manufacturing Line: Bayswater North, Victoria

## Diagrams

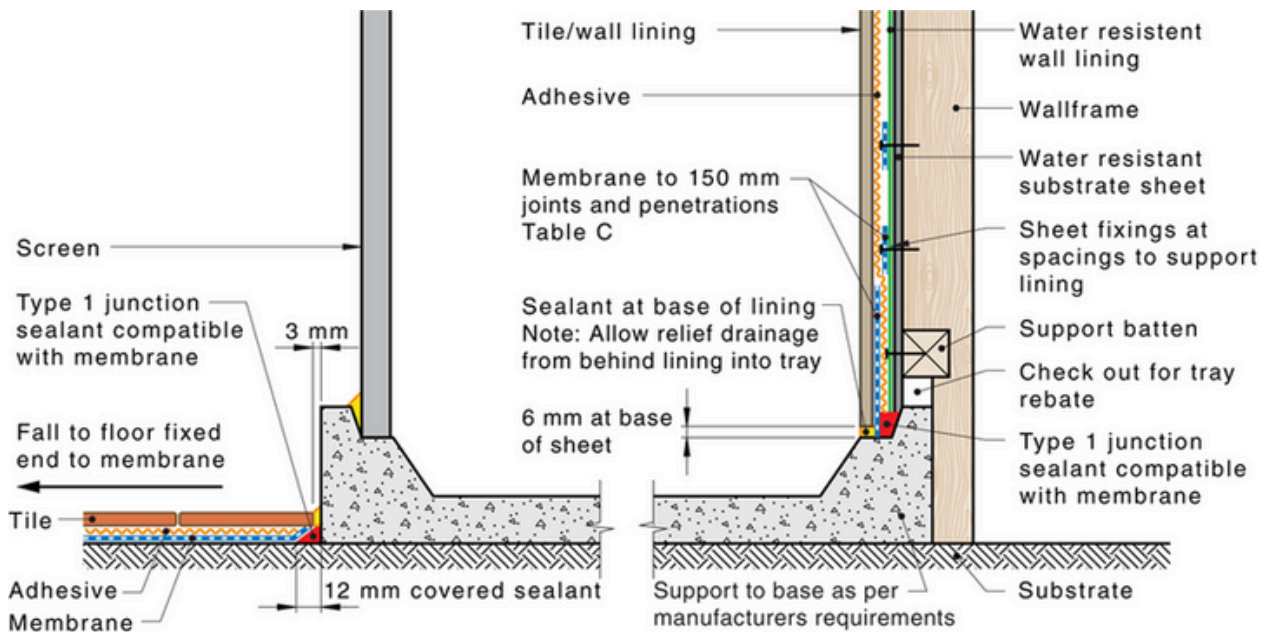
Section through stud wall with self-supporting prefinished wall panels and preformed or cast shower bases



# Section through rendered masonry wall and preformed or cast shower base

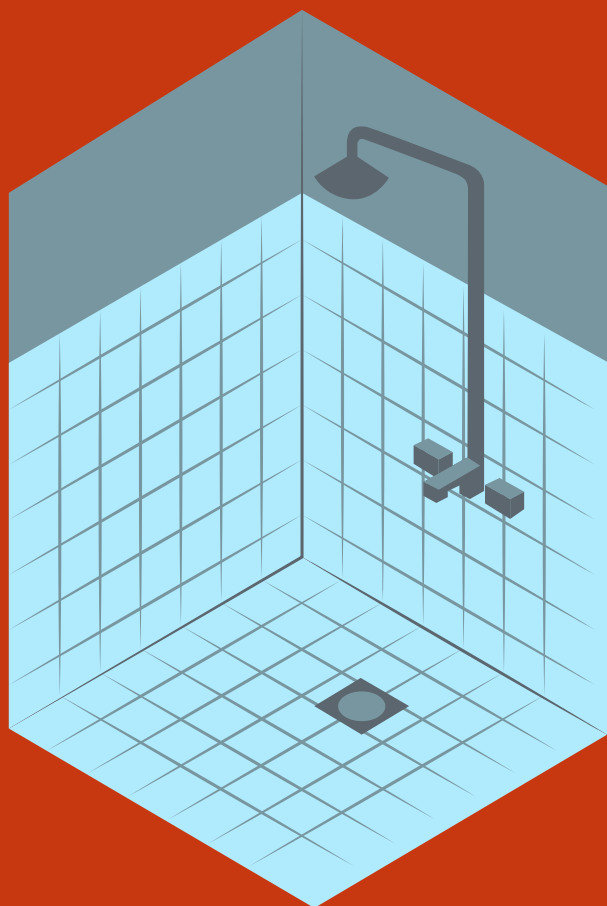


# Preformed shower base checked into wall, frame or render





# Tile Over Trays & Niches

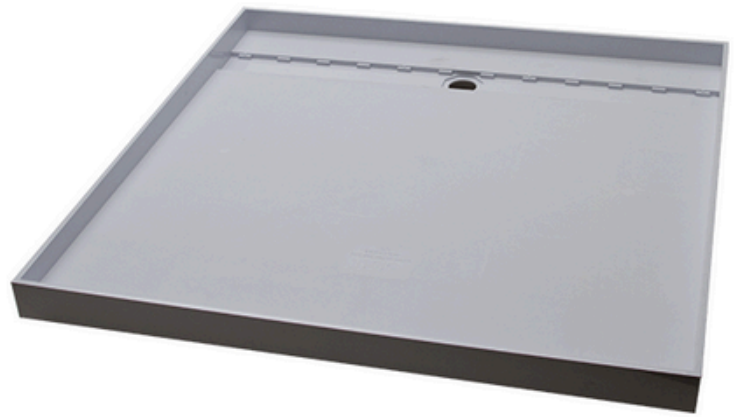
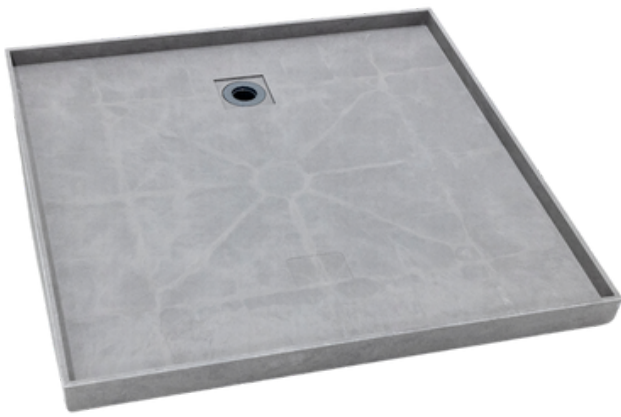


# TORBEX TILE OVER TRAY

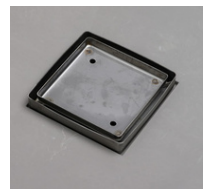
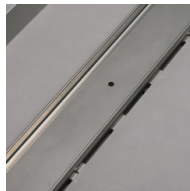
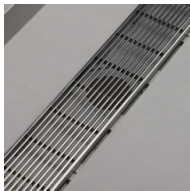
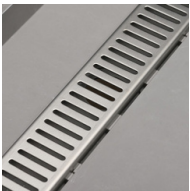
Structural - Level Entry

Rear Outlet

Rear Grate



## STAINLESS GRATES & OUTLET



Punched Grate

Wire Grate

Tile Insert Grate

Square Outlet

Round Outlet

Tile Insert Outlet

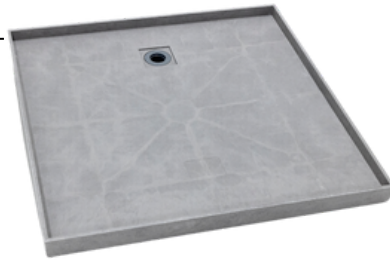


**TORBEX  
TILE OVER TRAY**

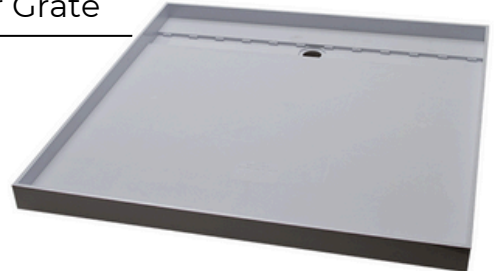
Structural - Level  
Entry

Code	Width (mm)	Length (mm)	Outlet Position	Structural	Outlet	Grate
54700	900	900	Centre Rear	*	*	
54702	1200	900	Centre Rear	*	*	
54701	900	900	Centre Rear	*		*
54703	1200	900	Centre Rear	*		*
54706	900	1200	Centre Rear	*		*
54707	1500	1000	Centre Rear	*		*
54708	1800	1000	Centre Rear	*		*
54709	2100	1000	Centre Rear	*		*

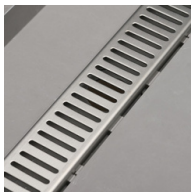
Rear Outlet



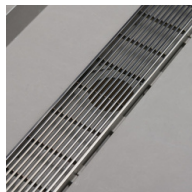
Rear Grate



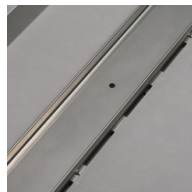
**STAINLESS  
GRATES &  
OUTLET**



Punched Grate



Wire Grate



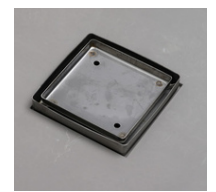
Tile Insert Grate



Square Outlet



Round Outlet



Tile Insert Outlet

**SHOWER WALL  
AKRIL POLYMER  
WALLS**

Width (mm)	Length (mm)	Thickness (mm)	Weight (Kgs)
900	2440	4	12
1220	2440	4	15



Akril 1500mm Tile Over Tray Rear Grate  
Akril 1400mm x 300mm Wall Niche

## Tile Trays & Matching Grates

- 54700 - Tile Tray 900 x 900mm - Rear Outlet
- 54702 - Tile Tray 1200 x 900mm - Rear Outlet
- 54701 - Tile Tray 900 x 900mm - Rear Grate
- 54703 - Tile Tray 1200 x 900 mm - Rear Grate
- 54706 - Tile Tray 900 x 1200 mm - Rear Grate
- 54707 - Tile Tray 1500 x 1000 x 60mm - Rear Grate
- 54708 - Tile Tray 1800 x 1000 x 60mm - Rear Grate
- 54709 - Tile Tray 2100 x 1000 x 60mm - Rear Grate

### Outlets To Suit Rear Outlet 54700 & 54702

- 11730 - Square chrome drain cover
- 11740 - Round chrome drain cover
- 11750 - Tile Insert chrome adjustable square drain cover

### Grates To Suit 54701 & 54706

- 11781 - 840 mm channel grate SS - Punched - 12.7mm
- 11720 - 840 mm channel grate SS - Tile Insert - 11mm
- 11783 - 840 mm channel grate SS - Wire style - 12.7mm
- 11780 - 860 mm channel grate SS - Punched - 12.7mm
- 11721 - 860 mm channel grate SS - Tile Insert - 11mm
- 54716 - 860 mm channel grate SS - Wire style - 12.7mm
- 11756 - 840 mm channel grate SS - Tile Insert - 17.7mm
- 11758 - 860 mm channel grate SS - Tile Insert - 17.7mm

### Grates to Suit 54703 & 54707

- 11782 - 1140 mm channel grate SS - Punched - 12.7mm
- 11722 - 1140 mm channel grate SS - Tile Insert - 11mm
- 11759 - 1140 mm channel grate SS - Tile Insert - 17.7mm
- 11784 - 1140 mm channel grate SS - Wire style - 12.7mm

### Grates To Suit 54703 ONLY

- 11723 - 1160 mm channel grate SS - Tile Insert - 17.7mm
- 11724 - 1160 mm channel grate SS - Tile Insert - 11mm
- 11785 - 1160 mm channel grate SS - Punched - 12.7mm
- 54717 - 1160 mm channel grate SS - Wire style - 12.7mm

### Grates To Suit 54708 & 54709

- 11725 - 1430 mm channel grate SS - Tile Insert - 11mm
- 11751 - 1430 mm channel grate SS - Tile Insert - 17.7mm
- 11786 - 1430 mm channel grate SS - Punched - 12.7mm
- 54735 - 1430 mm channel grate SS - Wire style - 12.7mm

#### Note:

- 840mm and 1140mm grates suit 3 wall shower
- 860mm and 1160mm grates suit corner shower
- 11mm depth grate suits 0 – 8mm tile thickness
- 17.7mm depth grate suits 9mm + tile thickness

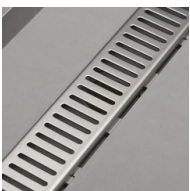
**Airlock may occur if tile insert grate is not tiled correctly. Ensure tiles in the tile insert are installed 4mm or more above the height of the tiles on the tile tray to ensure no airlock occurs.**



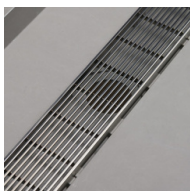
STAINLESS

GRATES &  
OUTLET

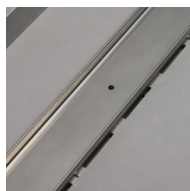
## Level Floor Shower Entry



Punched Grate



Wire Grate



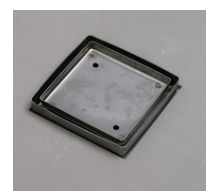
Tile Insert Grate



Square Outlet

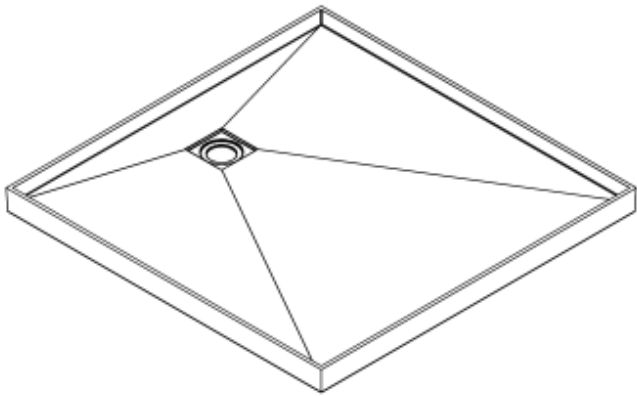


Round Outlet

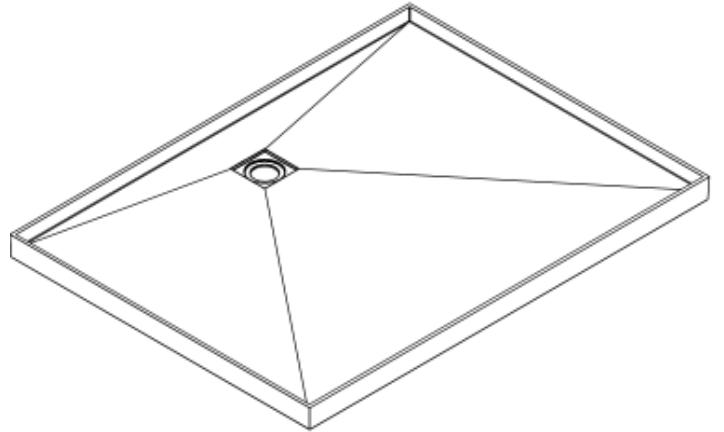


Tile Insert Outlet

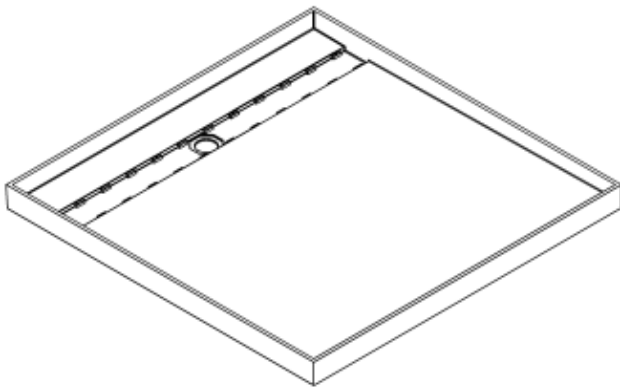
# 1. Overview - Product Range



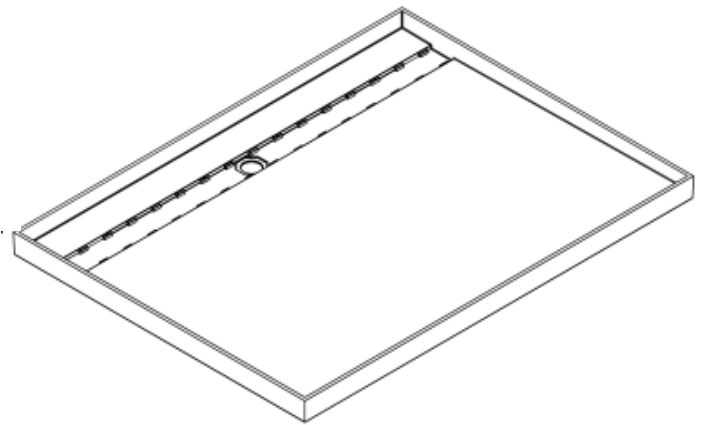
Akрил TT Waste Base Only 900x900



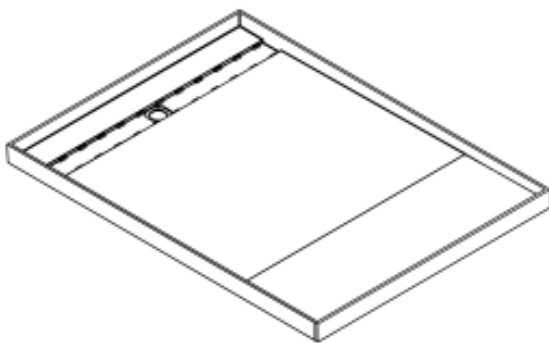
Akрил TT Waste Base Only 1200x900



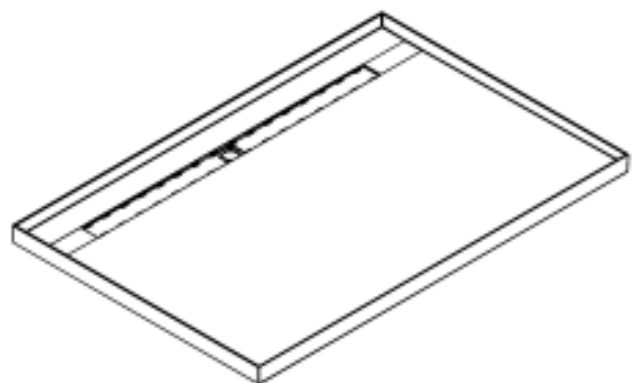
Akрил TT Channel Base Only 900x900



Akрил TT Channel Base Only 1200x900

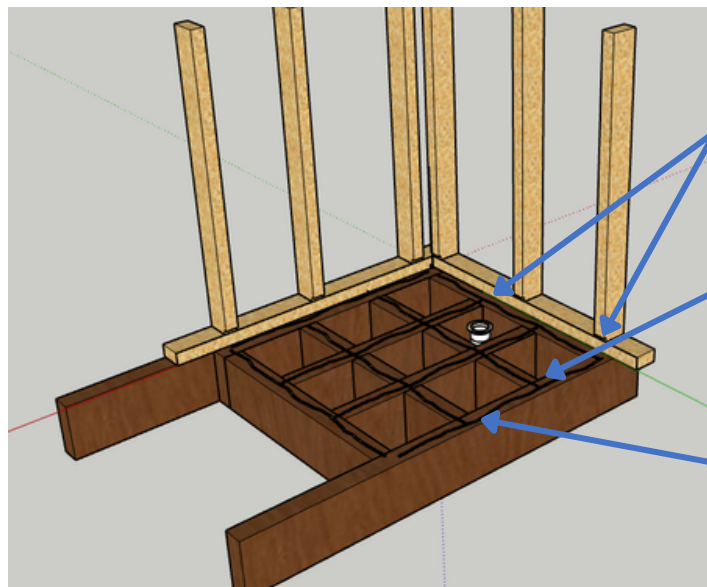


Akрил TT Channel Base Only 900x1200



Akрил TT Channel Base Only 1500 x 1000

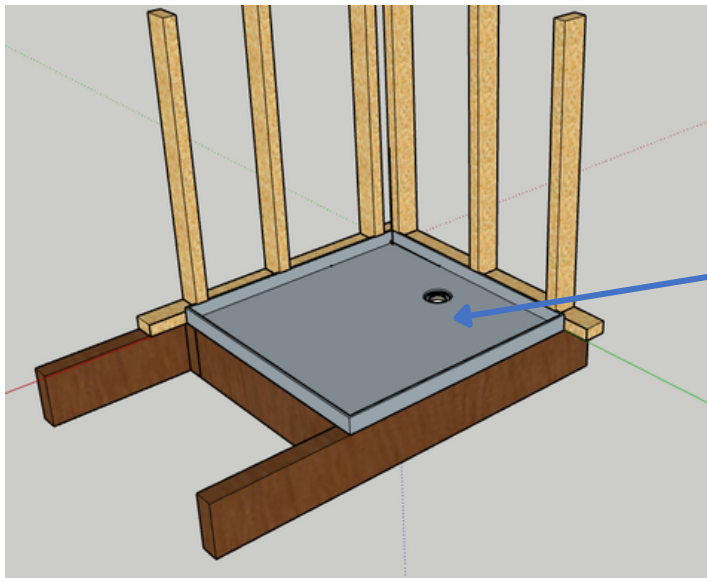
## 2. Installation Overview



2.1 Check out wall studs as required

2.2 For timber base Install support joists/trimmers - refer Section 3  
For concrete base – refer also Section 3

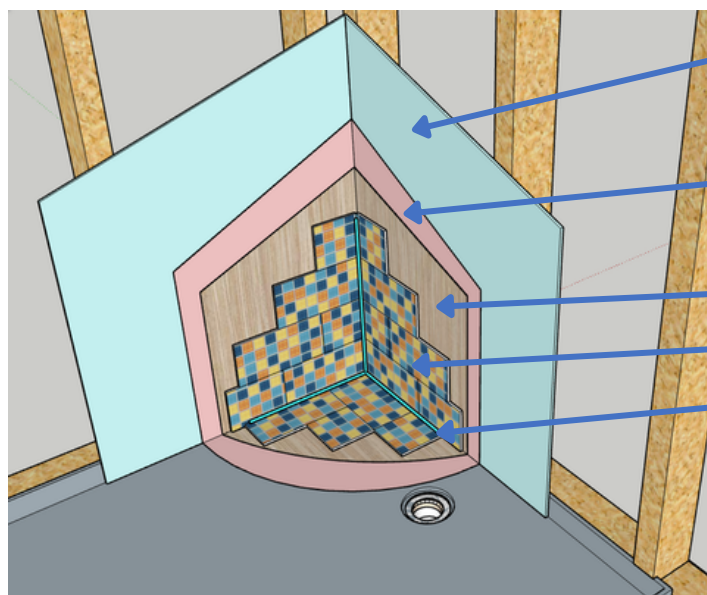
2.3 Apply a continuous bead of adhesive to the underside perimeter of the tray.  
Apply adhesive to internal trimmers or concrete base as appropriate.  
Refer Section 8 for recommended adhesives  
For concrete base use mortar or slurry



2.4 Trim Tile tray as required – refer Section 4 and 5

2.5 Attach waste outlet to tile tray – refer Section 9

2.6 Install tile tray – refer Section 3



2.7 Install wall sheeting refer manufacturers installation instructions

2.8 Install waterproofing - refer Section 6

2.9 Install tile adhesive

2.10 Install tiles

2.11 Apply caulking material

FIGURE B: INSTALLATION OVERVIEW

### 3. Installation

#### Installation to Timber floor (Ground floor, 1<sup>st</sup> floor and above)

##### Preliminary

Ensure subfloor is sound and if required replace any timber that may be affected by weather damage or rotting.

##### Installing the tray - refer also to installation diagrams – Figure D (Page 7)

3.1 Centre base on joists to be trimmed out. Tile Tray must be fully supported around all edges and also can span no greater than demonstrated in Figure C (Page 6)

Failure to follow floor detail will void warranty. Floor joists and trimmers must be flat, planing or sanding off any ridges is recommended before installation. Trim edges of base to support join of flooring and Tile Tray.

3.2 Ensure that the joists are level; the tile tray is designed with fall to the drain. If the joists are not level this may distort the base and affect the flow of water.

3.3 Install Waste outlet connector – refer Section 9

3.4 Install base with adhesive; apply a continuous bead to the underside perimeter of the tray. Apply adhesive to trimmers as appropriate.

Ensure the adhesive has a clean surface to adhere to.

Always use a flexible adhesive when adhering to a substrate (e.g. Sikaflex-11FC) – refer Section 8

3.5 After installation onto the substrate, apply downward pressure and check the tile tray is level. Ensure adhesive is fully cured before continuing the installation.

3.6 It is essential to test for water run off to the waste outlet prior to commencing the installation of the waterproofing and subsequent shower walls and tiling. This will ensure the tile tray is draining correctly. At times during installation and airlock may occur within the plumbing which can have an adverse effect on the drainage of the tile tray. If this occurs, it is recommended to use a plunger to remove this airlock.

#### Installation to Concrete Slab

##### Preliminary

Ensure the area is level and will allow water to flow to outlet when tray is installed (NB : tray has in-built fall to waste)

##### Installing the tray - - refer also to installation diagrams – Figure D (Page 7)

3.7 Tray must be installed on mortar bed or slurry

3.8 Void area around outlet can be no greater than 300mm x 300 mm

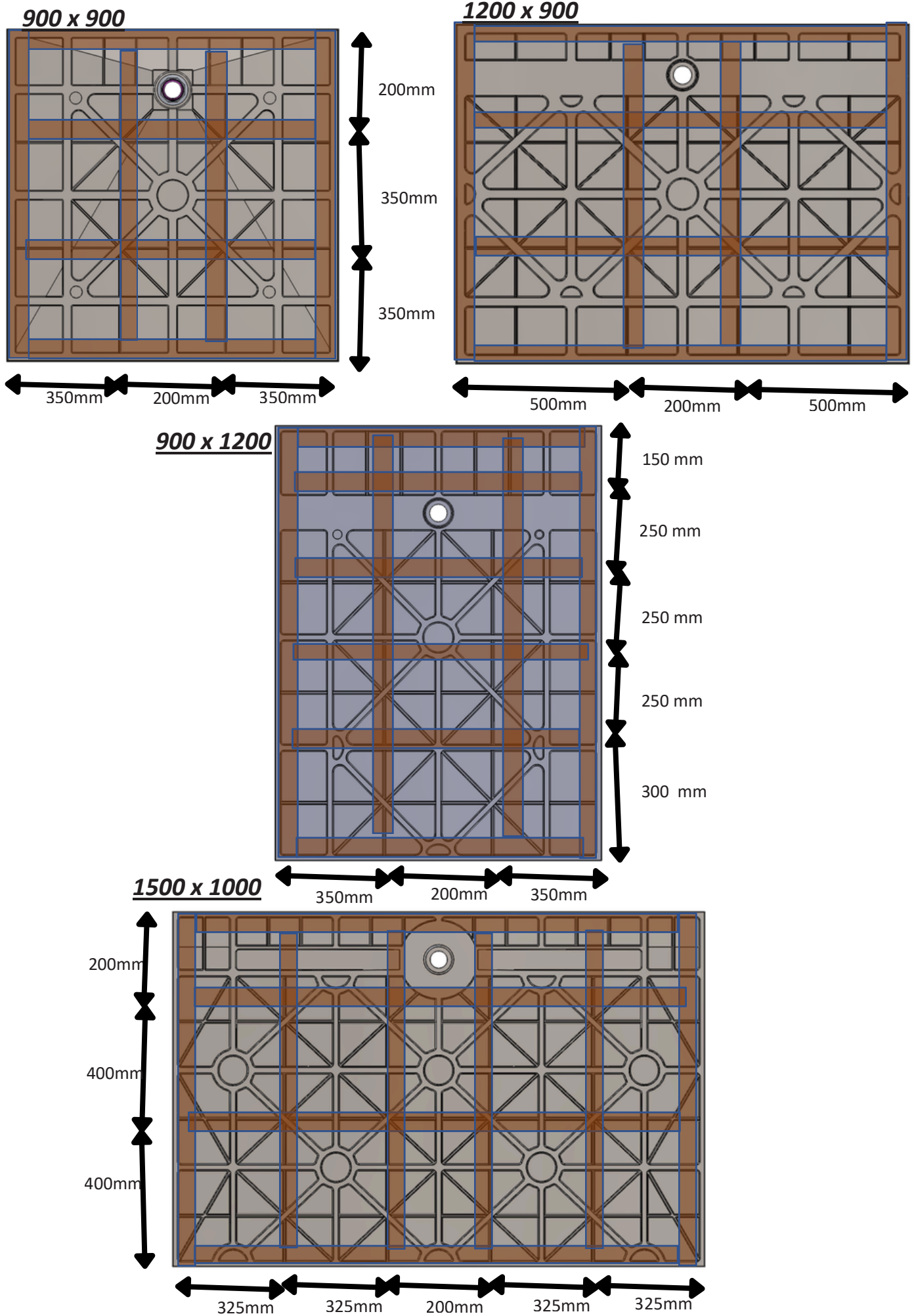
3.9 After installation onto the substrate, apply downward pressure and check the tile tray is level. Ensure mortar/slurry is fully cured before continuing the installation

3.10 It is essential to test for water run off to the waste outlet prior to commencing the installation of the waterproofing and subsequent shower walls and tiling. This will ensure the tile tray is draining correctly. At times during installation and airlock may occur within the plumbing which can have an adverse effect on the drainage of the tile tray. If this occurs, it is recommended to use a plunger to remove this airlock. Ensure the Tile tiled in the tile insert is not lower than the tile on the tile tray. If the tile installed in the tile insert is lower than the tile on the tile tray and air lock will occur and will require rubber lugs to lift the tile insert higher to clear the air lock.

# 3. Installation (Cont'd)

FIGURE C : FLOOR JOIST DETAILS (TYPICAL)\*

\*NB; Minimum Joist/trimmer size = 90 x 35 F17

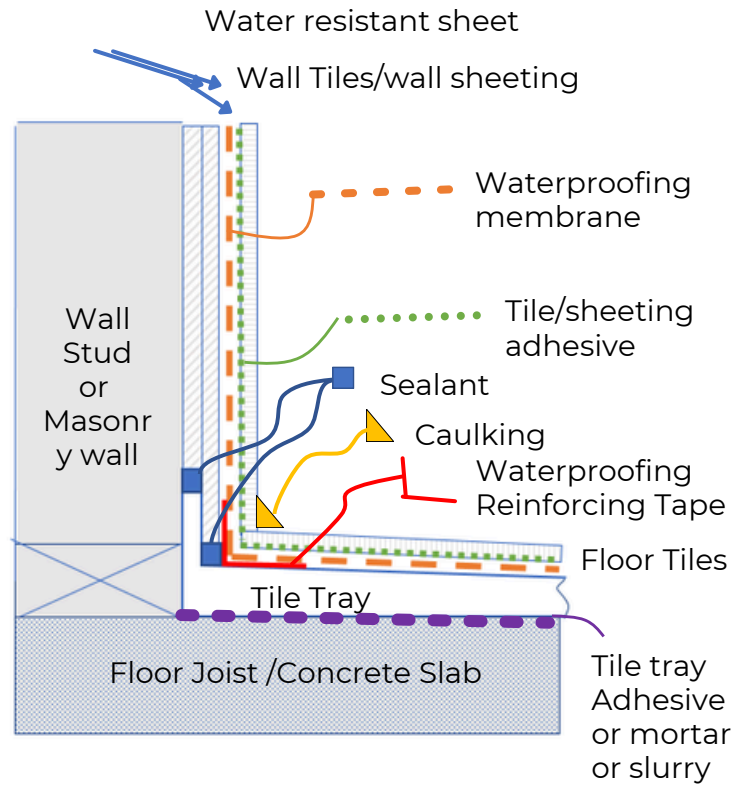
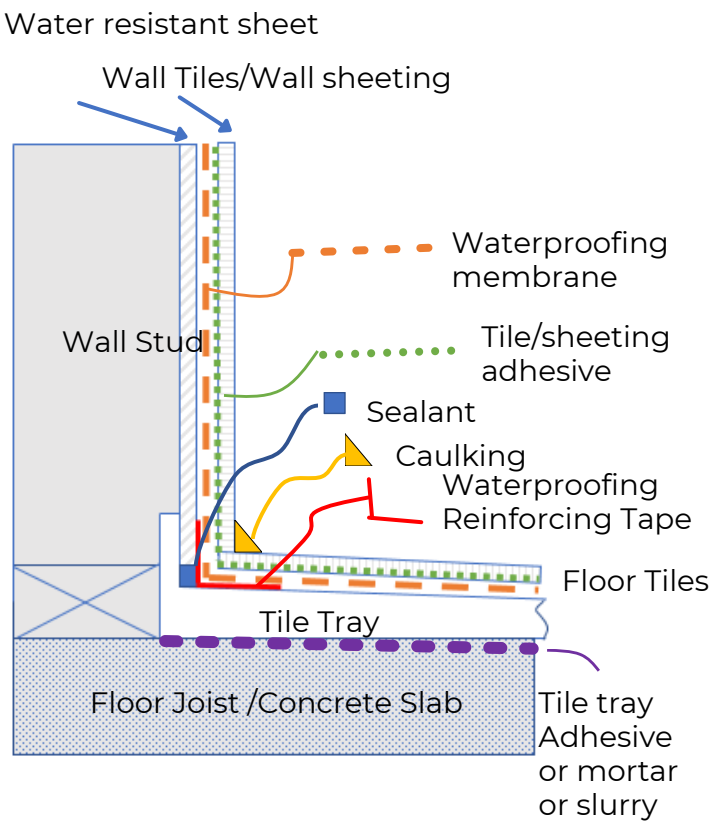


### 3. Installation (Cont'd).

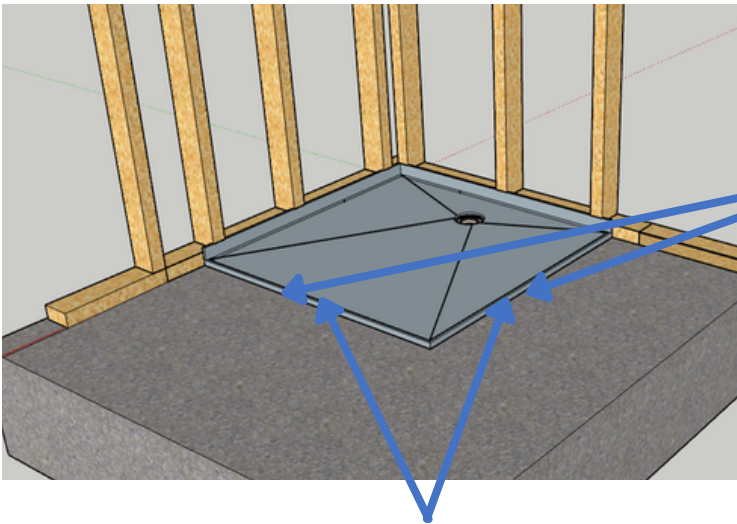
FIGURE D: INSTALLATION DETAIL (TYPICAL).

#### Checked in

#### Not Checked in



### 4. Trimming - Overview



4.1 Trim edges of tile tray as required. Refer trimming diagrams in Section 5 for typical examples

It is recommended to use a diamond saw blade in a well-ventilated area.

Ensure that appropriate PPE is worn, such as eye protection and a dust mask.

4.2 Apply sealant at interface of the tile tray and the flooring/concrete

4.3 Install waterstop and expansion joint at interface between tiles on the tray and tiles on the flooring/concrete

4.4 Install waterproofing to conform to AS3740 – refer Section 6

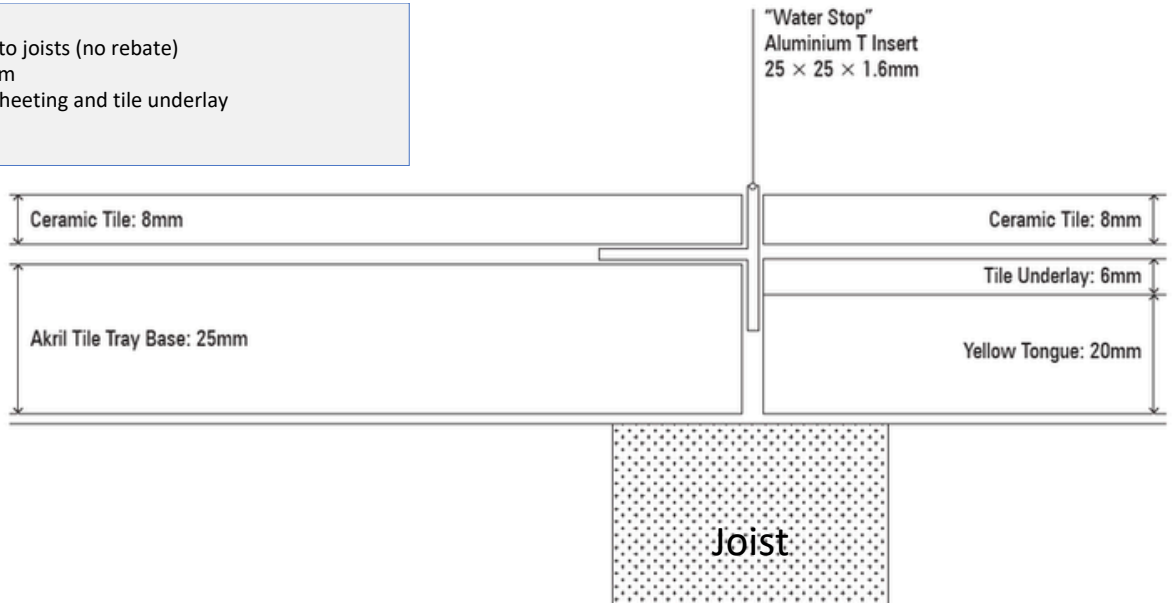
NB: A hob can also be incorporated if required

Hob is recommended to be placed on the Tile tray side of the interface

# 5. Trimming Diagrams – Typical Examples

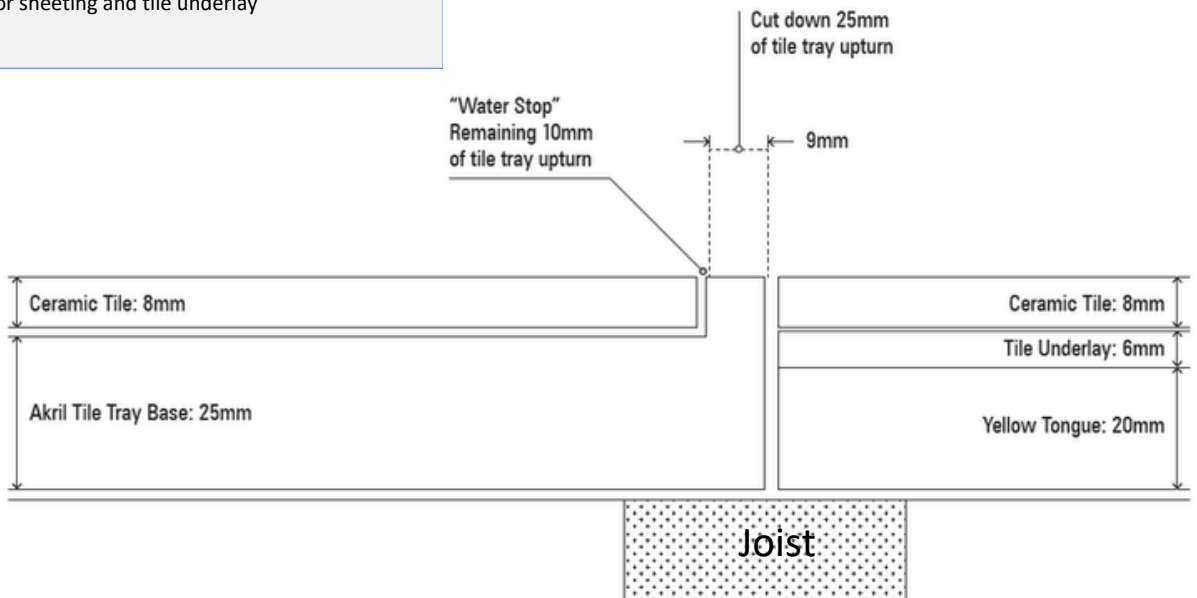
## 5.1 – Example 1

- Tile tray installation - Direct to joists (no rebate)
- Tile tray trim - Full Trim
- Floor Substrate - Floor sheeting and tile underlay



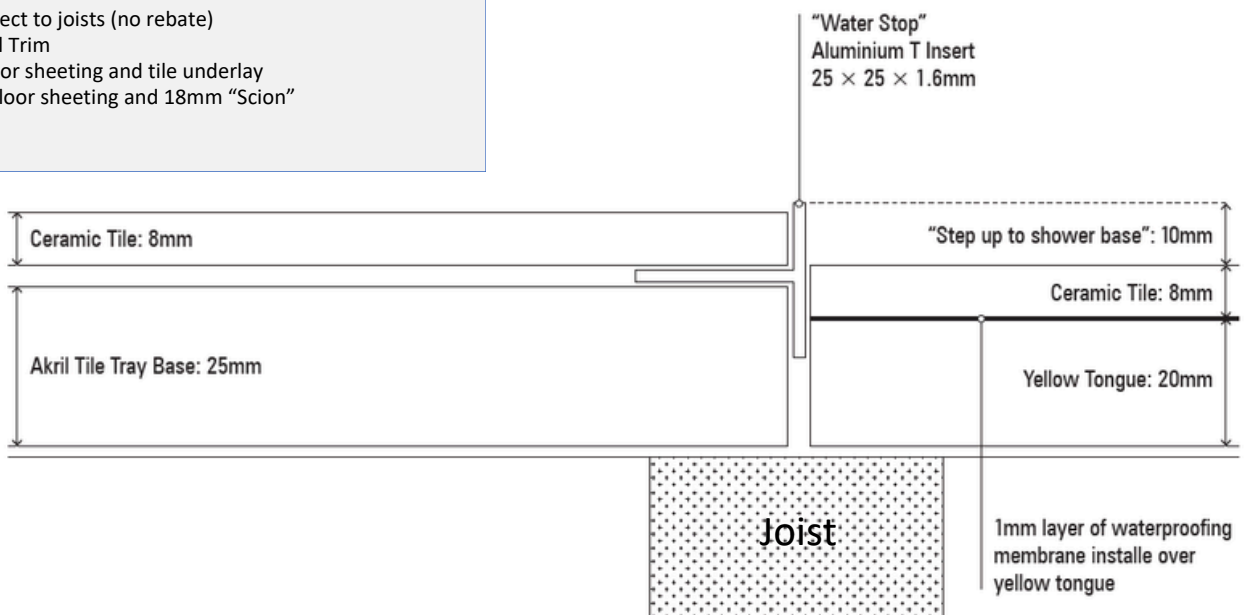
## 5.2 – Example 2

- Tile tray installation - Direct to joists (no rebate)
- Tile tray trim - Partial - cut down by 25mm
- Floor Substrate - Floor sheeting and tile underlay



## 5.3 – Example 3

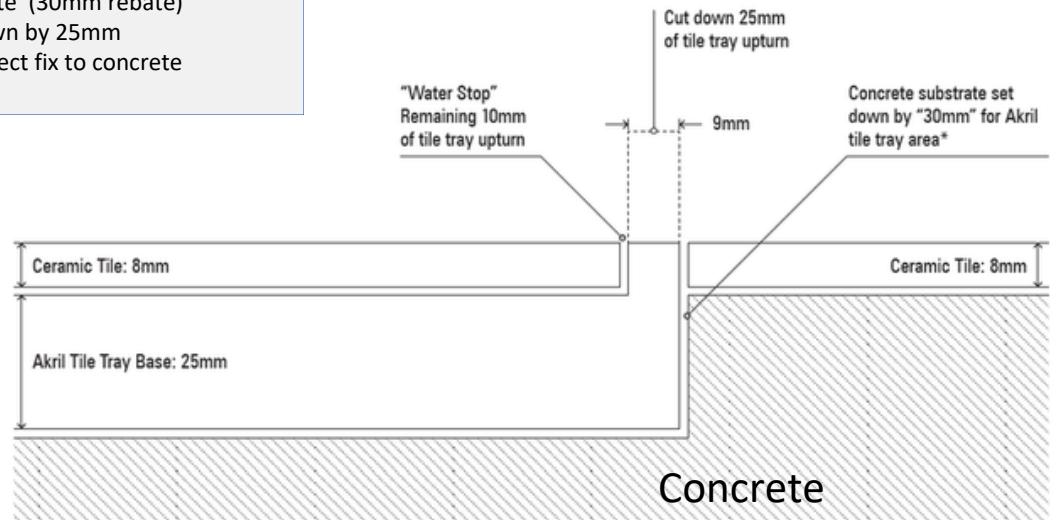
- Tile tray installation - Direct to joists (no rebate)
- Tile tray trim - Full Trim
- Floor Substrate - Floor sheeting and tile underlay  
or Floor sheeting and 18mm “Scion”



# 5. Trimming Diagrams – Typical Examples (Cont'd)

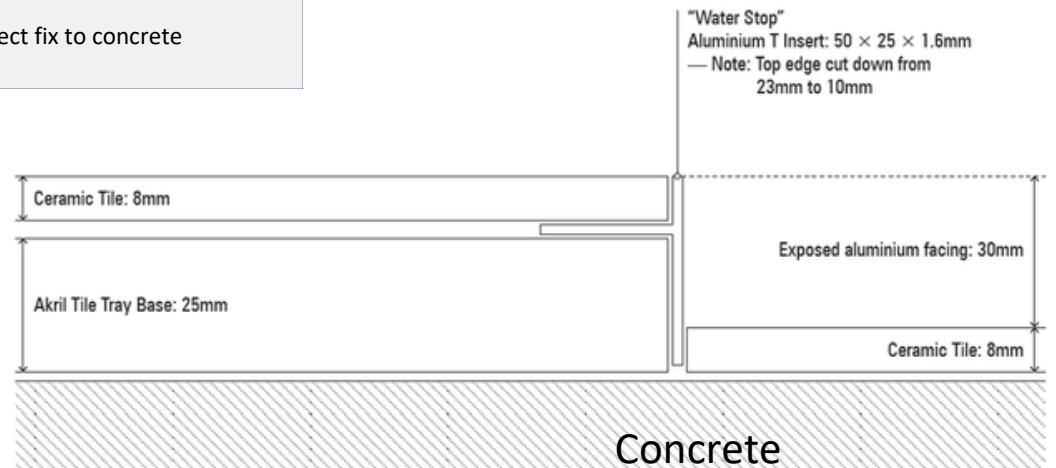
## 5.4 – Example 4

Tile tray installation - Direct to concrete (30mm rebate)  
 Tile tray trim - Partial - Cut down by 25mm  
 Floor Substrate - Ceramic tiles direct fix to concrete



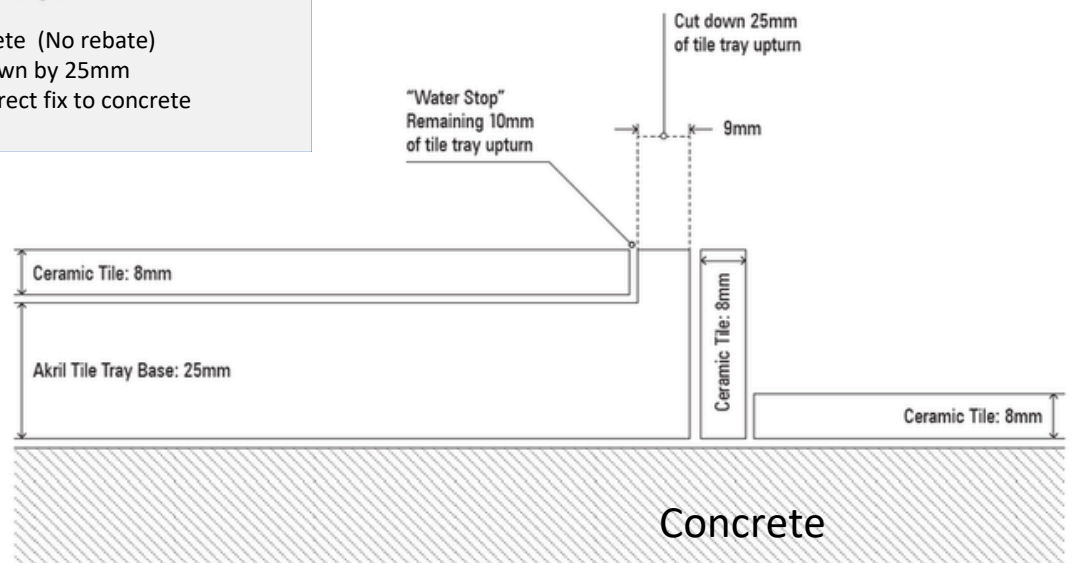
## 5.5 – Example 5

Tile tray installation - Direct to concrete (No rebate)  
 Tile tray trim - Full Trim  
 Floor Substrate - Ceramic tiles direct fix to concrete



## 5.6 – Example 6

Tile tray installation - Direct to concrete (No rebate)  
 Tile tray trim - Partial - Cut down by 25mm  
 Floor Substrate - Ceramic tiles direct fix to concrete



## 6. Waterproofing

Professional waterproofing contractors should be used to ensure compliance with Australian Standard AS 3740-2010.

Note that insurers may void claims if the installation does not comply with AS 3740.

All the joints between the tray and the floor/walls must be waterproofed using one of the approved waterproofing systems as recommended - Refer Page 10

It is also recommended that the waterproofing cover the entire surface of the tile Tray

Do not waterproof in the area immediately around the waste outlet so as not to block water drainage.

Refer AS3740

## 7. Tiling

### Preliminary

Ensure tray is clean from dirt and dust, using methylated spirits will assist in removing dust.

Allow to dry before commencement of installation.

Refer page 9 For recommended tiling adhesives and grout systems

7.1 Rough up the surface of the Tile Tray using 80 grit sandpaper

7.2 Apply primer over the tile tray surface and allow to dry as per primer manufacturers instructions.

7.3. Apply tile adhesive glue over the primer and bed down tiles using the required tile spacing distance as per job requirement (i.e.: 2mm or 4mm).

7.4 Allow tile adhesive to dry from minimum 24hrs prior to grouting.

7.5. Install grouting

7.6. Install Caulking at interface between walls and floor

**Airlock may occur if tile insert grate is not tiled correctly. Ensure tiles in the tile insert are installed 4mm or more above the height of the tiles on the tile tray to ensure no airlock occurs.**

# 8. Adhesives and Waterproofing Products

For installation of the tray to the floor the approved adhesives are;

Sika	Sikaflex 11FC
Selleys	Flexiseal FC
Loctite	PL PREMIUM CONSTRUCTION ADHESIVE

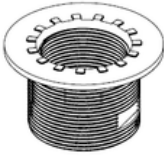
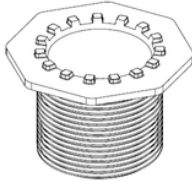


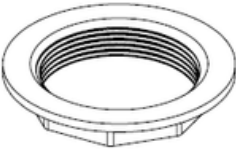
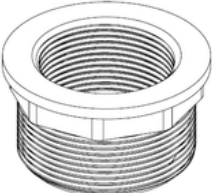
For waterproofing and tiling the following products are approved for use with Tile Tray  
Please contact relevant suppliers to obtain detailed instructions and data sheets

	Priming	Waterproofing	Tiling	Contact
ATA	Aus-Bond Ultra Prime	Aqua-Flex WPM C3 Aqua-Proof WPM C3 Aqua-Stick 80 & 1000 Aqua-Fab & Aqua-Band	Aus-Flex Multi Commercial Aus-Crete Premium Industrial	Australasian Tiling Adhesives Mobile: 0448 404 333, Email: admin@ata.com.au , Web: ata.com.au  PO Box 6468, Footscray West, Victoria 3012
MAPEI	EcoPrim Grip	Mapelastick Smart	Refer MAPEI	MAPEI Pty Ltd Ph : 07 3276 5093, e: Technical-AU@mapei.com.au, Web: mapei.com  180 VIKING DRIVE, WACOL, QLD 4076
DUNLOP	Shower tray = Dunlop Bond Coat  Walls and porous surfaces = Dunlop Multi-Purpose Primer	Dunlop Express Wet Area Tape  Dunlop Express Wet Area waterproofing membrane	Dunlop Universal tile adhesive  Dunlop Trade Resaflex tile adhesive  Dunlop Flexible Coloured Grout	ARDEX Australia Pty Ltd 02 9851 9199  ARDEX Technical Services Hotline 1800 224 070  www.ardexaustralia.com  20 Powers Road Seven Hills NSW 2147
ABA	Shower tray = ABA Abaprime  Walls and porous surfaces = ARDEX Multiprime	ARDEX STB Tape  ABA Waterproofer Rapid	ABA Powerstik Plus  ARDEX FG8 - Sanded cement based grout	
ARDEX	Shower tray = ARDEX P9  Walls and porous surfaces = ARDEX Multiprime	ARDEX STB Tape  ARDEX WPM155 Rapid	ARDEX X18  ARDEX X17  ARDEX FG8 - Sanded cement based grout	

All Waterproofing systems are to be installed in accordance with best practice and the requirements of appropriate building codes and AS3740

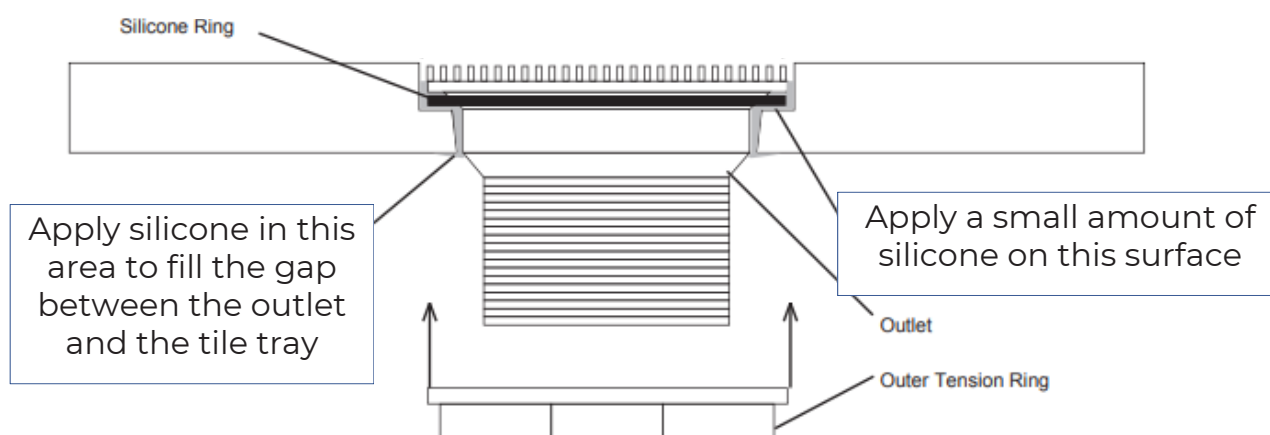
## 9. Waste Outlet Connector

### WASTE OUTLET CONNECTOR (PUDDLE FLANGE) FOR TILE TRAY

Outlet		
Silicone Gasket		
Outer Tension Ring		
	Suits Centre Rear	Suits Rear Grate

#### Waste outlet Installation – recommended method

- Remove outer tension ring and silicone gasket from the assembly.
- Apply a thin layer of silicone to the outlet area and place the silicone gasket onto the wet silicone.
- Place the outlet into the tile tray outlet hole, ensuring that the sealing ring is between the outlet and the outlet hole.
- Apply silicone to the underside of the outlet hole between the outlet and the tile tray
- Replace the tension ring from the underside of the tile tray screwing in a clockwise direction.
- Tighten the tension ring with a spanner, do not over tighten.
- Attach plumbing connection to the outlet.
- Check for water tightness, tighten further if necessary



NB : The installation of the Waste Outlet Connector is the responsibility of the installer to ensure a water tight seal between the tray, Waste Outlet Connector and the plumbing connection. The manufacturer can only supply recommended methods of installation.

# Tile Tray Diagrams



# Tile Tray Installation Method No. 1



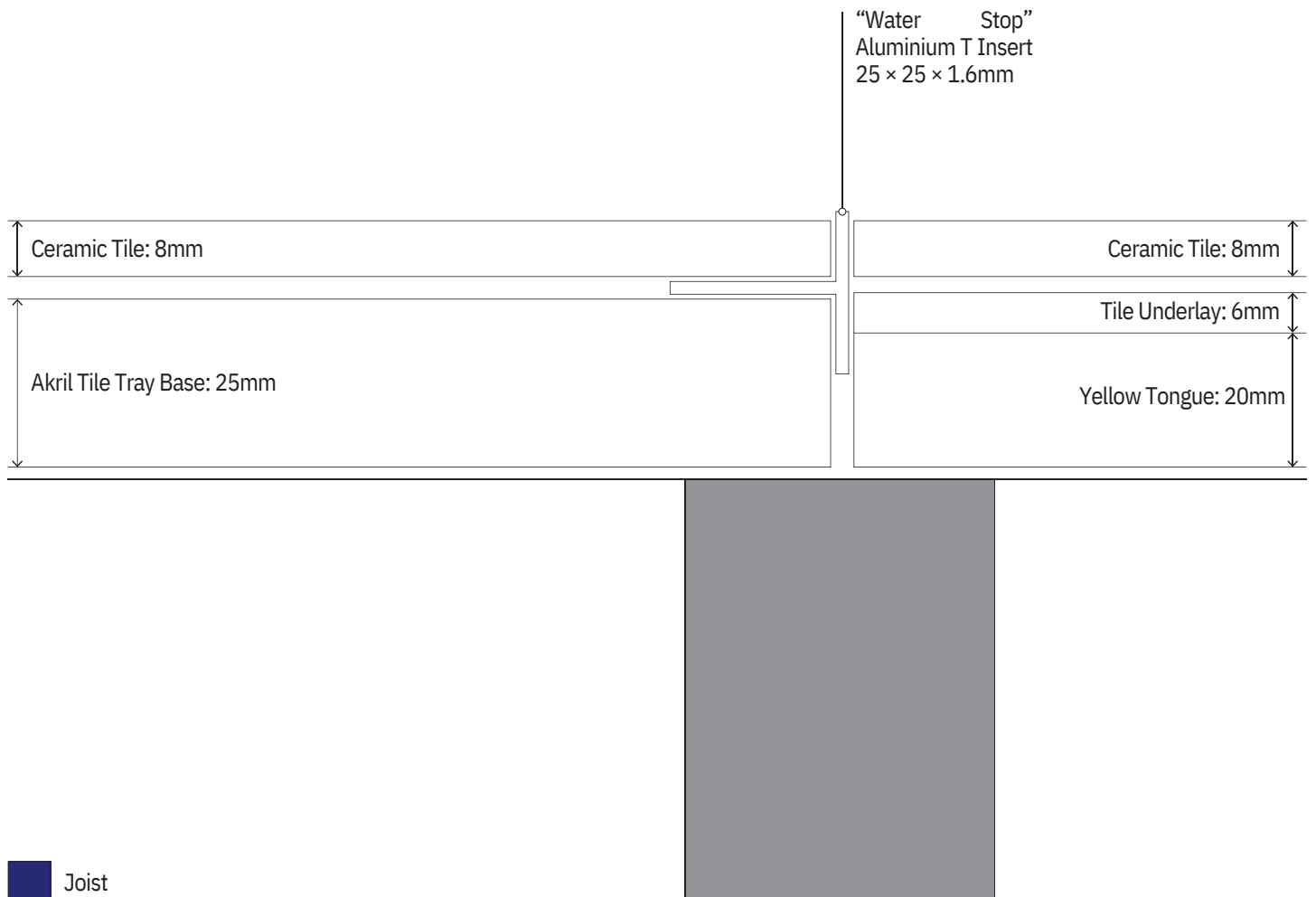
Bathroom Substrate

Yellow Tongue with Tile Underlay

Installation Method

- Direct to joists (no rebate)
- Upturns of tile tray removed

Diagram



# Tile Tray Installation Method No. 2



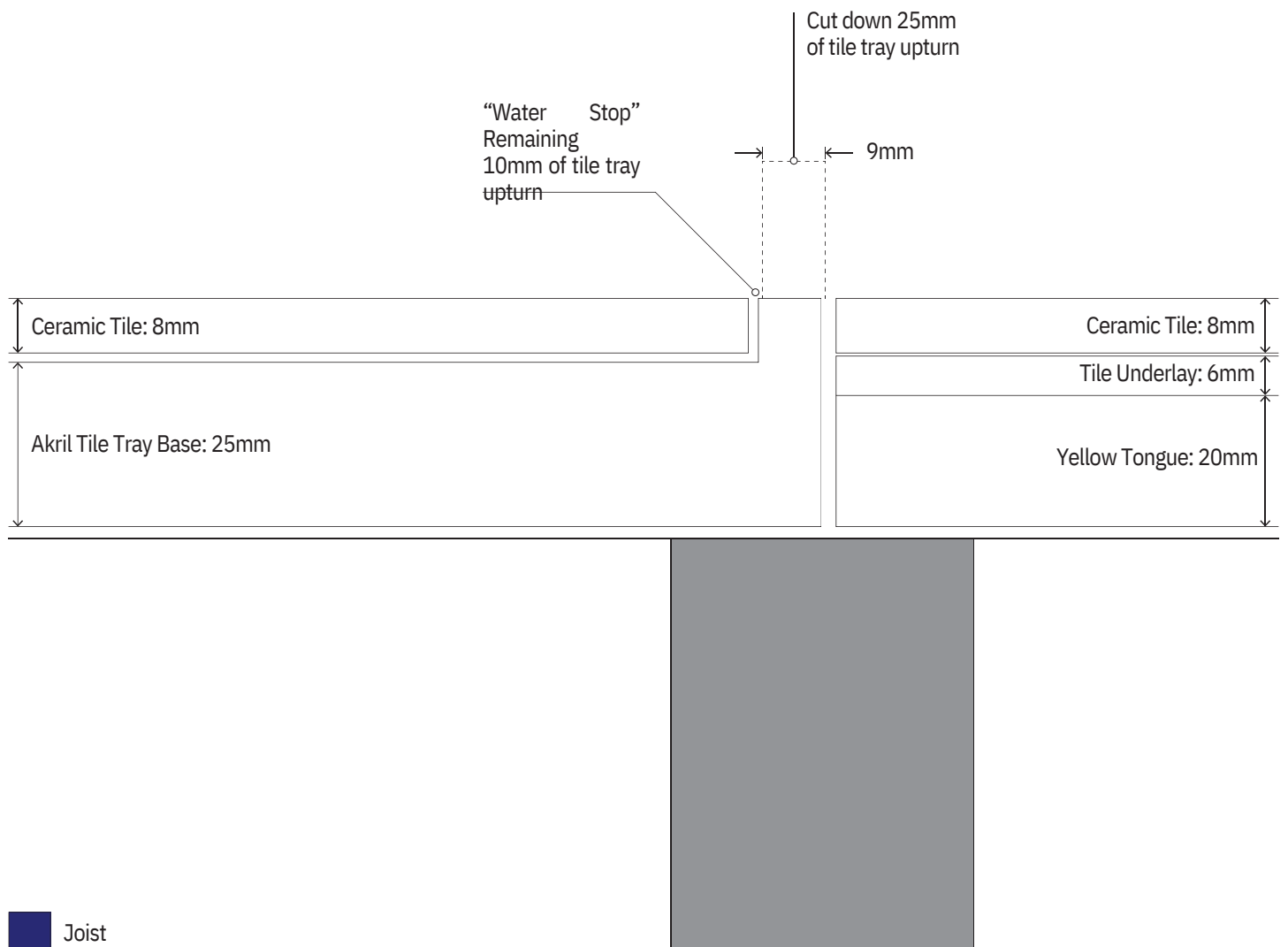
Bathroom Substrate

Yellow Tongue with Tile Underlay

Installation Method

- Direct to joists (no rebate)
- 25mm of tile tray upturn removed to leave 10mm “water stop”

Diagram



# Tile Tray Installation Method No. 3



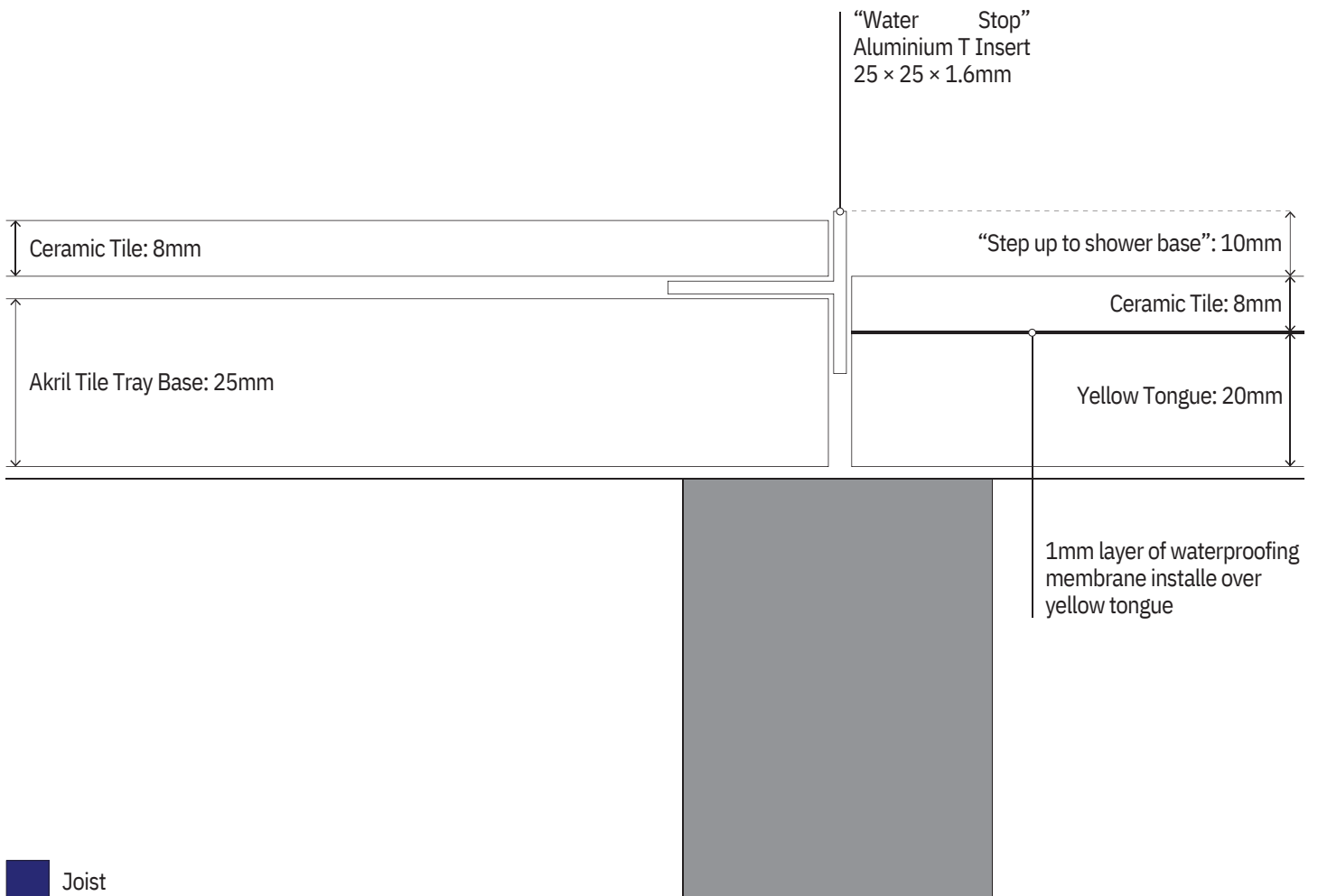
## Bathroom Substrate

Yellow Tongue with Tile Underlay  
+ layer of waterproofing membrane  
"or" scyon sheet (18mm)

## Installation Method

– Direct to joists (no rebate)  
– Upturns of tile tray removed

## Diagram



# Tile Tray Installation Method No. 4



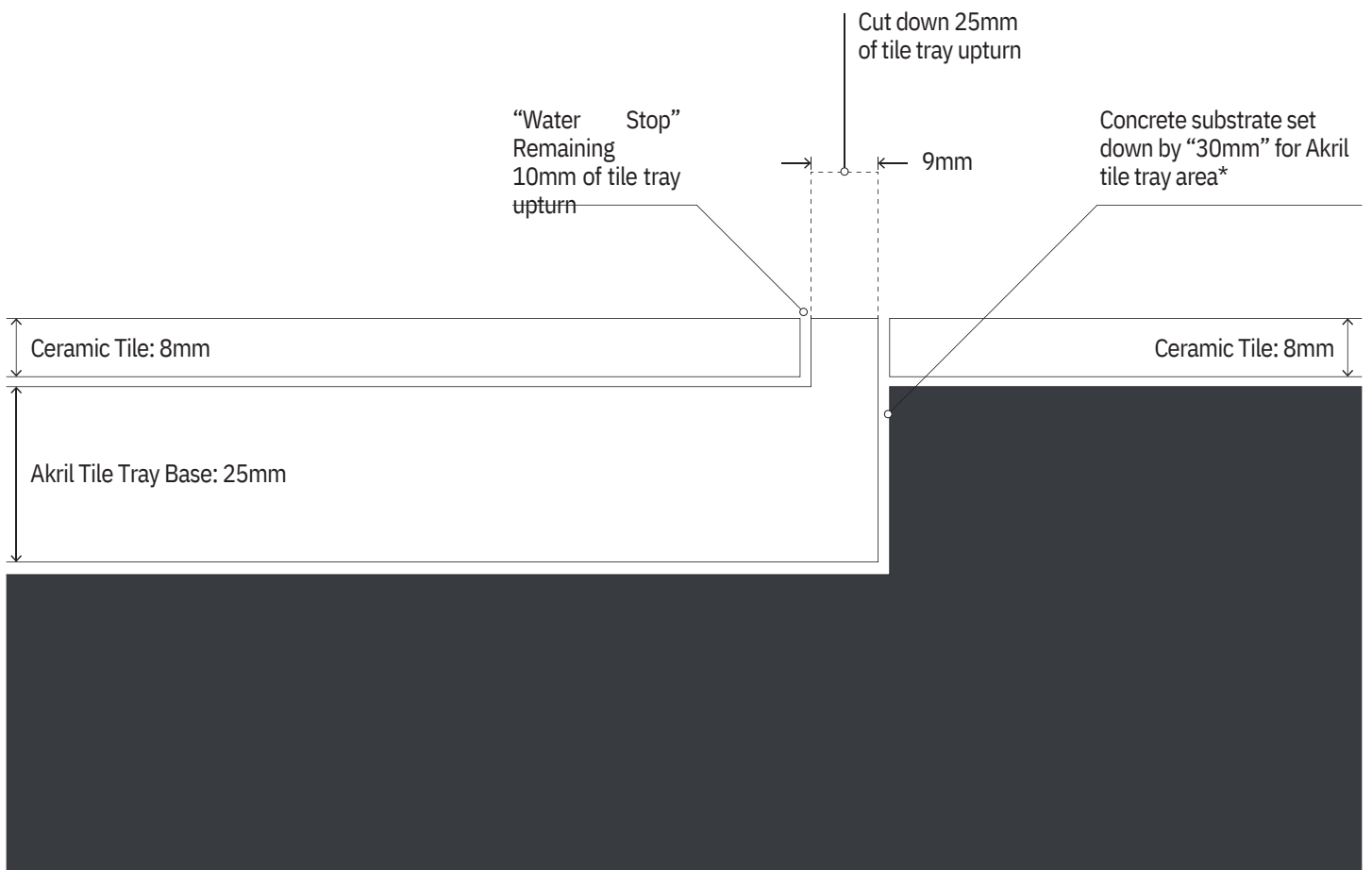
## Bathroom Substrate

Concrete with “30mm” set down  
for Akril tile tray area  
— plus expansion gap

## Installation Method

- Glued directly to set down area of concrete substrate
- 25mm of tile tray upturn removed to leave 10mm “water stop”

## Diagram



 Concrete substrate

- \* For example:
- 900 × 900mm (+ expansion gap)
  - 1200 × 900mm (+ expansion gap)

# Tile Tray Installation Method No. 5



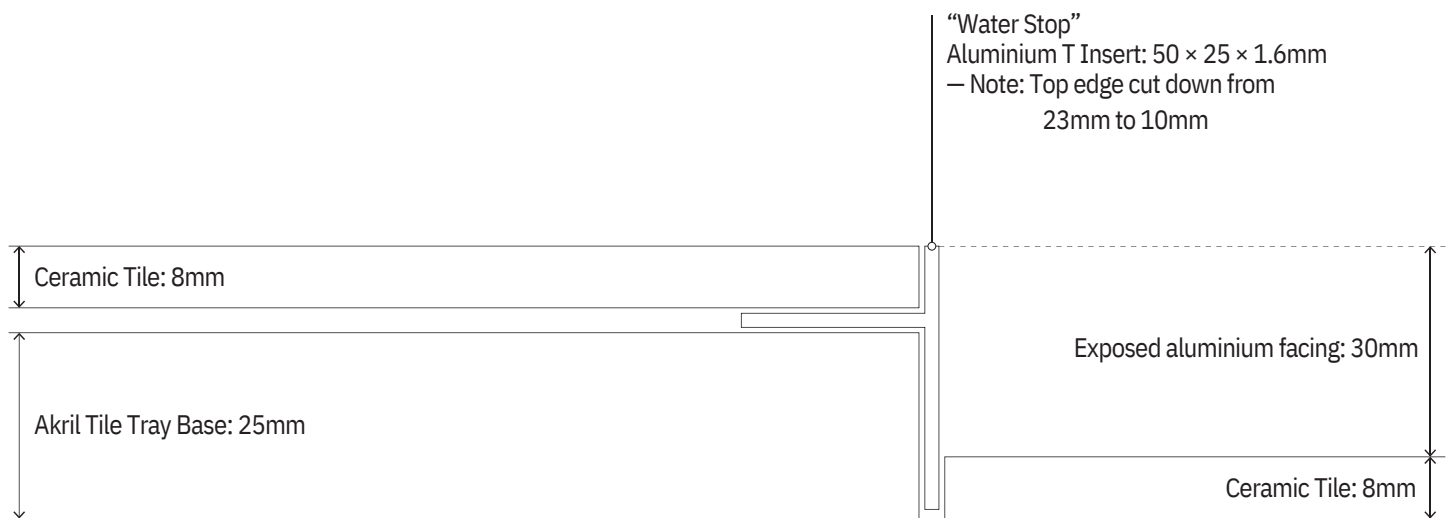
## Bathroom Substrate

Concrete with "zero" set down for Akril tile tray area

## Installation Method

- Glued directly to concrete substrate
- Upturns of tile tray removed

## Diagram



Concrete substrate

# Tile Tray Installation Method No.6



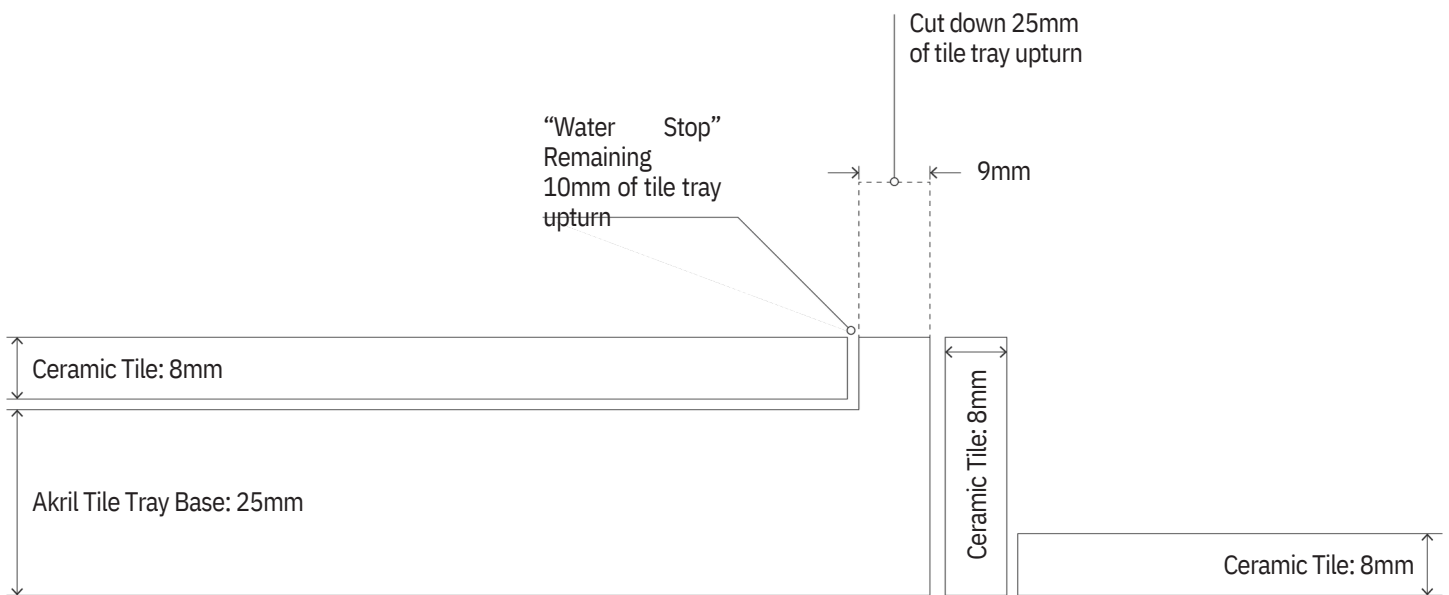
## Bathroom Substrate

Concrete with “zero” set down for Akril tile tray area

## Installation Method

- Glued directly to concrete substrate
- 25mm of tile tray upturn removed to leave 10mm “water stop”

## Diagram



Concrete substrate

Akril Shower Wall - Vintage White & Mocha  
Akril Tile Over Tray Rear Outlet  
Akril 320 x 365 Wall Niche



**Akril**

P - (03) 1800 464 728

E - sales@akril.com.au

W - akril.com.au

A - 37 Hosie St,  
Bayswater North

Vic, 3153

## 4mm Polymer

Colours	900 X 2440	1220 X 2440	575 X 1200	575 X 2600	760 X 1200	760 X 2600
AIRES	63545	63181	63197	63213	63229	63245
ASH	63546	63182	63198	63214	63230	63246
ASPEN	63547	63183	63199	63215	63231	63247
BALLINA	63548	63184	63200	63216	63232	63248
BIANCO GREY	63540	63176	63192	63208	63224	63240
BRUNSWICK	63549	63185	63201	63217	63233	63249
CLASSIC	63550	63186	63202	63218	63234	63250
CLASSIC MILAN	63541	63177	63193	63209	63225	63241
DAINTREE	63551	63187	63203	63219	63235	63251
GRAPHITE MARBLE	63542	63178	63194	63210	63226	63242
HIGHGATE	63552	63188	63204	63220	63236	63252
ORION MARBLE	63543	63179	63195	63211	63227	63243
PEBBLE	63544	63180	63196	63212	63228	63244
PEWTER	63553	63189	63205	63221	63237	63253
SMOOTH CARAMEL	63554	63190	63206	63222	63238	63254
STILL	63555	63191	63207	63223	63239	63255
ARCTIC BREEZE	56900	57480	61235	55427	61238	61241
GREEN MIST	56902	57482	61236	55428	61239	61242
JET	56903	57489	55438	55418	55398	55378
MAGNOLIA	56901	57484	55440	55420	55400	55380
MUSHROOM	56913	57486	61237	55429	61240	61243
VINTAGE WHITE	56918	57085	55445	55425	55394	55382
WINTER STORM	56899	57488	55446	55426	55406	55386

## 4mm Polymer

Colours	600 X 3050	725 X 1200	725 X 2440	725 X 3050	1220 X 3050	
AIRES	63341	63411	63443	63475	63277	
ASH	63342	63412	63444	63476	63278	
ASPEN	63343	63413	63445	63477	63279	
BALLINA	63344	63414	63446	63478	63280	
BIANCO GREY	63336	63406	63438	63470	63272	
BRUNSWICK	63345	63415	63447	63479	63281	
CLASSIC	63346	63416	63448	63480	63282	
CLASSIC MILAN	63337	63407	63439	63471	63273	
DAINTREE	63347	63417	63449	63481	63283	
GRAPHITE MARBLE	63338	63408	63440	63472	63274	
HIGHGATE	63348	63418	63450	63482	63284	
ORION MARBLE	63339	63409	63441	63473	63275	
PEBBLE	63340	63410	63442	63474	63276	
PEWTER	63349	63419	63451	63483	63285	
SMOOTH CARAMEL	63350	63420	63452	63484	63286	
STILL	63351	63421	63453	63485	63287	
ARCTIC BREEZE	57385	62352	57175	62446	56890	
GREEN MIST	57386	62358	57177	62452	56885	
JET	57387	62359	57178	62453	56889	
MAGNOLIA	57380	62361	57190	62456	56888	
MUSHROOM	57389	62363	57192	62458	56888	
VINTAGE WHITE	57384	62369	57156	62464	56959	
WINTER STORM	57390	62371	57194	62466	56979	

## 4mm Polymer Select

Select	900 X 2440	1220 X 2440	575 X 1200	575 X 2600	760 X 1200	760 X 2600
BIANCO GREY	63540	63176	63192	63208	63224	63240
CLASSIC MILAN	63541	63177	63193	63209	63225	63241
GRAPHITE MARBLE	63542	63178	63194	63210	63226	63242
ORION MARBLE	63543	63179	63195	63211	63227	63243
PEBBLE	63544	63180	63196	63212	63228	63244
Select	600 X 3050	725 X 1200	725 X 2440	725 X 3050	1220 X 3050	
BIANCO GREY	63336	63406	63438	63470	63272	
CLASSIC MILAN	63337	63407	63439	63471	63273	
GRAPHITE MARBLE	63338	63408	63440	63472	63274	
ORION MARBLE	63339	63409	63441	63473	63275	
PEBBLE	63340	63410	63442	63474	63276	

## 6mm Polymer

Colours	1220 X 2440	1220 X 3050	600 X 3050	725 X 1200	725 X 2440	725 X 3050
AIRES	63261	63293	63352	63427	63459	63496
ASH	63262	63294	63353	63428	63460	63497
ASPEN	63263	63295	63354	63429	63461	63498
BALLINA	63264	63296	63355	63430	63462	63499
BIANCO GREY	63256	63288	63487	63422	63454	63486
BRUNSWICK	63265	63297	63356	63431	63463	63500
CLASSIC	63266	63298	63357	63432	63464	63501
CLASSIC MILAN	63257	63289	63489	63423	63455	63488
DAINTREE	63267	63299	63358	63433	63465	63502
GRAPHITE MARBLE	63258	63290	63491	63424	63456	63490
HIGHGATE	63268	63300	63359	63434	63466	63503
ORION MARBLE	63259	63291	63493	63425	63457	63492
PEBBLE	63260	63292	63495	63426	63458	63494
PEWTER	63269	63301	63360	63435	63467	63504
SMOOTH CARAMEL	63270	63302	63361	63436	63468	63505
STILL	63271	63303	63362	63437	63469	63506
ARCTIC BREEZE	57760	56974	56859	57620	56725	57270
GREEN MIST	57763	56966	56847	57622	57642	57272
JET	57764	56971	56854	57623	57643	57273
MAGNOLIA	57766	56977	56848	57624	57645	57277
MUSHROOM	57768	56977	56855	57626	67647	57276
VINTAGE WHITE	57940	56995	56852	57125	57145	57265
WINTER STORM	57740	56996	56856	57628	57649	57279

## 6mm Select

Select	1220 X 2440	1220 X 3050	600 X 3050	725 X 1200	725 X 2440	725 X 3050
BIANCO GREY	63256	63288	63487	63422	63454	63486
CLASSIC MILAN	63257	63289	63489	63423	63455	63488
GRAPHITE MARBLE	63258	63290	63491	63424	63456	63490
ORION MARBLE	63259	63291	63493	63425	63457	63492
PEBBLE	63260	63292	63495	63426	63458	63494

## 5mm Glass Filler Panel

Motiv	650 X 595	650 X 895	730 X 595	730 X 895
BIANCO GREY	63374	63390	63507	63523
CLASSIC MILAN	63375	63391	63508	63524
GRAPHITE MARBLE	63376	63392	63509	63525
ORION MARBLE	63377	63393	63510	63526
PEBBLE	63378	63394	63511	63527

## 5mm Glass Filler Panel

Colours	650 X 595	650 X 895	730 X 595	730 X 895
AIRES	63379	63395	63512	63528
ASH	63380	63396	63513	63529
ASPEN	63381	63397	63514	63530
BALLINA	63382	63398	63515	63531
BIANCO GREY	63374	63390	63507	63523
BRUNSWICK	63383	63399	63516	63532
CLASSIC	63384	63400	63517	63533
CLASSIC MILAN	63375	63391	63508	63524
DAINTREE	63385	63401	63518	63534
GRAPHITE MARBLE	63376	63392	63509	63525
HIGHGATE	63386	63402	63519	63535
ORION MARBLE	63377	63393	63510	63526
PEBBLE	63378	63394	63511	63527
PEWTER	63387	63403	63520	63536
SMOOTH CARAMEL	63388	63404	63521	63537
STILL	63389	63405	63522	63538
ARCTIC BREEZE	61244	55470	72010	55510
GREEN MIST	61245	55472	61248	55512
JET	55458	55482	55499	55522
MAGNOLIA	55460	55484	55501	55524
MUSHROOM	61246	55471	61249	55511
VINTAGE WHITE	55465	55489	55506	55529
WINTER STORM	55466	55490	55507	55530

# Tile Trays and Fitting

Code	Width (mm)	Length (mm)	Outlet Position	Structural	Outlet	Grate
54700	900	900	Centre Rear	*	*	
54702	1200	900	Centre Rear	*	*	
54701	900	900	Centre Rear	*		*
54703	1200	900	Centre Rear	*		*
54706	900	1200	Centre Rear	*		*
54707	1500	1000	Centre Rear	*		*
54708	1800	1000	Centre Rear	*		*
54709	2100	1000	Centre Rear	*		*

## Outlets To Suit Rear Outlet 54700 & 54702

11730 - Square chrome drain cover

11740 - Round chrome drain cover

11750 - Tile Insert chrome adjustable square drain cover

## Grates To Suit 54701 & 54706

11781 - 840 mm channel grate SS - Punched - 12.7mm

11720 - 840 mm channel grate SS - Tile Insert - 11mm

11783 - 840 mm channel grate SS - Wire style - 12.7mm

11780 - 860 mm channel grate SS - Punched - 12.7mm

11721 - 860 mm channel grate SS - Tile Insert - 11mm

54716 - 860 mm channel grate SS - Wire style - 12.7mm

11756 - 840 mm channel grate SS - Tile Insert - 17.7mm

11758 - 860 mm channel grate SS - Tile Insert - 17.7mm

## Grates to Suit 54703 & 54707

11782 - 1140 mm channel grate SS - Punched - 12.7mm

11722 - 1140 mm channel grate SS - Tile Insert - 11mm

11759 - 1140 mm channel grate SS - Tile Insert - 17.7mm

11784 - 1140 mm channel grate SS - Wire style - 12.7mm

## Grates To Suit 54703 ONLY

11723 - 1160 mm channel grate SS - Tile Insert - 17.7mm

11724 - 1160 mm channel grate SS - Tile Insert - 11mm

11785 - 1160 mm channel grate SS - Punched - 12.7mm

54717 - 1160 mm channel grate SS - Wire style - 12.7mm

## Grates To Suit 54708 & 54709

11725 - 1430 mm channel grate SS - Tile Insert - 11mm

11751 - 1430 mm channel grate SS - Tile Insert - 17.7mm

11786 - 1430 mm channel grate SS - Punched - 12.7mm

54735 - 1430 mm channel grate SS - Wire style - 12.7mm

# Shower Base

Code	Width (mm)	Length (mm)	Outlet Position	Weight (Kgs)	Height	Lips
54770	900	900	Centre Rear	11	30mm	4 Lip
54772	1200	900	Centre Rear	14	30mm	4 Lip
54771	1000	1000	Centre Rear	13	30mm	4 Lip
54782	900	900	Centre Rear	11	40mm	3 Lip
54783	900	900	Centre Centre	11	40mm	3 Lip
54784	900	900	Centre Rear	11	40mm	4 Lip
54785	900	900	Centre Centre	11	40mm	4 Lip
54786	1200	900	Centre Rear	13	40mm	3 Lip
54787	1200	900	Centre Centre	13	40mm	3 Lip
54788	1200	900	Centre Rear	13	40mm	4 Lip
54789	1200	900	Centre Centre	13	40mm	4 Lip
54768	900	900	Centre Rear	7	13mm	3 Lip
54769	1200	900	Centre Rear	9	13mm	3 Lip

# Niches

Code	Width (mm)	Length (mm)	Outlet Position	Weight (Kgs)	Single Cavity
54890	320	365	90	3	*
54891	600	365	90	4	*
62521	700	300	90	4	*
54892	900	365	90	6	*
62522	1000	300	90	6	*
62523	1400	300	90	10	*