

Arcisan dual inlet squareline shower column - Ø250mm head, fusion air push button handshower

AR2325461.4

WELS: 4 star

Litre/min: 7.5L

WELS License / Reg No: 1483 / S18167

Finishes available:



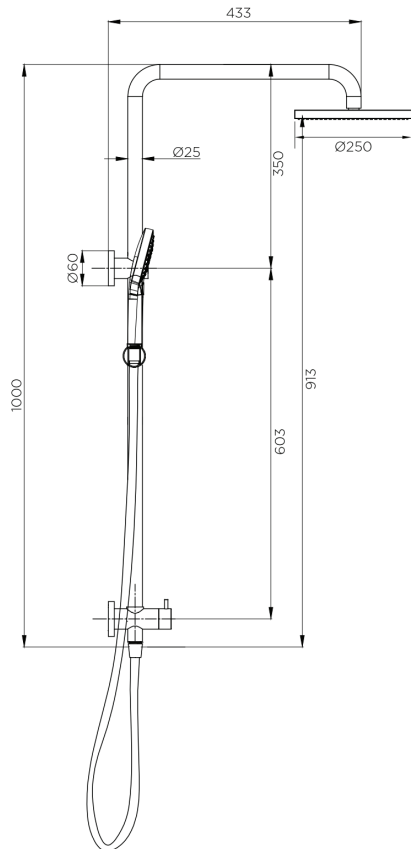
INFORMATION

Pressure Rating
150 - 500kPa

Hot and cold water inlet pressures should be equal.

CARE AND MAINTENANCE

- All surfaces should be frequent cleaned with a mixture of mild, pH neutral soap and warm water with a soft cloth
- Do not use abrasive clothes, scouring pads on surfaces
- Do not use harsh cleaning agents i.e. cream cleaners or citrus based cleaners (see cleaning leaflet for comprehensive list)



WARRANTY
15 years

*Conditions apply.