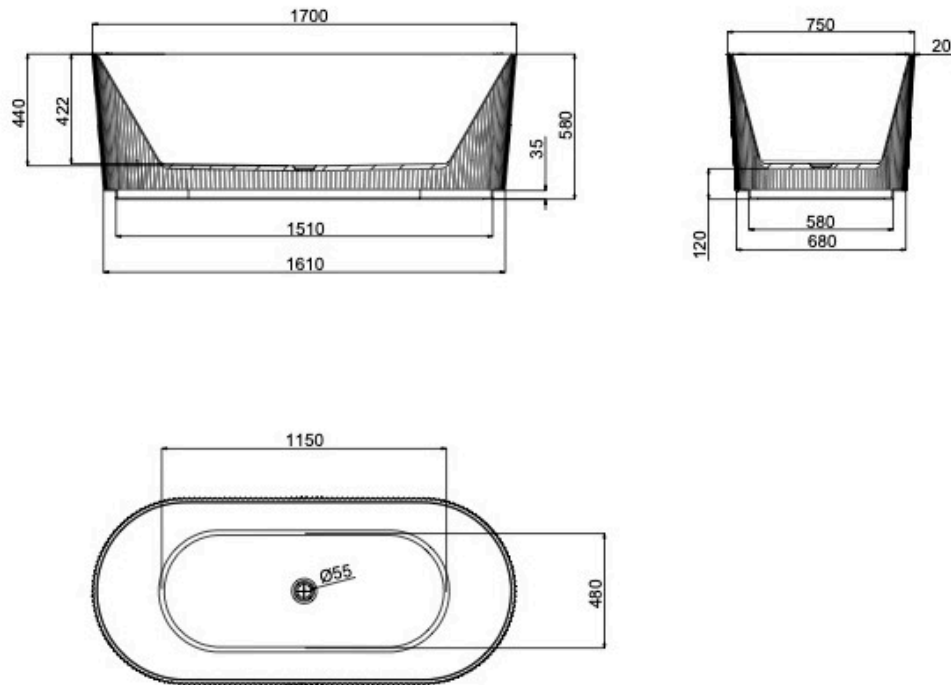


Cleo 1700mm Freestanding Bath



Product Specifications

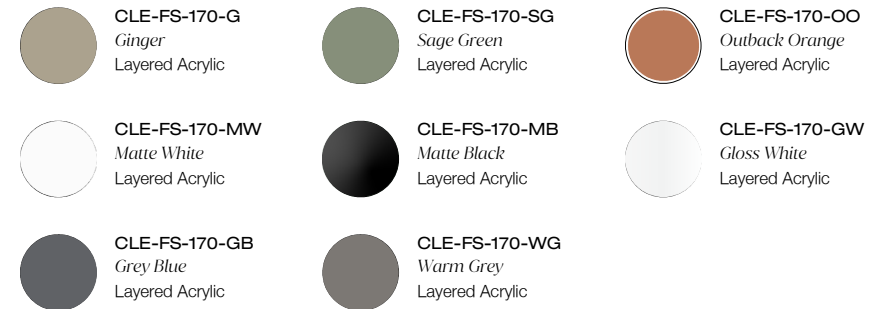
Code: CLE-FS-170-G

Finish: Ginger

Barcode: 9339897021272

Primary Material: Sanitary Grade Acrylic

Technical Features: Mounting: Freestanding
Pop-up Waste Sold Separately



Experience, *the difference.*



LINSOL.COM.AU

☎ 1300 546 765

✉ info@linsol.com.au

✉ PO Box 88, Coniston NSW 2500

All information is correct at time of writing. The actual product may vary slightly and sizes may be scaled up or down. Warranty is for domestic use only. For warranty & care information please visit linsol.com.au/warranty