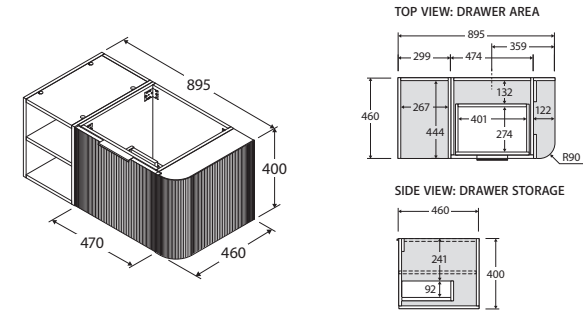


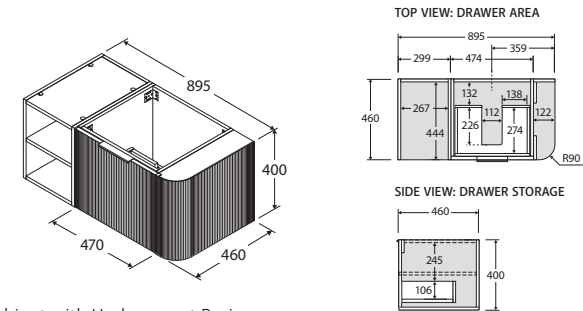
Margot

900MM WALL-HUNG CABINET LEFT SHELF

- Select from four finishes
- Fluted curve design
- 'Quiet Close' drawer system
- Full extension runners allow easy access to the full depth of the drawer
- Fresh white interior
- Full depth (suits 465 mm tops)
- One drawer
- EDGE blade-style handle comes standard, select one of seven finishes (included in price)
- Optional upgrade to include Push to Open handle free feature
- Spacesaver Box Trap kit is included when Above Counter and Semi Inset Basins are chosen
- Made in Australia with FSC certified, E0 board



Cabinet with Above Counter or Semi Inset Basins



Cabinet with Undermount Basins

Available in

4 finishes
M90-LFS-S



Cleaning & Care

- Regularly clean with mild soapy water using a clean, soft cloth.
- Do not use harsh detergents, bleach, abrasive cleaners or cream/wax cleaners. These substances can result in scratches and/or deposit build-ups that will affect the appearance.
- Avoid placing hot objects, such as hair straighteners, on any surface as these will cause discolouration and marking.
- Spills of hair dye, after-shave lotion, nail polish and remover, aerosol spray and other harsh chemicals should be removed immediately to prevent damage and discolouration. Clean immediately with mild soapy water using a clean, soft cloth.

We aim to ensure that specifications are correct at the time of publication. All measurements are shown in millimetres. For MDF cabinetry, please allow +/- 5 mm tolerance per 1000 mm for manufacturing variance in straightness. Always use measurements of actual product received for final specification as the technical drawing may contain differences. Due to printing limitations, physical colour may vary from the image shown. Fienza reserves the right to make modifications without prior notice.