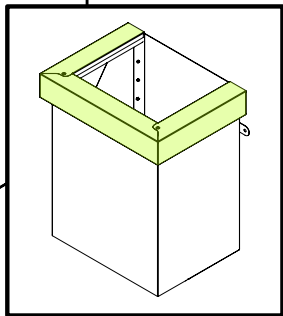
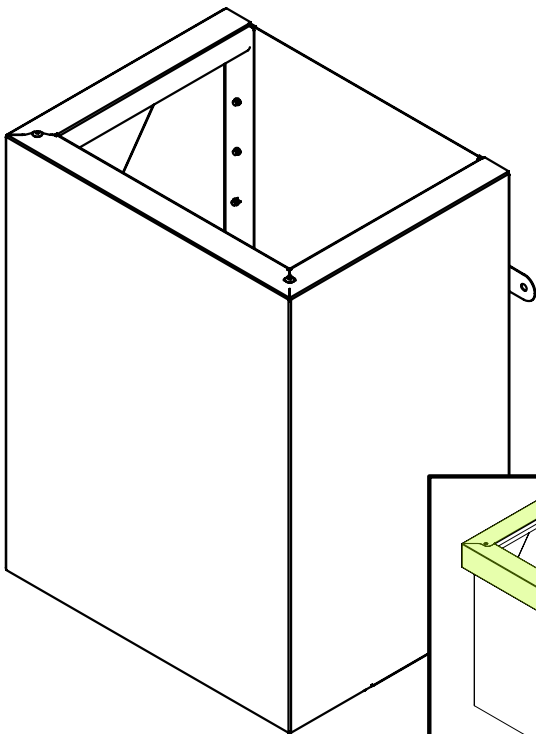


Flat Back Rainhead with Adjustable Receiver



Rainhead + Top Trim (sold separately) installed



R300 Flat Back

Flat-back versatility up to a *MAX* 300mm Box Gutter size or Side-outlet, options when you need extra flexibility in the size range.

Each unit is sold with the adjustable adapter to fit any size from 200 to 300mm to fit the exact size you need.

N.B: the Top Trim/Beading is Sold Separately.

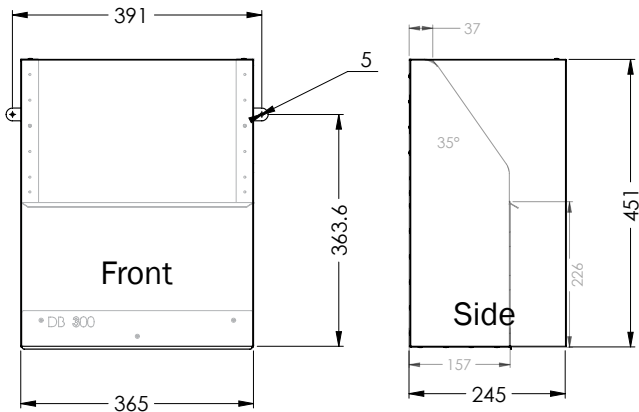
The R300 is the most popular size which will cover the majority of roofing requirements.

The units also come with fixing tabs installed to ensure compliancy when Installing them to the structure.

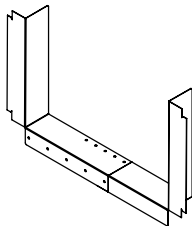
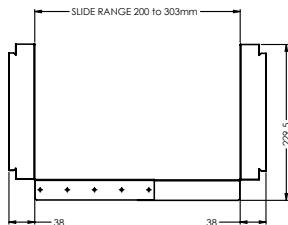
If at all unsure of just which sized unit you need, or would like a lot more technical data etc, there are detailed information charts and calculators, and also installation instructions available for download on the Dambuster website below.

<https://www.dambuster.com.au/technical-downloads/>

R300 FB / Adjustable Receiver Dimensions



■ RH External dimensions ■ Internal component dimensions



Classic finish - Main Colours Always in Stock ETA 24-48 Hrs



Monument®
Classic finish
SA = 0.73



Surfmat®
Classic finish
SA = 0.33



Night Sky®
Classic finish
SA = 0.95



Shale Grey™
Classic finish
SA = 0.44



Dover White™
Classic finish
SA = 0.28



Woodland Grey®
Classic finish
SA = 0.70

Classic finish - Secondary Colours Made to Order ETA 5-7 days



Evening Haze®
Classic finish
SA = 0.43



Southern®
Classic finish
SA = 0.40



Dune®
Classic finish
SA = 0.48



Paperbark®
Classic finish
SA = 0.43



Classic Cream™
Classic finish
SA = 0.33



Bluegun®
Classic finish
SA = 0.57



Windspray®
Classic finish
SA = 0.60



Gully®
Classic finish
SA = 0.64

Classic finish - Secondary Colours Made to Order ETA 5-7 days



Jasper®
Classic finish
SA = 0.67



Wallaby®
Classic finish
SA = 0.64



Basalt®
Classic finish
SA = 0.67



Ironstone®
Classic finish
SA = 0.73



Deep Ocean®
Classic finish
SA = 0.74



Collage Green®
Classic finish
SA = 0.73



Pale Eucalypt®
Classic finish
SA = 0.60



Manor Red®
Classic finish
SA = 0.70

ULTRA finish - Special Colours Made to Order ETA 7-10 days



Monument®
ULTRA finish
SA = 0.73



Surfmat®
ULTRA finish
SA = 0.33



Shale Grey™
ULTRA finish
SA = 0.44



Woodland Grey®
ULTRA finish
SA = 0.70



Dune®
ULTRA finish
SA = 0.48



Wallaby®
ULTRA finish
SA = 0.66



Windspray®
ULTRA finish
SA = 0.60

Matt finish - Special Colours Made to Order ETA 7-10 days



Bluegun®
Matt finish
SA = 0.59



Shale Grey™
Matt finish
SA = 0.46



Surfmat®
Matt finish
SA = 0.35



Monument®
Matt finish
SA = 0.79

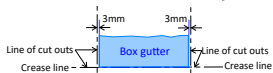
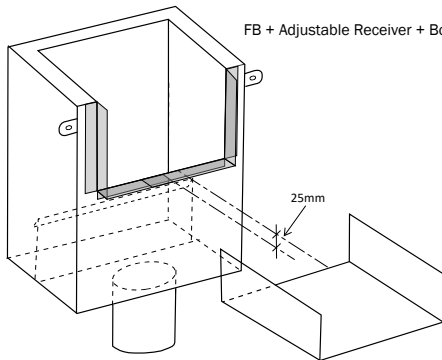


Basalt®
Matt finish
SA = 0.71

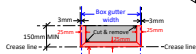
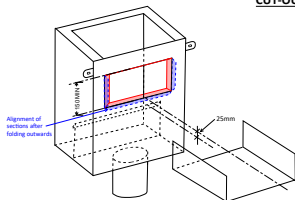


Dune®
Matt finish
SA = 0.48

FB + Adjustable Receiver + Box Gutter

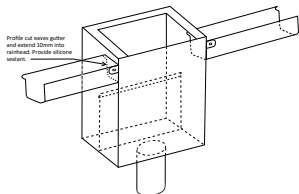


CUT-OUT DIMENSIONS



CUT-OUT DIMENSIONS

FB+ Cut out + Box Gutter

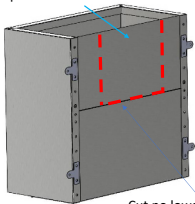


Profile cut eaves gutter and extend 10mm into receiver. Provide silicone sealant.

FB + Eaves Gutter

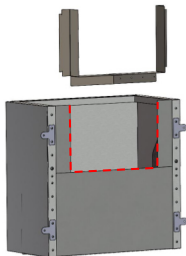
Examples of typical Install options

Cut rear of flat back panel

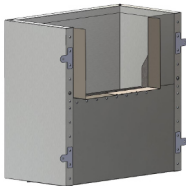


Cut no lower than crease folded depth line to maintain compliant differential of 25mm between box gutter sole and overflow weir.

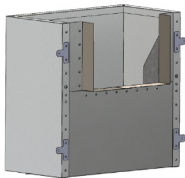
Adjust Dam Buster - Box Gutter Adaptor distance to suit outside of box gutter width



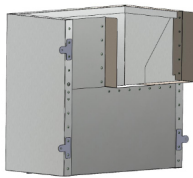
Inside of flange



Centered



Side edge



Trim edge wing on Box Gutter Adaptor if using tight to flange.



Unfold Box Gutter Adaptor, trim rainhead and fix to the side wall of the rainhead using sandwiched silicone and rivets.

