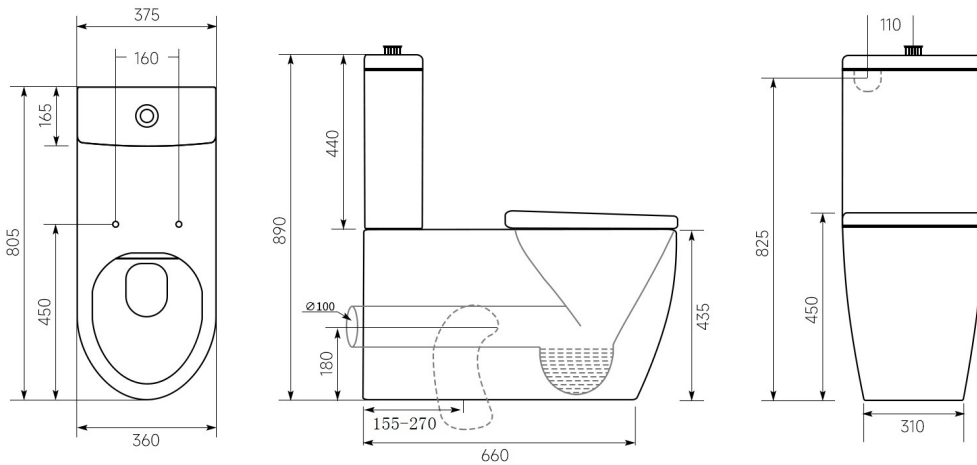


Ridge Care Rimless Back to Wall Toilet Suite with Backrest



Product Specifications

Code:	RID-01C-CB
Finish:	Contrast Blue
Barcode:	9339900000000
WELS Star:	4 Star
WELS Rating:	3.5L/Min
Primary Material:	Vitreous China
Technical Features:	Included: S-Trap P-Trap: 180mm S-Trap: 180-325mm (included)
Special Features:	R&T Internals Rimless Flushing Technology Spare Parts Available



Experience, *the difference.*



LINSOL.COM.AU

☎ 1300 546 765

✉ info@linsol.com.au

✉ PO Box 88, Coniston NSW 2500

All information is correct at time of writing. The actual product may vary slightly and sizes may be scaled up or down. Warranty is for domestic use only. For warranty & care information please visit linsol.com.au/warranty