

# GATSBY 450X900D

**PRODUCT CODE**

G4590D

## LED MIRROR

**SPECIFICATIONS**

WIDTH	450mm
HEIGHT	900mm
DEPTH	31mm
WEIGHT	7kg
ORIENTATION	Portrait

**FEATURES**

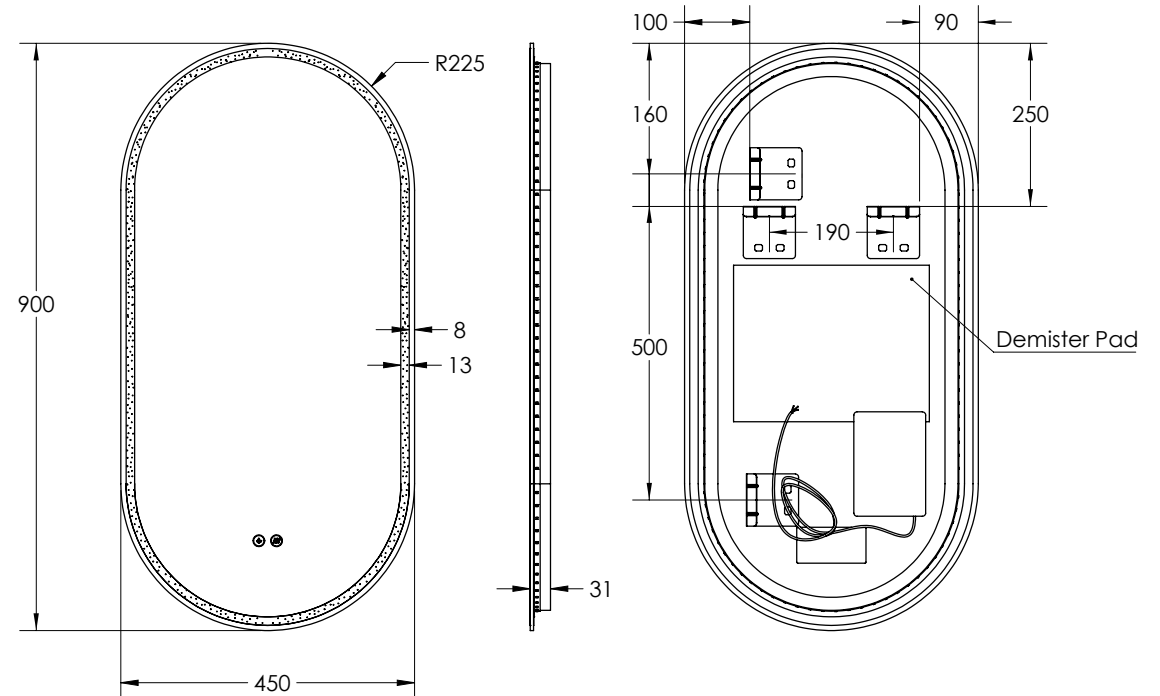
Copper Free Mirror
LED Lighting (Adjustable Colour Temperature)
Backlit
Touch Sensor
Demister with 1 Hour Auto Cut-off

**LIGHTING SPECIFICATIONS**

CCT	2700K - 6500K
CRI	>80

**INSTALLATION**

Wall mount
Hardwire
Input voltage: 220-240v 50Hz



Disclaimer: All LED Products requiring hardwiring must be installed by a licensed electrician in accordance with local regulations. Sizes are in mm and nominal and should be checked prior to installation. Actual colours may vary so please check colour samples before ordering. Installation is acceptance of our products. Installation of faulty, warped, chipped or damaged products will void our warranty.

# GATSBY 450X900D

**PRODUCT CODE**

G4590D

## LED MIRROR

**SPECIFICATIONS**

WIDTH	450mm
HEIGHT	900mm
DEPTH	35mm
WEIGHT	7kg
ORIENTATION	Portrait

**FEATURES**

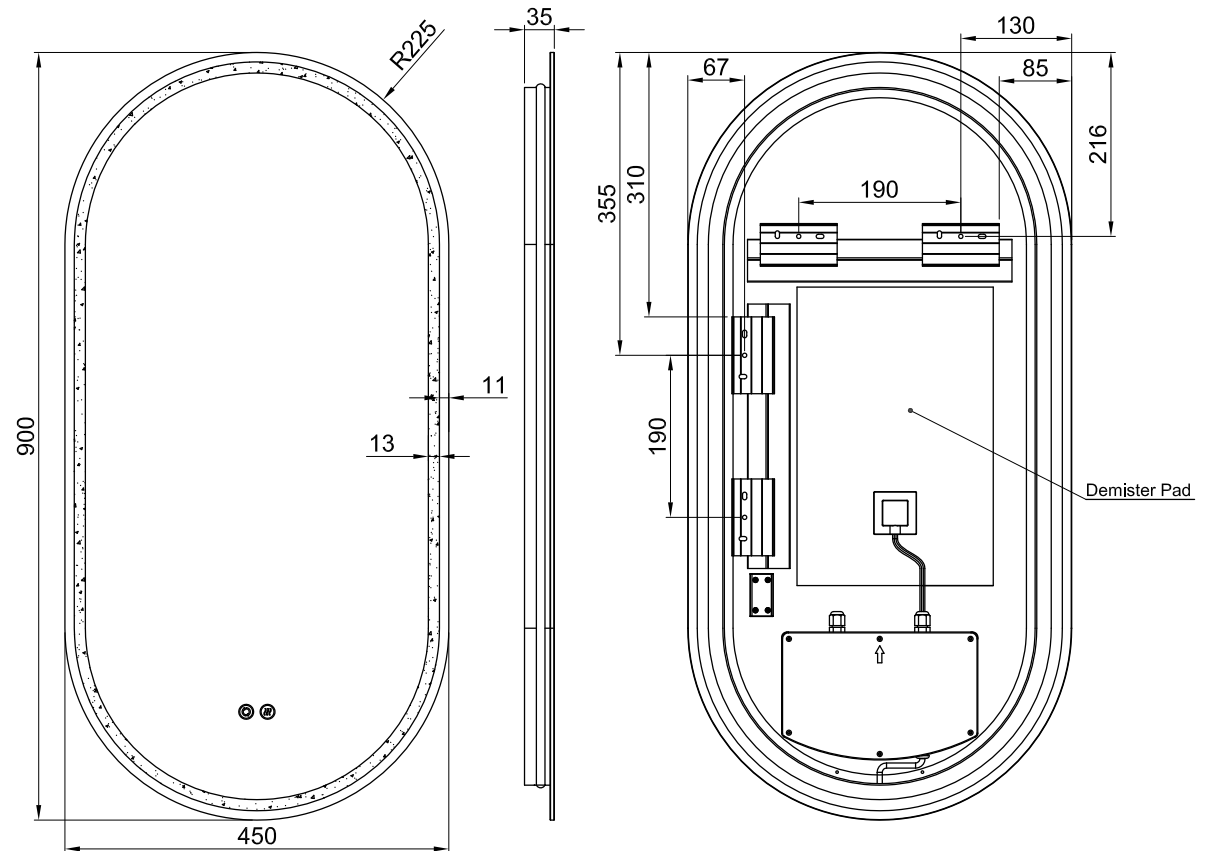
Copper Free Mirror
LED Lighting (Adjustable Colour Temperature)
Backlit
Touch Sensor
Demister with 1 Hour Auto Cut-off

**LIGHTING SPECIFICATIONS**

CCT	2700K - 6500K
CRI	>80

**INSTALLATION**

Wall mount
Hardwire
Input voltage: 220-240v 50Hz



Disclaimer: All LED Products requiring hardwiring must be installed by a licensed electrician in accordance with local regulations. Sizes are in mm and nominal and should be checked prior to installation. Actual colours may vary so please check colour samples before ordering. Installation is acceptance of our products. Installation of faulty, warped, chipped or damaged products will void our warranty.

Please check actual product in box for bracket type used

# GATSBY 450X900D

## LED MIRROR WITH ALUMINIUM FRAME

### SPECIFICATIONS

WIDTH	460mm
HEIGHT	910mm
DEPTH	40mm
WEIGHT	8kg
ORIENTATION	Portrait

### LIGHTING SPECIFICATIONS

CCT	2700K - 6500K
CRI	>80

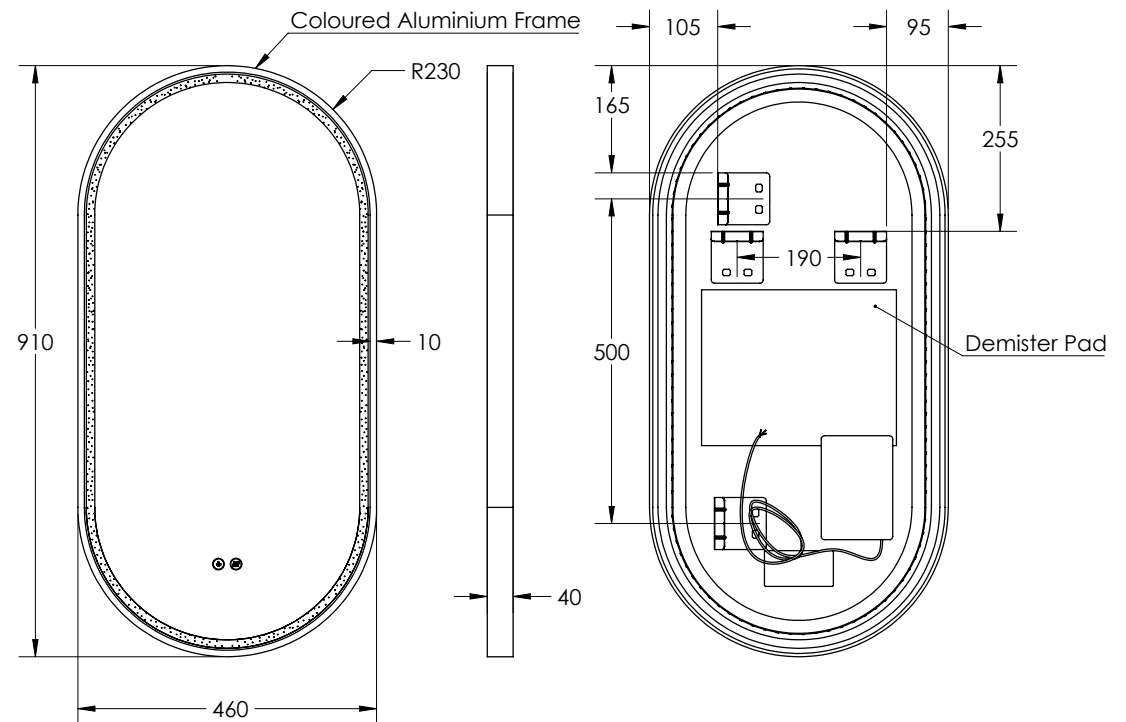
### INSTALLATION

Wall mount
Hardwire
Input voltage: 220-240v 50Hz

### FEATURES

Copper Free Mirror
LED Lighting (Adjustable Colour Temperature)
Frontlit
Touch Sensor
Demister with 1 Hour Auto Cut-off

FINISH		PRODUCT CODE
Brushed Brass		G4590D-BB
Brushed Nickel		G4590D-BN
Gun Metal		G4590D-GM
Matte Black		G4590D-MB
Matte White		G4590D-MW



Disclaimer: All LED Products requiring hardwiring must be installed by a licensed electrician in accordance with local regulations. Sizes are in mm and nominal and should be checked prior to installation. Actual colours may vary so please check colour samples before ordering. Installation is acceptance of our products. Installation of faulty, warped, chipped or damaged products will void our warranty.

Please check actual product in box for bracket type used

# GATSBY 450X900D

## LED MIRROR WITH ALUMINIUM FRAME

### SPECIFICATIONS

WIDTH	455mm
HEIGHT	905mm
DEPTH	40mm
WEIGHT	8kg
ORIENTATION	Portrait

### LIGHTING SPECIFICATIONS

CCT	2700K - 6500K
CRI	>80

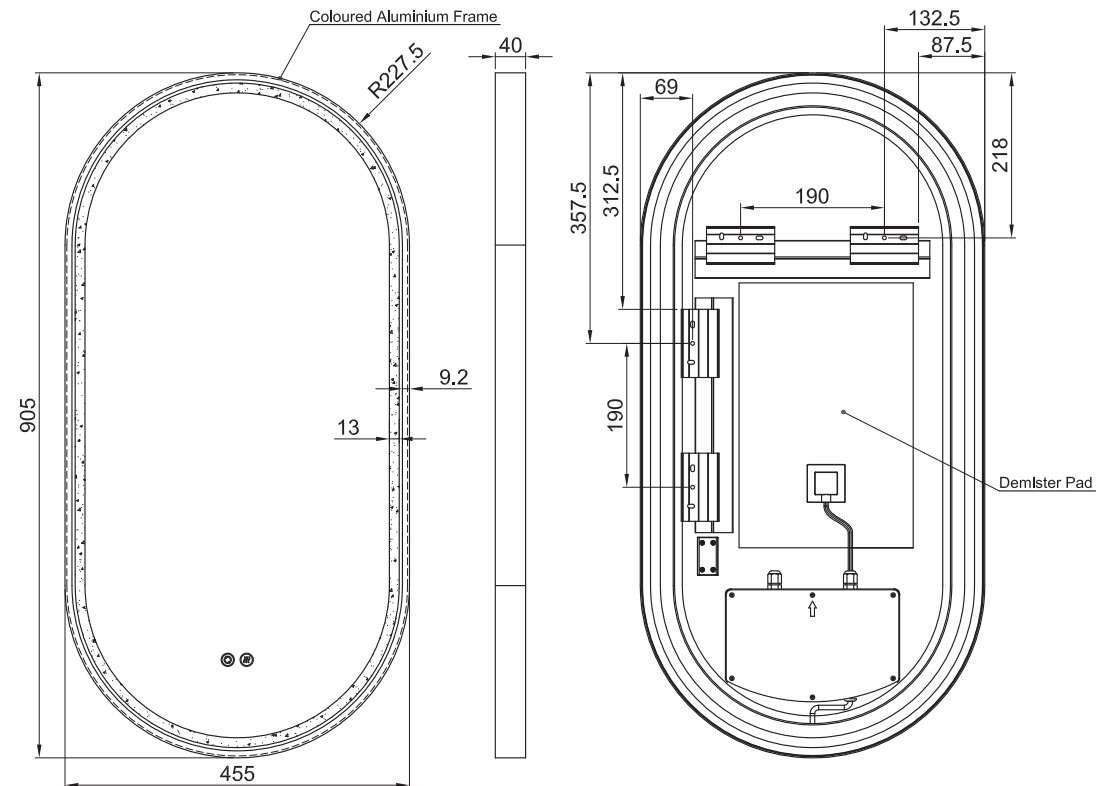
### INSTALLATION

Wall mount
Hardwire
Input voltage: 220-240v 50Hz

### FEATURES

Copper Free Mirror
LED Lighting (Adjustable Colour Temperature)
Frontlit
Touch Sensor
Demister with 1 Hour Auto Cut-off

FINISH		PRODUCT CODE
Brushed Brass		G4590D-BB
Brushed Nickel		G4590D-BN
Gun Metal		G4590D-GM
Matte Black		G4590D-MB
Matte White		G4590D-MW



Disclaimer: All LED Products requiring hardwiring must be installed by a licensed electrician in accordance with local regulations. Sizes are in mm and nominal and should be checked prior to installation. Actual colours may vary so please check colour samples before ordering. Installation is acceptance of our products. Installation of faulty, warped, chipped or damaged products will void our warranty.