

# Essente 316

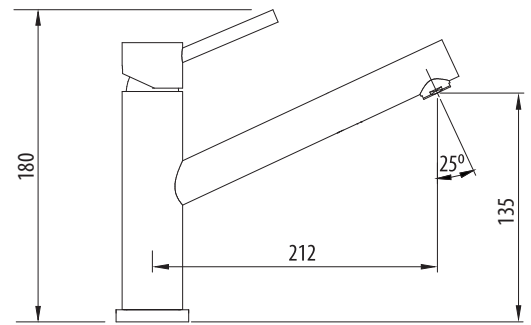
Lead FREE

**316** | Marine Grade Stainless Steel

All dimensions in mm

**SS31610**

Stainless Steel Swivel Mixer



## Specifications /

<b>WELS rating</b>	5 Stars, 6.0 L per minute
<b>WELS registration number</b>	T43177
<b>Temperature rating (min / max)</b>	1°C - 65°C
<b>Pressure rating (min / max)</b>	150 kPa - 500 kPa
<b>Finish</b>	Natural (stainless steel)
<b>Materials</b>	316 Grade stainless steel body and handle
<b>Cartridge size</b>	35 mm
<b>Cartridge type</b>	Ceramic disc cartridge
<b>Carton size</b>	500 x 310 x 75mm
<b>Product weight</b>	2 kg
<b>Mixer height</b>	180 mm
<b>Water supply</b>	Mains
<b>Warranty</b>	15 years (see Oliveri website for full details)
<b>Maintenance and care instructions</b>	All surfaces should be cleaned with mild liquid detergent or soap and water. Do not use cream cleaners or citrus based cleaning products, as they are abrasive. Use of unsuitable cleaning agents may damage the surface. Any damage caused in this way will not be covered by warranty.