

FLUSH TO WALL RIMLESS SPECIAL NEEDS TOILET SUITE

CODE:
JTTV341.333.317BL
JTTV341.333.317GR
JTTV341.333.317WH

FEATURES

- Flush to wall vitreous china suite designed for Special Needs applications
- Extended projection WC pan for wheelchair side access - AS1428.1:2021 compliant.
- Rimless bowl design for hygienic flushing
- Cistern with concealed back and bottom entry water inlet
- Raised flush buttons for ease of operation
- Special Needs seat (Blue or Grey) with lateral stabilisers - White seat also available
- Variable S Trap pan connector (110-335 set out)



COMPONENTS

VENEZIA _{CARE} BTW pan		JTTV341
VENEZIA _{CARE} cistern		JTTV333
Care toilet seat	Blue	JSEV317BL
	Grey	JSEV317GR
	White	JSEV317WH
Raise push buttons	Chrome	RA3631C
	Blue	RA3631B
	Grey	RA3631G
	White	RA3631W
Variable pan connector (Included)		XJ334 (110-190mm)
Variable pan connector (Not Included)		X011B (190-335MM)

Special Note:

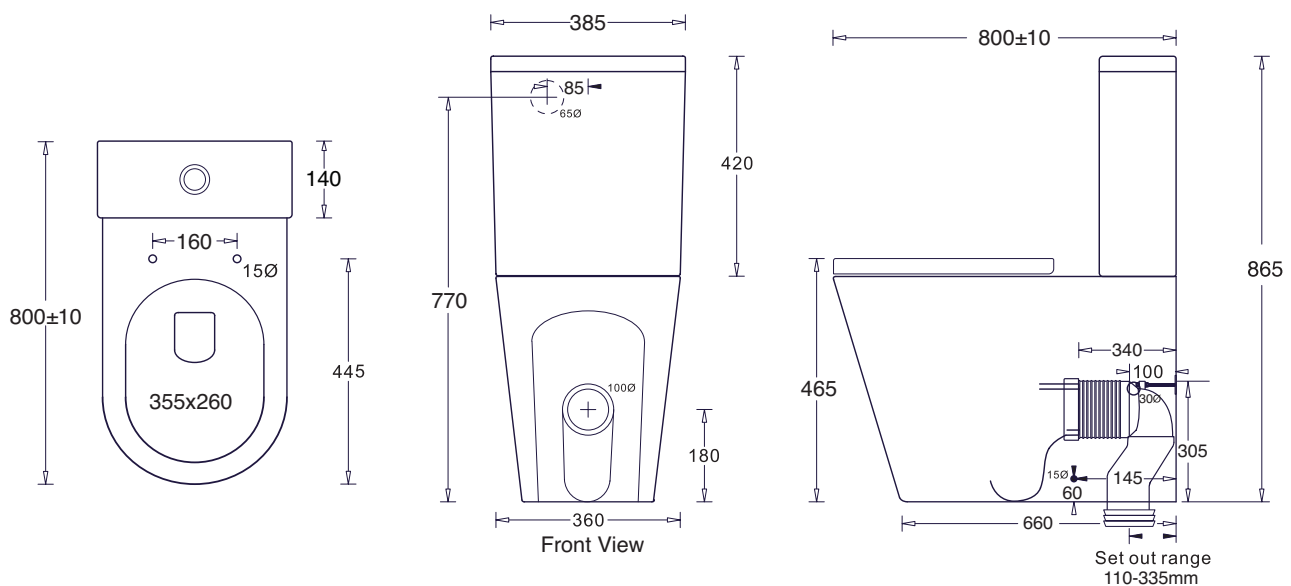
For compliance with AS1428.1:2021 the seat is available in grey or blue colour to provide contrast for vision impaired individuals. The seat also has lateral stabilisers fitted for people with ambulatory limitations and there is no seat lid. Note that the design of the installation must comply with AS1428.1:2021 -Design for access and mobility

WARRANTY

Vitreous china 25 year replacement
Toilet seat 5 year replacement
-refer to T&Cs at www.johnsonsuiss.com.au



PRODUCT DIMENSIONS



TECHNICAL DATA SHEET

SUPERSEDES ALL PREVIOUS ISSUES

All dimensions are in millimetres and are subject to normal manufacturing variation. As product development is ongoing BPA reserves the right to vary specifications without notice. Bathroom Products Australia Pty Ltd ABN 87 079 297 617