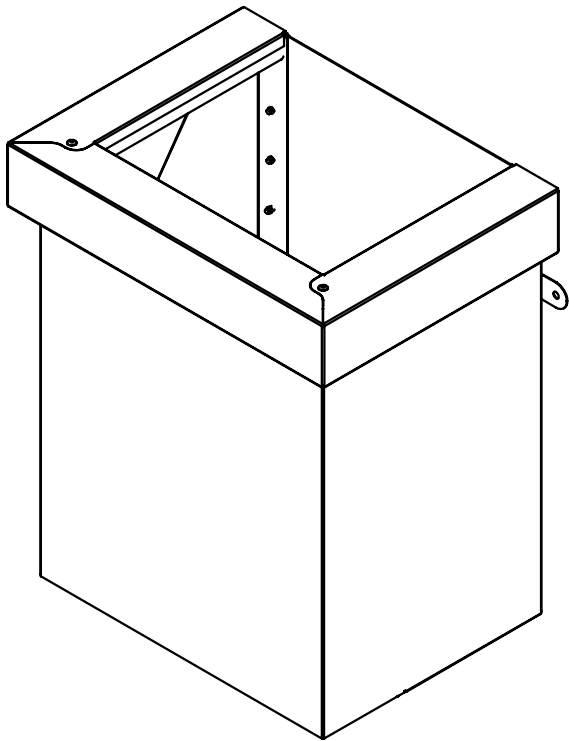


Optional Top Trim





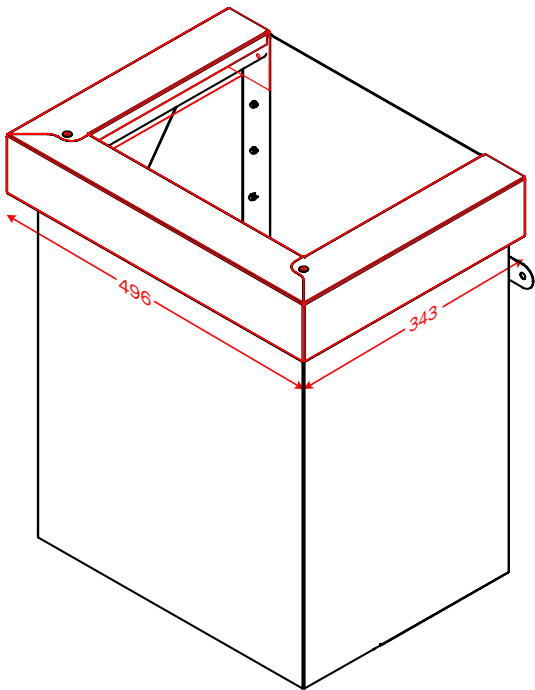
R400 Top Trim

The optional Top Trim or Beading is fitted to the top of the Rainheads at the Manufacturing stage.

The 400 Top trim fill only fit on the R400 flat or fitted back units.

They can also be retro fitted at a later date is required.

R400 Top Trim Dimensions



Classic finish - Main Colours Always in Stock ETA 24-48 Hrs



Monument®
Classic finish
SA = 0.73



Surfmat®
Classic finish
SA = 0.33



Night Sky®
Classic finish
SA = 0.95



Shale Grey™
Classic finish
SA = 0.44



Dover White™
Classic finish
SA = 0.28



Woodland Grey®
Classic finish
SA = 0.70

Classic finish - Secondary Colours Made to Order ETA 5-7 days



Evening Haze®
Classic finish
SA = 0.43



Southern®
Classic finish
SA = 0.40



Dune®
Classic finish
SA = 0.48



Paperbark®
Classic finish
SA = 0.43



Classic Cream™
Classic finish
SA = 0.33



Bluegun®
Classic finish
SA = 0.57



Windspray®
Classic finish
SA = 0.60



Gully®
Classic finish
SA = 0.64

Classic finish - Secondary Colours Made to Order ETA 5-7 days



Jasper®
Classic finish
SA = 0.67



Wallaby®
Classic finish
SA = 0.64



Basalt®
Classic finish
SA = 0.67



Ironstone®
Classic finish
SA = 0.73



Deep Ocean®
Classic finish
SA = 0.74



Collage Green®
Classic finish
SA = 0.73



Pale Eucalypt®
Classic finish
SA = 0.60



Manor Red®
Classic finish
SA = 0.70

ULTRA finish - Special Colours Made to Order ETA 7-10 days



Monument®
ULTRA finish
SA = 0.73



Surfmat®
ULTRA finish
SA = 0.33



Shale Grey™
ULTRA finish
SA = 0.44



Woodland Grey®
ULTRA finish
SA = 0.70



Dune®
ULTRA finish
SA = 0.48



Wallaby®
ULTRA finish
SA = 0.66



Windspray®
ULTRA finish
SA = 0.60

Matt finish - Special Colours Made to Order ETA 7-10 days



Bluegun®
Matt finish
SA = 0.59



Shale Grey™
Matt finish
SA = 0.46



Surfmat®
Matt finish
SA = 0.35



Monument®
Matt finish
SA = 0.79



Basalt®
Matt finish
SA = 0.71



Dune®
Matt finish
SA = 0.48