






Dolce Shower Mixer With Diverter Separate Back Plate Trim Kits Only

Finish & SKU

 Chrome NR250811etCH	 Brushed Nickel NR250811etBN
 Matte Black NR250811etMB	 Brushed Gold NR250811etBG
 Gun Metal NR250811etGM	



Specifications

Watermark License

WM-060073

Temperature Rating

Min 1°C-Max 75°C

Pressure Rating

Min 150kpa-Max 500kpa

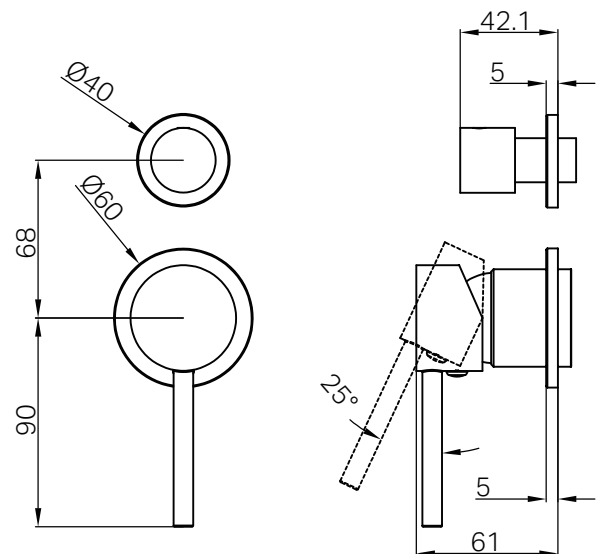
Warranty



Lead Free

Features

- Metal wall plate construction for longevity
- Compatible with project 35mm universal shower mixer with Diverter bod



Maintenance And Care

- Regularly check the mixer and connections for signs of wear or leaks.
- Clean the tap with mild soapy water to maintain its appearance, avoiding harsh chemicals and abrasive materials that may damage the finish.

- Dimensions are nominal measurements only.