






130mm Square Tile Insert Floor Waste 100mm Outlet

Finish & SKU

 Matte Black NRFW008MB	 Brushed Nickel NRFW008BN
 Brushed Gold NRFW008BG	 Gun Metal NRFW008GM
 Brushed Bronze NRFW008BZ	



Specifications

Watermark License

WM-032203

Temperature Rating

Min 1°C-Max 75°C

Pressure Rating

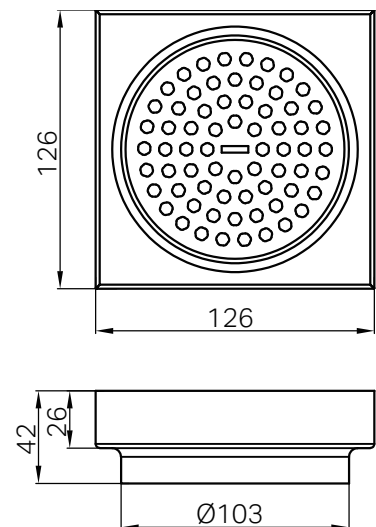
Min 150kpa-Max 500kpa

Warranty



Features

- Manufactured from 304 stainless steel
- Slimline for easy installation
- 100mm outlet



Maintenance And Care

- Regularly check the mixer and connections for signs of wear or leaks.
- Clean the tap with mild soapy water to maintain its appearance, avoiding harsh chemicals and abrasive materials that may damage the finish.

- Dimensions are nominal measurements only.