

ARLO

ARLO SHOWER / BATH DIVERTER MIXER (TRIM KIT ONLY)

SPECIFICATIONS

AVAILABLE IN



151-7940-00
Chrome



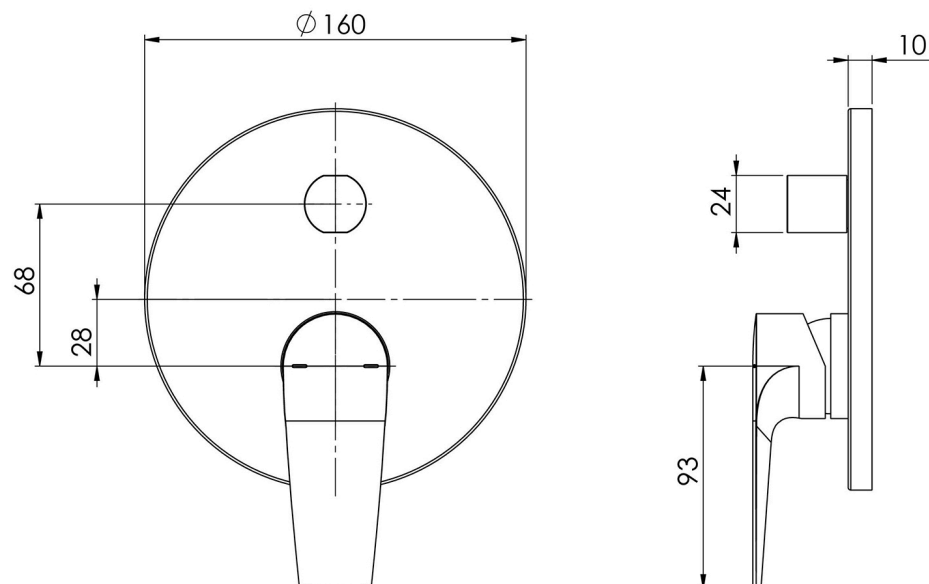
151-7940-40
Brushed Nickel



151-7940-10
Matte Black



151-7940-12
Brushed Gold



INFORMATION

Temperature Rating
1 - 75°C

Pressure Rating
150 - 500kPa

MAINTENANCE AND CARE:

- All surfaces should be cleaned with mild liquid detergent or soap and water.
- Do not use cream cleaners or citrus based cleaning products, as they are abrasive.
- Use of unsuitable cleaning agents may damage the surface.
- Any damage caused in this way will not be covered by warranty.

Please visit <https://www.phoenixtapware.com.au/warranty> to view the full warranty