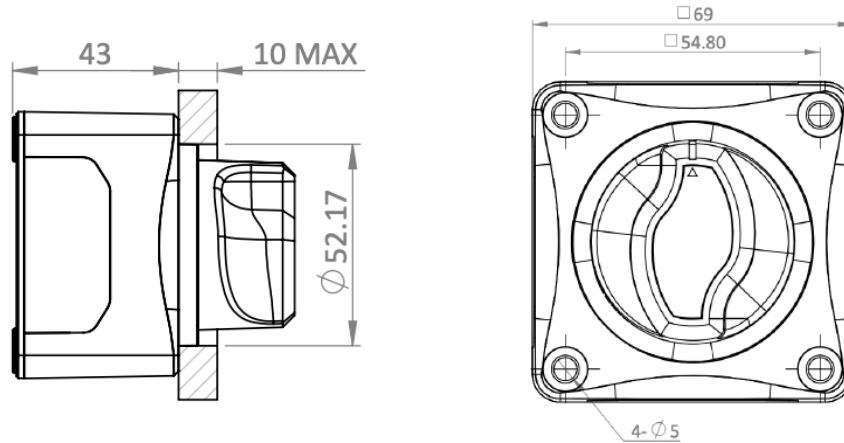


# Master Disconnect Switches

## Battery Master Disconnect Switches



(Line Drawings for P# 765227 & 765225)

### Single Battery (Disconnect Function)

- 765227**
- 12-50VDC
  - Continuous Rating: 275A @ 12VDC
  - Intermittent Rating: 455A @ 12VDC (5 minutes)
  - Crank Rating: 1250A @ 12VDC (10 seconds)
  - Panel & Surface Mount
  - Terminal Studs: 2 x 3/8"
  - Removeable windows for unobstructed wiring
  - Meets Ignition Protection Standard (ISO 8846 / SAE J1171)



765227

### 2-Battery (Disconnect & Selector Functions)

- 765225**
- Allows for selection of either battery, both batteries in parallel, or complete disconnect of both batteries
  - 12-50VDC
  - Continuous Rating: 100A @ 12VDC
  - Intermittent Rating: 300A @ 12VDC (5 minutes)
  - Crank Rating: 1000A @ 12VDC (10 seconds)
  - Panel & Surface Mount
  - Terminal Studs: 3 x 5/16"
  - Removeable windows for unobstructed wiring



765225