

# Lighting & Safety Equipment



## LED Snow Plow Lights

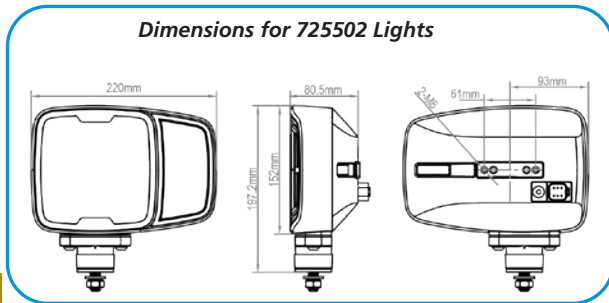
This light features a directional mount that can be applied to the base or back of the light.



- 10-30VDC
- Aluminum Housing (Black)
- Main Light: Heated Glass Lens. Turn Signal: Polycarbonate Lens
- Stainless Steel Hardware
- IP67
- Made with EMC Technology
- M12 x 45mm Stud
- Comes with Deutsch Connection & Installation Hardware
- SAE/DOT Compliant
- Auto Lens Heater
- Bezel-less and Screw-less frame reduces dirt/snow/ice accumulation



- 3564 Lumens** (High Beam)
- 1620 Lumens** (Low Beam)
- 328 Lumens** (Turn Signal)
- 47 Lumens** (Position Light)



Description	Part #
Curbside Light (1 PC)	*725502-TC
Roadside Light (1 PC)	*725502-RR
1 SET (2 PCS)	*725502-PR

Description	Lumens	Current Draw
High Beam	3564	1.76A @ 12V, 0.88A @ 24V
Low Beam	1620	1.48A @ 12V, 0.74A @ 24V
Heating Element	-	-

K

## Dual Lamp Harness for 725502-series LED Snow Plow Lights



Functions	Certificate
Low Beam	DOT/SAE
High Beam	DOT/SAE
Position Light	-
Turn Signal Light	-



- Ground Negative Pole
- High Beam
- Low Beam
- Curbside Indicator
- Park Light
- Roadside Indicator

Description	1 PC/PK
Dual Lamp Harness for LED Snow Plow Lights	725503



Deutsch Connection