

Lighting & Safety Equipment

LED Snow Plow Lights

Detachable Amber Turn Signal Lamp can be mounted in the Right, Middle or Left position



Description	Part #
1 SET (2 PCS)	725500-PR

- 10-30VDC
- Aluminum Housing (Black)
- Glass Lens (Tempered)
- Stainless Steel Hardware
- IP68
- Made with EMC Technology
- 3/8" Stud
- Comes with Deutsch Connection & Installation Hardware
- SAE/DOT compliant
- Auto Lens Heater
- Automatic heating sensor will be activated when the environment temperature is $\leq -3^{\circ}\text{C}$



Description	Lumens	Optimal Beam Distance	Current Draw
High Beam	3600	1600FT (487m)	3.0A @ 12V, 1.50A @ 24V
Low Beam	1800	980FT (298m)	1.7A @ 12V, 0.85A @ 24V
Heating Element	-	-	1.9A @ 12V



*REDUCES YOUR STOCK REQUIREMENT

Turn Signal Light can be mounted in the Right, Middle, or Left position!

Back View

Side View

Features	Benefits
Auto Lens Heater	Melts snow off for better visibility (Increases Safety)
SAE/DOT compliant as a High & Low Beam Headlight, Turn Signal, Parking Lamp	Legal for "On-Road" Use
Detachable Turn Signal*	Can be mounted in the Right, Left or Middle position.
Universal Mounting*	Horizontal or Vertical Mount
Deutsch Connection (6-Pin)	Environmentally Sealed Connections
EMC Technology	Protection against RFI

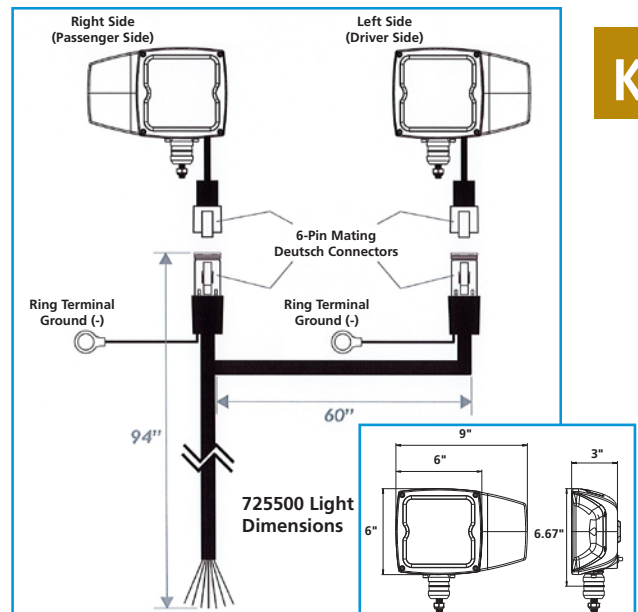
Dual Lamp Harness for 72550-series LED Snow Plow Lights



USE THE DUAL LAMP HARNESS WITH THE 725500 SERIES SNOW PLOW LIGHTS

Deutsch Connection

Description	1 PC/PK
Dual Lamp Harness for LED Snow Plow Lights	725501



K