

Miniature Circuit Breakers

- Available from 0.5 Amps to 63 Amps
- Thermo-magnetic overcurrent protection
- 10kA short circuit protection
- RoHS compliant
- B, C & D Type tripping curves
- Contact position indicator

UL 489 Approved MCB

Designed for protection of electrical installations against overcurrent in the branch circuit, whilst also allowing motor branch circuit protection, this high performing range of DIN rail mountable MCBs have been manufactured in accordance with UL 489.



UL 489 MCB Applications

Suitable for branch circuit protection whilst providing thermo-magnetic overcurrent protection in applications from 0.5 Amps to 63 Amps. Applications where UL 489 approved MCBs are used:

- Control Panels
- Motor Controls
- Switchboards

In virtually every industry!

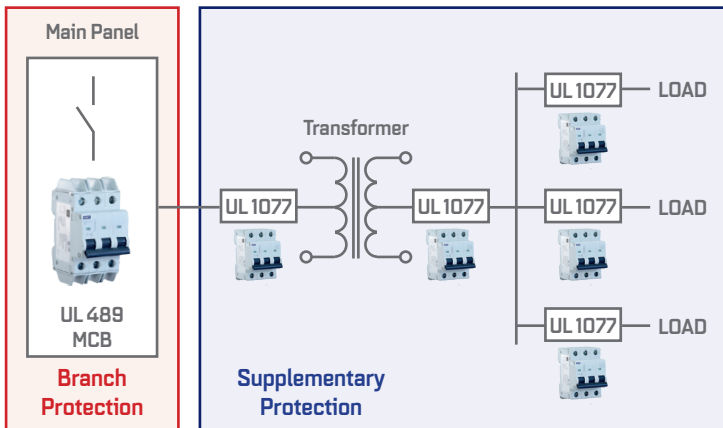
Branch Circuit Protection

Circuit protection at panel level requires higher short circuit protection (interrupting capacity), and as such UL 489 approved MCBs must pass a series of calibration, overload, endurance and short circuit tests that are considerably more rigorous than UL 1077.

Part of achieving UL 489 compliance is the addition of an extension to the body moulding in between each contact for increased isolation.

UL 489 approved MCBs can protect multiple devices at a time, such as an entire control panel. Classified for branch circuit use, they can also be used for outlets or for feeding utilization equipment.

UL 489 approved MCBs can act as the final overcurrent device dedicated to protecting the branch circuits and outlets. It doesn't require the use of an additional backup overcurrent device.



UL 489 MCB - 10kA



UL File No.: E495936 - Approved UL 489 MCB 0.5 Amps to 63 Amps, available in either B*, C or D type tripping curves.

1 Pole C Curve

Part Number	Description
UB10C100.5A	MCB UL 489 1 pole 0.5A C Curve
UB10C1001A	MCB UL 489 1 pole 1A C Curve
UB10C101.6A	MCB UL 489 1 pole 1.6A C Curve
UB10C1002A	MCB UL 489 1 pole 2A C Curve
UB10C1003A	MCB UL 489 1 pole 3A C Curve
UB10C1004A	MCB UL 489 1 pole 4A C Curve
UB10C1005A	MCB UL 489 1 pole 5A C Curve
UB10C1006A	MCB UL 489 1 pole 6A C Curve
UB10C1007A	MCB UL 489 1 pole 7A C Curve
UB10C1008A	MCB UL 489 1 pole 8A C Curve
UB10C1010A	MCB UL 489 1 pole 10A C Curve
UB10C1013A	MCB UL 489 1 pole 13A C Curve
UB10C1015A	MCB UL 489 1 pole 15A C Curve
UB10C1016A	MCB UL 489 1 pole 16A C Curve
UB10C1020A	MCB UL 489 1 pole 20A C Curve
UB10C1025A	MCB UL 489 1 pole 25A C Curve
UB10C1030A	MCB UL 489 1 pole 30A C Curve
UB10C1032A	MCB UL 489 1 pole 32A C Curve
UB10C1040A	MCB UL 489 1 pole 40A C Curve
UB10C1050A	MCB UL 489 1 pole 50A C Curve
UB10C1063A	MCB UL 489 1 pole 63A C Curve

2 Poles C Curve

Part Number	Description
UB10C200.5A	MCB UL 489 2 pole 0.5A C Curve
UB10C2001A	MCB UL 489 2 pole 1A C Curve
UB10C201.6A	MCB UL 489 2 pole 1.6A C Curve
UB10C2002A	MCB UL 489 2 pole 2A C Curve
UB10C2003A	MCB UL 489 2 pole 3A C Curve
UB10C2004A	MCB UL 489 2 pole 4A C Curve
UB10C2005A	MCB UL 489 2 pole 5A C Curve
UB10C2006A	MCB UL 489 2 pole 6A C Curve
UB10C2007A	MCB UL 489 2 pole 7A C Curve
UB10C2008A	MCB UL 489 2 pole 8A C Curve
UB10C2010A	MCB UL 489 2 pole 10A C Curve
UB10C2013A	MCB UL 489 2 pole 13A C Curve
UB10C2015A	MCB UL 489 2 pole 15A C Curve
UB10C2016A	MCB UL 489 2 pole 16A C Curve
UB10C2020A	MCB UL 489 2 pole 20A C Curve
UB10C2025A	MCB UL 489 2 pole 25A C Curve
UB10C2030A	MCB UL 489 2 pole 30A C Curve
UB10C2032A	MCB UL 489 2 pole 32A C Curve
UB10C2040A	MCB UL 489 2 pole 40A C Curve
UB10C2050A	MCB UL 489 2 pole 50A C Curve
UB10C2063A	MCB UL 489 2 pole 63A C Curve

3 Poles C Curve

Part Number	Description
UB10C300.5A	MCB UL 489 3 pole 0.5A C Curve
UB10C3001A	MCB UL 489 3 pole 1A C Curve
UB10C301.6A	MCB UL 489 3 pole 1.6A C Curve
UB10C3002A	MCB UL 489 3 pole 2A C Curve
UB10C3003A	MCB UL 489 3 pole 3A C Curve
UB10C3004A	MCB UL 489 3 pole 4A C Curve
UB10C3005A	MCB UL 489 3 pole 5A C Curve
UB10C3006A	MCB UL 489 3 pole 6A C Curve
UB10C3007A	MCB UL 489 3 pole 7A C Curve
UB10C3008A	MCB UL 489 3 pole 8A C Curve
UB10C3010A	MCB UL 489 3 pole 10A C Curve
UB10C3013A	MCB UL 489 3 pole 13A C Curve
UB10C3015A	MCB UL 489 3 pole 15A C Curve
UB10C3016A	MCB UL 489 3 pole 16A C Curve
UB10C3020A	MCB UL 489 3 pole 20A C Curve
UB10C3025A	MCB UL 489 3 pole 25A C Curve
UB10C3030A	MCB UL 489 3 pole 30A C Curve
UB10C3032A	MCB UL 489 3 pole 32A C Curve
UB10C3040A	MCB UL 489 3 pole 40A C Curve
UB10C3050A	MCB UL 489 3 pole 50A C Curve
UB10C3063A	MCB UL 489 3 pole 63A C Curve

1 Pole D Curve

Part Number	Description
UB10D100.5A	MCB UL 489 1 pole 0.5A D Curve
UB10D1001A	MCB UL 489 1 pole 1A D Curve
UB10D101.6A	MCB UL 489 1 pole 1.6A D Curve
UB10D1002A	MCB UL 489 1 pole 2A D Curve
UB10D1003A	MCB UL 489 1 pole 3A D Curve
UB10D1004A	MCB UL 489 1 pole 4A D Curve
UB10D1005A	MCB UL 489 1 pole 5A D Curve
UB10D1006A	MCB UL 489 1 pole 6A D Curve
UB10D1007A	MCB UL 489 1 pole 7A D Curve
UB10D1008A	MCB UL 489 1 pole 8A D Curve
UB10D1010A	MCB UL 489 1 pole 10A D Curve
UB10D1013A	MCB UL 489 1 pole 13A D Curve
UB10D1015A	MCB UL 489 1 pole 15A D Curve
UB10D1016A	MCB UL 489 1 pole 16A D Curve
UB10D1020A	MCB UL 489 1 pole 20A D Curve
UB10D1025A	MCB UL 489 1 pole 25A D Curve
UB10D1030A	MCB UL 489 1 pole 30A D Curve
UB10D1032A	MCB UL 489 1 pole 32A D Curve
UB10D1040A	MCB UL 489 1 pole 40A D Curve
UB10D1050A	MCB UL 489 1 pole 50A D Curve
UB10D1063A	MCB UL 489 1 pole 63A D Curve

2 Poles D Curve

Part Number	Description
UB10D200.5A	MCB UL 489 2 pole 0.5A D Curve
UB10D2001A	MCB UL 489 2 pole 1A D Curve
UB10D201.6A	MCB UL 489 2 pole 1.6A D Curve
UB10D2002A	MCB UL 489 2 pole 2A D Curve
UB10D2003A	MCB UL 489 2 pole 3A D Curve
UB10D2004A	MCB UL 489 2 pole 4A D Curve
UB10D2005A	MCB UL 489 2 pole 5A D Curve
UB10D2006A	MCB UL 489 2 pole 6A D Curve
UB10D2007A	MCB UL 489 2 pole 7A D Curve
UB10D2008A	MCB UL 489 2 pole 8A D Curve
UB10D2010A	MCB UL 489 2 pole 10A D Curve
UB10D2013A	MCB UL 489 2 pole 13A D Curve
UB10D2015A	MCB UL 489 2 pole 15A D Curve
UB10D2016A	MCB UL 489 2 pole 16A D Curve
UB10D2020A	MCB UL 489 2 pole 20A D Curve
UB10D2025A	MCB UL 489 2 pole 25A D Curve
UB10D2030A	MCB UL 489 2 pole 30A D Curve
UB10D2032A	MCB UL 489 2 pole 32A D Curve
UB10D2040A	MCB UL 489 2 pole 40A D Curve
UB10D2050A	MCB UL 489 2 pole 50A D Curve
UB10D2063A	MCB UL 489 2 pole 63A D Curve

3 Poles D Curve

Part Number	Description
UB10D300.5A	MCB UL 489 3 pole 0.5A D Curve
UB10D3001A	MCB UL 489 3 pole 1A D Curve
UB10D301.6A	MCB UL 489 3 pole 1.6A D Curve
UB10D3002A	MCB UL 489 3 pole 2A D Curve
UB10D3003A	MCB UL 489 3 pole 3A D Curve
UB10D3004A	MCB UL 489 3 pole 4A D Curve
UB10D3005A	MCB UL 489 3 pole 5A D Curve
UB10D3006A	MCB UL 489 3 pole 6A D Curve
UB10D3007A	MCB UL 489 3 pole 7A D Curve
UB10D3008A	MCB UL 489 3 pole 8A D Curve
UB10D3010A	MCB UL 489 3 pole 10A D Curve
UB10D3013A	MCB UL 489 3 pole 13A D Curve
UB10D3015A	MCB UL 489 3 pole 15A D Curve
UB10D3016A	MCB UL 489 3 pole 16A D Curve
UB10D3020A	MCB UL 489 3 pole 20A D Curve
UB10D3025A	MCB UL 489 3 pole 25A D Curve
UB10D3030A	MCB UL 489 3 pole 30A D Curve
UB10D3032A	MCB UL 489 3 pole 32A D Curve
UB10D3040A	MCB UL 489 3 pole 40A D Curve
UB10D3050A	MCB UL 489 3 pole 50A D Curve
UB10D3063A	MCB UL 489 3 pole 63A D Curve

* Type B Curve available upon request.