

Circuit Breakers

Low Amperage Circuit Breakers

Typically used in auxiliary and accessory circuits for Trucks, Buses, RVs and Marine applications (Maximum 32VDC). Other applications may include battery charger systems as well as DC audio systems. Rated at **IP67**, they also contain stud insulators to protect from dust, dirt and moisture. Housings are manufactured with Thermoset plastic (UL rated 94VO). Manual Reset Circuit Breakers feature a unique and simple reset mechanism that also provides an easy indication of an open circuit... the lever becomes visible. **Compliant to SAE J553, J1171, J1428, J1625.** Ignition Protected.

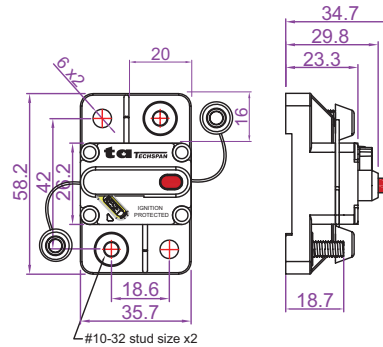


Manual Reset (Type 3), Surface Mount – Offset Studs

Amperage	Stud Size	Part#
10A	#10-32	*566513
15A	#10-32	*566514
20A	#10-32	*566515
25A	#10-32	*566516
30A	#10-32	*566517
40A	#10-32	*566518
50A	#10-32	*566519
60A	#10-32	*566520



Manual Reset Circuit Breakers feature a unique and simple reset mechanism that also provides an easy indication of an open circuit... the lever becomes visible.



Low Amperage Circuit Breakers