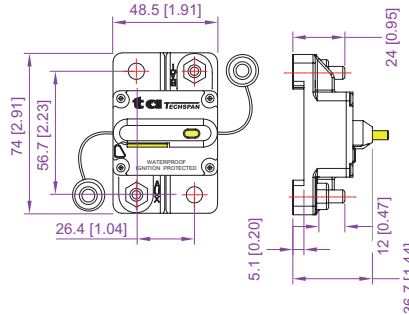


Circuit Breakers

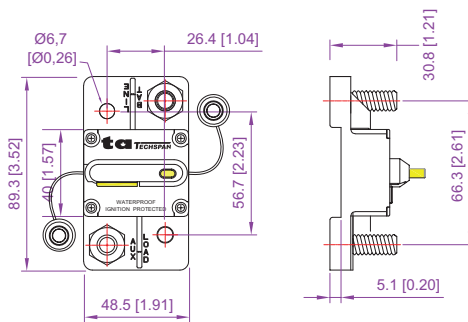
High Amperage Circuit Breakers

Typically used in auxiliary and accessory circuits for Trucks, Buses, RVs and Marine applications (Maximum 32VDC). Other applications may include battery charger systems as well as DC audio systems. Rated at **IP67**, they also contain stud insulators to protect from dust, dirt and moisture. Housings are manufactured with Thermoset plastic (UL rated 94V0). Manual Reset Circuit Breakers feature a unique and simple reset mechanism that also provides an easy indication of an open circuit... the lever becomes visible. **Compliant to SAE J553 (50A to 200A), J1171, J1428, J1625.** Ignition Protected.

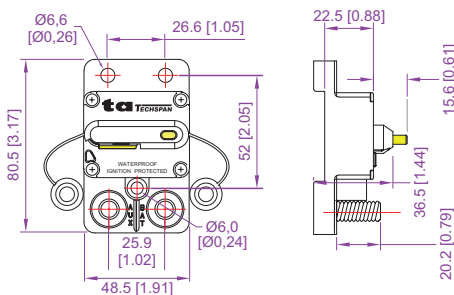
Temperature Ratings: Operating: -32°C (-25°F) to 82°C (180°F)
 Storage: -34°C (-30°F) to 149°C (300°F)



50A to 150A, Manual Reset, Offset Studs



200A to 300A, Manual Reset, Offset Studs



50A to 200A, Manual Reset, Parallel Studs (Same Side)

Manual Reset (Type 3), Surface Mount – Offset Studs

Amperage	Stud Size	1 PC/PK	10 PCS/PK
50A	1/4"	566018	566018B
60A	1/4"	566019	566019B
70A	1/4"	566024	566024B
80A	1/4"	566025	566025B
100A	1/4"	566026	566026B
120A	1/4"	566027	566027B
135A	1/4"	566028	566028B
150A	1/4"	566029	566029B

200A	3/8"	566017	566017B
250A	3/8"	*566012	*566012B
300A	3/8"	*566037	*566037B



Manual Reset (Type 3), Surface Mount – Parallel Studs (Same Side)

Amperage	Stud Size	Part#
50A	5/16"	*566489
60A	5/16"	*566490
80A	5/16"	*566492
100A	5/16"	*566493
135A	5/16"	*566495
150A	5/16"	*566496
200A	5/16"	*566497