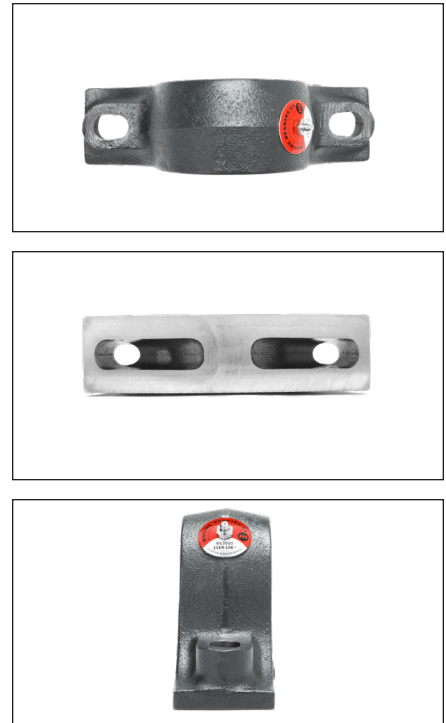
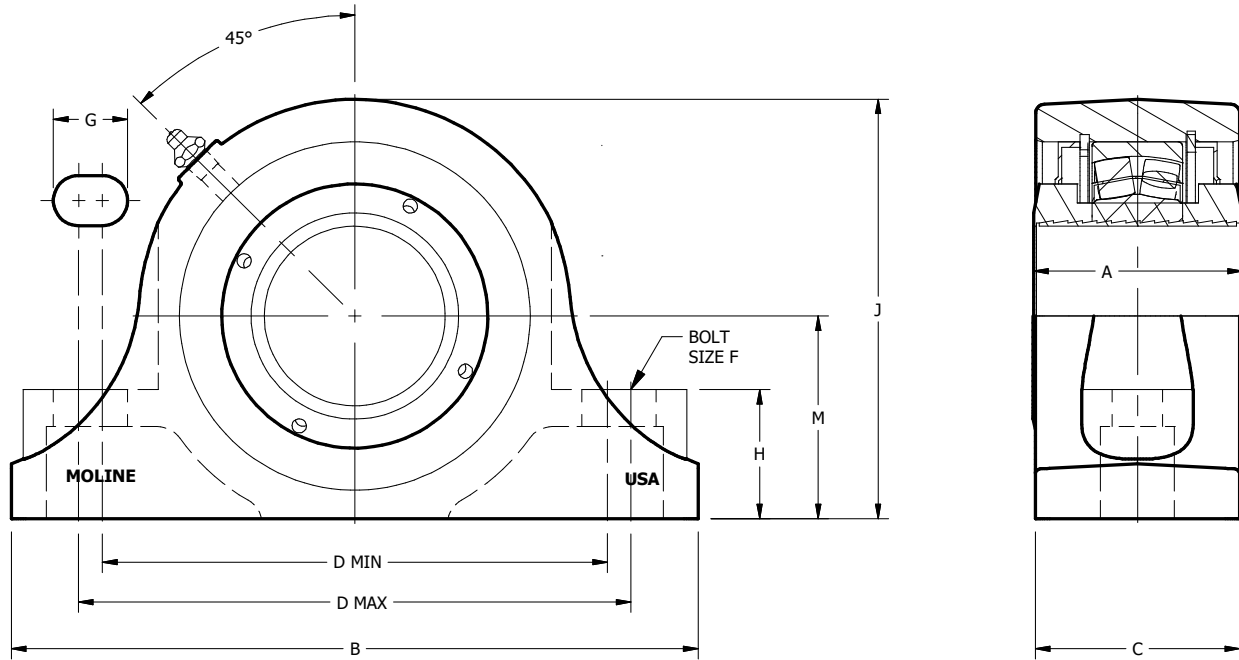


M3000 EVEN-LOK™ 2-BOLT PILLOW BLOCK



For personal service 800.242.4633
 CAD drawings at no additional charge
 For nomenclature see pages 240 and 241

MOLINE BEARING CO



M3000 EVEN-LOK™ 2-BOLT PILLOW BLOCK

SHAFT SIZE	MOLINE PART #		DIMENSIONS (INCHES)											WEIGHT LBS.
	EXP	NON-EXP	A	B	C	MIN D	CENTER TO CENTER D	MAX D	F	G	H	J	M	
1 ⁷ / ₁₆ 1 ¹ / ₂	19621107 19621108	19721107 19721108	2 ⁹ / ₁₆	6 ⁷ / ₈	2 ³ / ₁₆	4 ¹¹ / ₁₆	5	5 ⁵ / ₁₆	1/2	1 ⁵ / ₁₆	1 ³ / ₁₆	3 ⁷ / ₈	1 ⁷ / ₈	6.9
1 ¹¹ / ₁₆ 1 ³ / ₄	19621111 19621112	19721111 19721112	2 ⁹ / ₁₆	7 ³ / ₈	2 ³ / ₁₆	5 ³ / ₁₆	5 ¹ / ₂	5 ¹³ / ₁₆	1/2	1 ⁵ / ₁₆	1 ⁵ / ₁₆	4 ¹ / ₄	2 ¹ / ₈	8.1
1 ¹⁵ / ₁₆ 2	19621115 19621200	19721115 19721200	2 ⁹ / ₁₆	8 ³ / ₈	2 ³ / ₁₆	5 ¹⁵ / ₁₆	6 ¹ / ₄	6 ⁹ / ₁₆	5/8	1	1 ³ / ₈	4 ⁹ / ₁₆	2 ¹ / ₄	9.1
2 ³ / ₁₆	19621203	19721203	2 ¹⁹ / ₃₂	8 ⁷ / ₈	2 ¹ / ₂	6 ⁷ / ₁₆	6 ³ / ₄	7 ¹ / ₁₆	5/8	1	1 ⁵ / ₈	5	2 ¹ / ₂	11.8
2 ⁷ / ₁₆ 2 ¹ / ₂	19621207 19621208	19721207 19721208	2 ¹³ / ₁₆	9 ¹ / ₄	2 ³ / ₄	6 ¹³ / ₁₆	7 ¹ / ₈	7 ⁷ / ₁₆	5/8	1	1 ³ / ₄	5 ¹¹ / ₁₆	2 ³ / ₄	16.2
2 ¹¹ / ₁₆ 2 ³ / ₄ 2 ¹⁵ / ₁₆ 3	19621211 19621212 19621215 19621300	19721211 19721212 19721215 19721300	2 ¹³ / ₁₆	10 ¹ / ₂	2 ¹³ / ₁₆	7 ¹³ / ₁₆	8 ¹ / ₈	8 ⁷ / ₁₆	3/4	1 ¹ / ₈	2 ¹ / ₄	6 ⁷ / ₁₆	3 ¹ / ₄	22.1
3 ⁷ / ₁₆ 3 ¹ / ₂	19621307 19621308	19721307 19721308	3 ²⁵ / ₆₄	13	3 ¹ / ₄	9 ¹ / ₂	10	10 ¹ / ₂	7/8	1 ⁷ / ₁₆	2 ¹ / ₄	7 ¹ / ₂	3 ³ / ₄	31.6
3 ¹⁵ / ₁₆ 4	19621315 19621400	19721315 19721400	3 ³¹ / ₆₄	14 ¹ / ₂	3 ⁹ / ₁₆	10	10 ⁷ / ₈	11 ³ / ₄	1	1 ¹⁵ / ₁₆	2 ¹ / ₂	8 ³ / ₈	4 ¹ / ₈	45

Refer to Mounting and Dismounting Instructions on pages 121 and 122.

