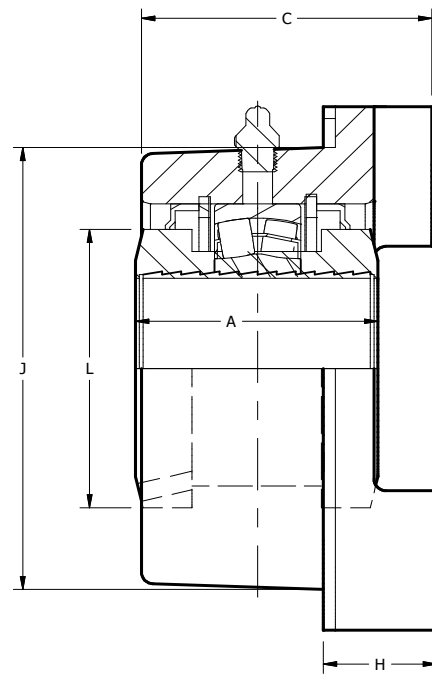
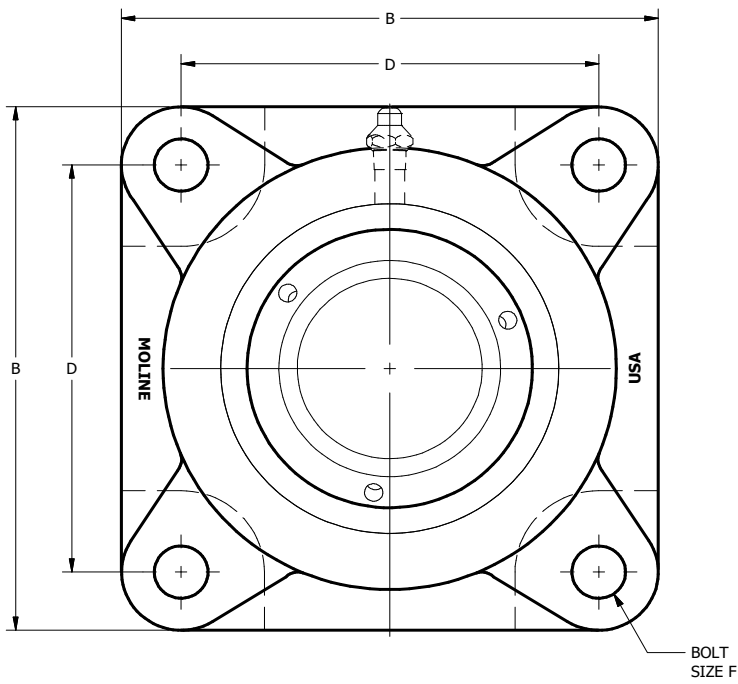


ME3000 EVEN-LOK™ 4-BOLT FLANGE WITH TYPE E DIMENSIONS



ME3000 EVEN-LOK™ 4-BOLT FLANGE WITH TYPE E DIMENSIONS

SHAFT SIZE	MOLINE PART #		DIMENSIONS (INCHES)								WEIGHT LBS.
	EXP	NON-EXP	A	B	C	D	F	H	J	L*	
1 7/16	29611107	29711107	2 9/16	4 5/8	2 19/32	3 1/2	1/2	1 1/16	3 7/8	2 5/8	7.2
1 1/2	29611108	29711108	2 9/16	5 3/8	2 31/32	4 1/8	1/2	1 3/16	4 1/4	2 13/16	11.93
1 11/16	29611111	29711111									11.31
1 3/4	29611112	29711112	2 9/16	5 5/8	3 3/32	4 3/8	1/2	1 3/16	4 1/2	3	12.6
1 15/16	29611115	29711115									11.9
2	29611200	29711200									
2 3/16	29611203	29711203	2 19/32	6 1/4	3 9/32	4 7/8	5/8	1 3/8	4 7/8	3 3/16	14.6
2 7/16	29611207	29711207	2 13/16	6 7/8	3 9/16	5 3/8	5/8	1 1/2	5 3/4	3 5/8	23.5
2 1/2	29611208	29711208									
2 11/16	29611211	29711211	2 13/16	7 3/4	3 15/16	6	3/4	1 5/8	6 1/2	4	31.5
2 3/4	29611212	29711212									
2 15/16	29611215	29711215									
3	29611300	29711300									
3 7/16	29611307	29711307	3 25/64	9 1/4	4 1/2	7	3/4	1 7/8	7 5/8	4 3/4	51.5
3 1/2	29611308	29711308									
3 15/16	29611315	29711315	3 31/64	10 1/4	5 5/8	7 3/4	7/8	2 1/8	8 7/16	5 1/8	64.8
4	29611400	29711400									

Refer to Mounting and Dismounting Instructions on pages 137 and 138.

* In some cases the bearing insert protrudes past the base of the housing. Clearance for drive collar "L" is required.

