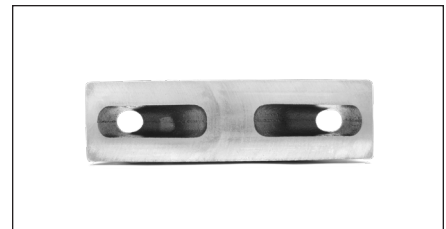
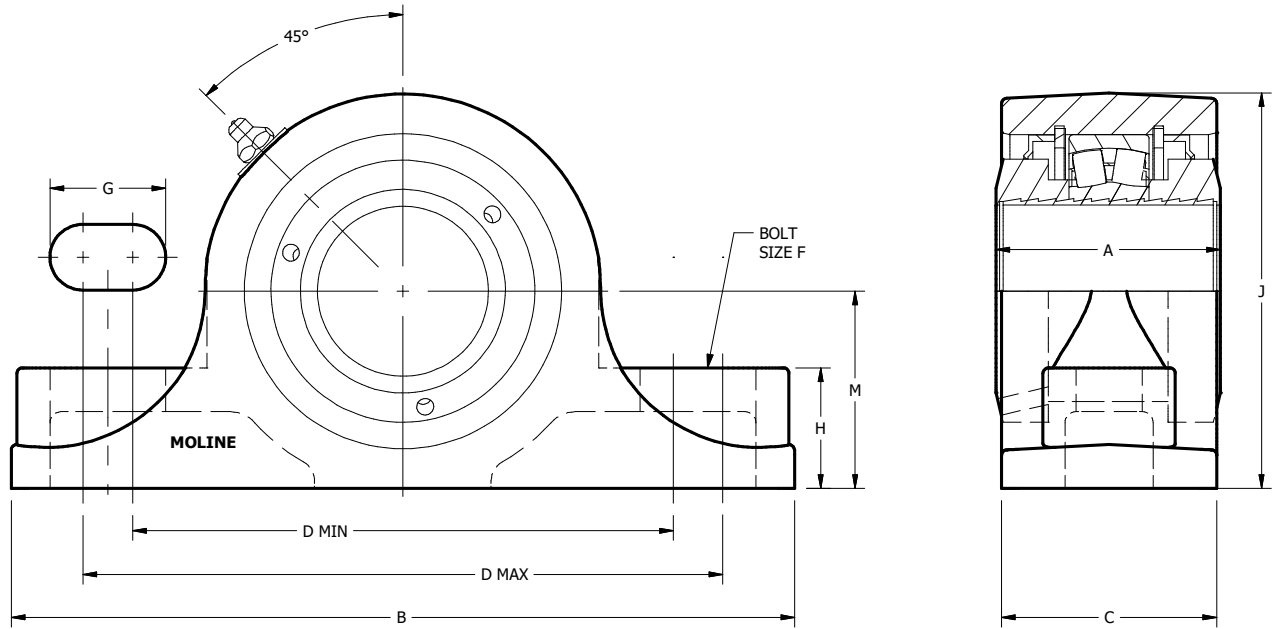


ME3000 EVEN-LOK™ 2-BOLT PILLOW BLOCK WITH TYPE E DIMENSIONS



ME3000 EVEN-LOK™ 2-BOLT PILLOW BLOCK WITH TYPE E DIMENSIONS

SHAFT SIZE	MOLINE PART #		DIMENSIONS (INCHES)											WT. LBS.
	EXP	NON-EXP	A	B	C	MIN D	CENTER TO CENTER D	MAX D	F	G	H	J	M	
1 7/16	29621107	29721107	2 9/16	7 3/8	2 1/8	5	5 1/2	6	1/2	1 1/8	1 1/8	3 7/8	1 7/8	6.9
1 1/2	29621108	29721108	2 9/16	7 7/8	2 3/8	5 5/8	6 1/16	6 1/2	1/2	1 1/16	1 1/4	4 1/4	2 1/8	9.0
1 15/16	29621111	29721111												
1 3/4	29621112	29721112	2 9/16	8 7/8	2 7/16	6 1/8	6 11/16	7 1/4	5/8	1 5/16	1 3/8	4 1/2	2 1/4	10.5
1 15/16	29621115	29721115												
2	29621200	29721200												
2 3/16	29621203	29721203	2 19/32	9 5/8	2 5/8	6 11/16	7 3/8	8	5/8	1 7/16	1 1/2	5	2 1/2	11.8
2 7/16	29621207	29721207	2 13/16	10 1/2	2 7/8	7 1/8	7 7/8	8 5/8	5/8	1 1/2	1 5/8	5 11/16	2 3/4	17.5
2 1/2	29621208	29721208												
2 11/16	29621211	29721211	2 13/16	12	3	7 7/8	8 13/16	9 3/4	3/4	1 13/16	1 7/8	6 5/16	3 1/8	24.0
2 3/4	29621212	29721212												
2 15/16	29621215	29721215												
3	29621300	29721300												
3 7/16	29621307	29721307	3 25/64	14	3 5/8	9 3/4	10 5/8	11 1/2	7/8	1 7/8	2 1/4	7 1/2	3 3/4	34.5
3 1/2	29621308	29721308												

Refer to Mounting and Dismounting Instructions on pages 137 and 138.

