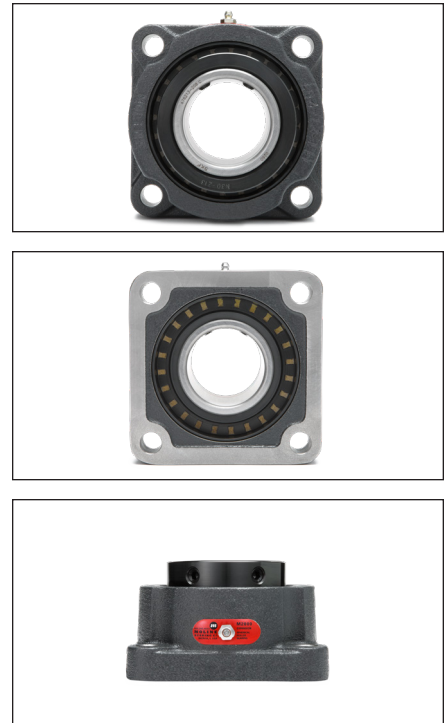
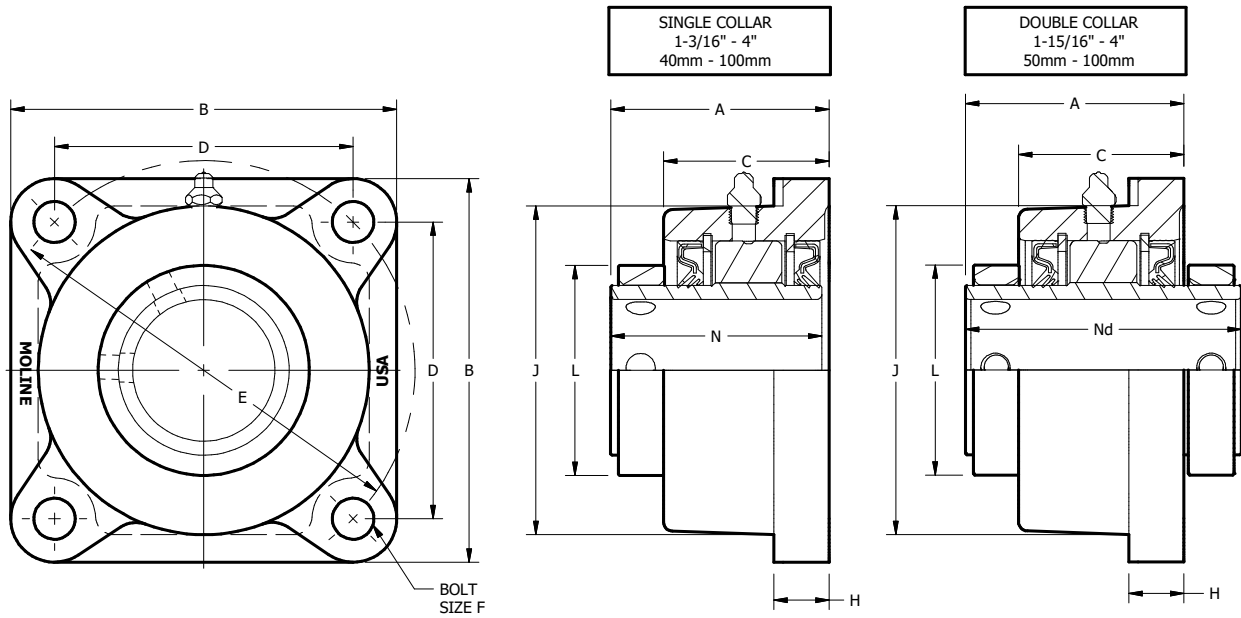


M2000 4-BOLT FLANGE, SINGLE AND DOUBLE COLLAR



M2000
SPHERICALS

For personal service 800.242.4633
CAD drawings at no additional charge
For nomenclature see pages 240 and 241

MOLINE BEARING CO.



M2000 4-BOLT FLANGE, SINGLE AND DOUBLE COLLAR

SHAFT SIZE	MOLINE PART #		DIMENSIONS (INCHES)											WT. LBS.
	EXP	NON-EXP	A	B	C	D	E	F	H	J	L	N SINGLE	Nd DOUBLE	
1 3/16	19111103	19211103												
1 1/4	19111104	19211104	2 15/16	4 5/8	2 1/4	3 17/32	5	1/2	3/4	3 7/8	2 1/2	2 3/4	----	7
1 7/16	19111107	19211107												
1 1/2	19111108	19211108												
1 11/16	19111111	19211111												
1 3/4	19111112	19211112	3 1/16	5	2 1/4	3 57/64	5 1/2	1/2	3/4	4 1/4	2 5/8	2 7/8	----	10
40mm	19111040	19211040												
45mm	19111045	19211045												
1 15/16	19111115	19211115												
2	19111200	19211200	3 1/32	5 1/4	2 1/4	4 1/16	5 3/4	1/2	3/4	4 1/2	2 7/8	2 7/8	3 3/4	10.5
50mm	19111050	19211050												
2 3/16	19111203	19211203												
2 1/4	19111204	19211204	3 9/32	5 7/8	2 7/16	4 1/2	6 3/8	5/8	3/4	5	3 1/4	3 1/8	4	12.5
55mm	19111055	19211055												
2 7/16	19111207	19211207												
2 1/2	19111208	19211208	3 9/16	6 1/8	2 3/4	4 25/32	6 3/4	5/8	1	5 3/4	4	3 3/8	4 5/16	16.5
60mm	19111060	19211060												
65mm	19111065	19211065												
2 11/16	19111211	19211211												
2 3/4	19111212	19211212	3 15/16	7 1/4	2 7/8	5 9/16	7 7/8	3/4	1	6 5/8	4 3/8	3 5/8	4 3/4	25
2 15/16	19111215	19211215												
3	19111300	19211300												
70mm	19111070	19211070												
75mm	19111075	19211075												
3 3/16	19111303	19211303												
3 7/16	19111307	19211307	4 11/32	8 3/8	3 1/4	6 23/32	9 1/2	3/4	1 1/8	7 5/8	5 1/8	4 1/32	5 3/16	35
3 1/2	19111308	19211308												
80mm	19111080	19211080												
85mm	19111085	19211085												
90mm	19111090	19211090												
3 11/16	19111311	19211311												
3 15/16	19111315	19211315	4 7/8	9 1/2	3 9/16	7 19/32	10 3/4	7/8	1 3/16	8 3/8	6	4 19/32	5 15/16	48
4	19111400	19211400												
100mm	19111100	19211100												

Starting at Sizes 1 15/16 add Suffix "D" to part number for Double Collar Spherical assembly.

Assembled with SKF™ Spherical Roller Bearings.

