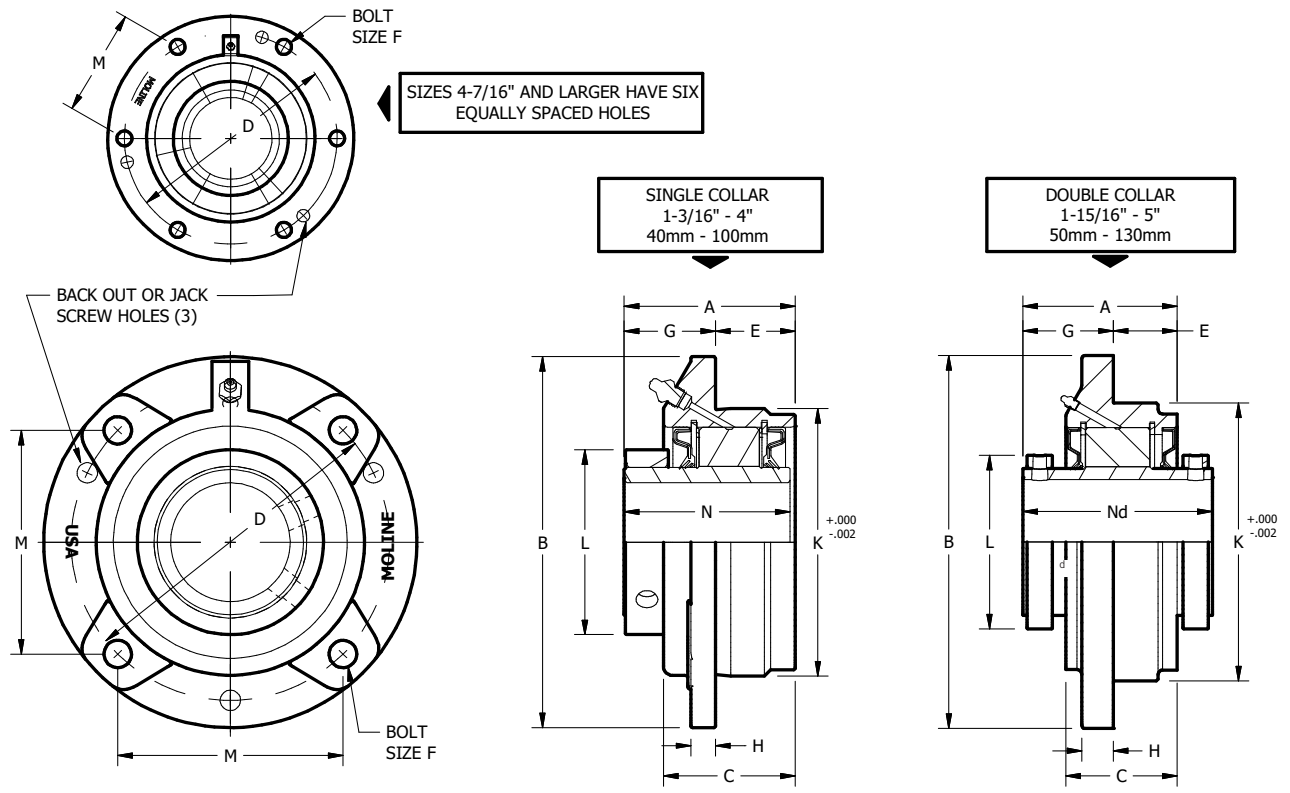


ME2000 PILOTED FLANGE CARTRIDGE, SINGLE AND DOUBLE COLLAR



ME-2000™
SPHERICALS

For personal service 800.242.4633
CAD drawings at no additional charge
For nomenclature see pages 240 and 241

MOLINE BEARING CO



ME2000 PILOTED FLANGE CARTRIDGE, SINGLE AND DOUBLE COLLAR

SHAFT SIZE	MOLINE PART #		DIMENSIONS (INCHES)													WT. LBS
	EXP	NON-EXP	A	B	C	D	E	F	G	H	K	L	M	N	Nd	
1 1/16 40mm	29131111 29131040	29231111 29231040	3	6 3/8	2 3/16	5 1/8	7/8	7/16	1 9/16	1/2	4 1/4	2 5/8	3 5/8	2 7/8	-----	8.5
1 15/16 2 50mm	29131115 29131200 29131050	29231115 29231200 29231050	3	6 3/8	2 3/16	5 3/8	7/8	7/16	1 1/2	1/2	4 1/2	2 7/8	3 5 1/64	2 7/8	3 3/4	10.5
2 3/16 55mm	29131203 29131055	29231203 29231055	3 1/4	7 1/8	2 7/16	6	1	1/2	1 25/32	1/2	5	3 1/4	4 1/4	3 1/8	4	14.5
2 7/16 2 1/2 60mm 65mm	29131207 29131208 29131060 29131065	29231207 29231208 29231060 29231065	3 1/2	7 5/8	2 1 1/16	6 1/2	1	1/2	1 7/8	5/8	5 1/2	4	4 19/32	3 3/8	4 5/16	16
2 1 1/16 2 3/4 2 15/16 3 70mm 75mm	29131211 29131212 29131215 29131300 29131070 29131075	29231211 29231212 29231215 29231300 29231070 29231075	3 13/16	8 3/4	2 13/16	7 1/2	1 1/4	5/8	2	3/4	6 3/8	4 3/8	5 19/64	3 5/8	4 3/4	22
3 3/16 3 7/16 3 1/2 80mm 85mm 90mm	29131303 29131307 29131308 29131080 29131085 29131090	29231303 29231307 29231308 29231080 29231085 29231090	4 1/4	10 1/4	3 1/4	8 5/8	1 1/4	3/4	2 1/2	1 5/16	7 3/8	5 1/8	6 3/32	4 1/32	4 3/16	33
3 1 1/16 3 15/16 4 100mm	29131311 29131315 29131400 29131100	29231311 29231315 29231400 29231100	4 3/4	10 7/8	3 9/16	9 3/8	1 1/2	3/4	2 5/8	1 1/16	8 1/8	6	6 5/8	4 19/32	4 15/16	45
4 7/16 4 1/2 110mm 115mm	29131407 29131408 29131110 29131115M	29231407 29231408 29231110 29231115M	5 5/32	13 1/2	4	11 3/4	1 1/2	3/4	3 3/16	1	10 1/4	6 1/8	5 7/8	-----	6 1/4	72
4 15/16 5 125mm 130mm	29131415 29131500 29131125 29131130	29231415 29231500 29231125 29231130	6 1/16	14 3/4	4 3/8	12 3/4	1 3/4	7/8	3 3/16	1 1/4	11	6 7/8	6 3/8	-----	7 7/16	99

Starting at Sizes 1-15/16 add Suffix "D" to part number for Double Collar Spherical assembly.

Assembled with Timken™ Spherical Roller Bearings.

ME-2000™
SPHERICALS

