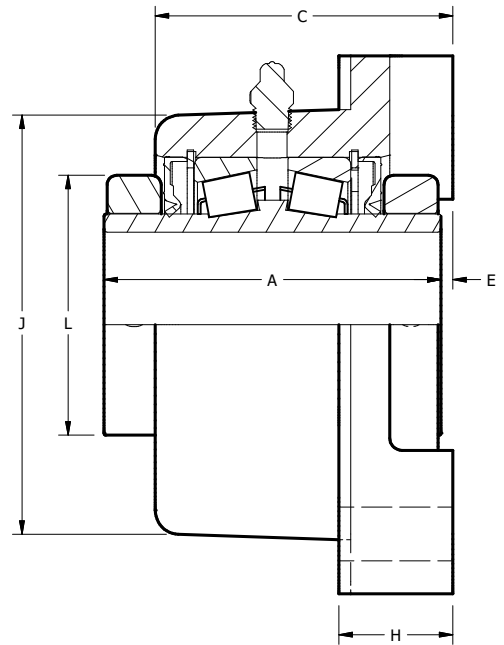
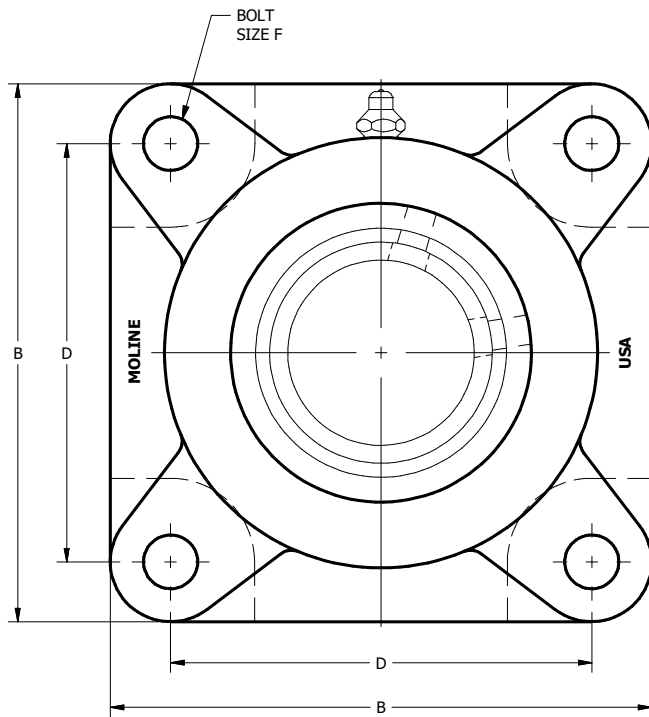


TYPE E 4-BOLT FLANGE



TYPE E



TYPE E 4-BOLT FLANGE

| SHAFT SIZE | MOLINE PART # | DIMENSIONS (INCHES) | | | | | | | | | WEIGHT LBS. |
|--|--|---------------------|-------|---------|-------|------|-----|--------|---------|-------|-------------|
| | | A | B | C | D | E | F | H | J | L | |
| 1 3/16 1 1/4 | 19311103 19311104 | 2 3/4 | 3 3/4 | 2 11/32 | 2 7/8 | 1/16 | 3/8 | 1 | 2 15/16 | 2 1/4 | 4.5 |
| 1 3/8 1 7/16 35mm | 19311106 19311107 19311035 | 3 | 4 5/8 | 2 19/32 | 3 1/2 | 1/16 | 1/2 | 1 1/16 | 3 7/8 | 2 3/4 | 6.7 |
| 1 1/2 1 5/8 1 11/16 40mm | 19311108 19311110 19311111 19311040 | 3 3/8 | 5 3/8 | 2 31/32 | 4 1/8 | 1/8 | 1/2 | 1 3/16 | 4 1/4 | 3 1/8 | 10 |
| 1 3/4 1 7/8 1 15/16 2 45mm 50mm | 19311112 19311114 19311115 19311200 19311045 19311050 | 3 1/2 | 5 5/8 | 3 3/32 | 4 3/8 | 1/8 | 1/2 | 1 3/16 | 4 1/2 | 3 3/8 | 12 |
| 2 3/16 55mm | 19311203 19311055 | 3 3/4 | 6 1/4 | 3 9/32 | 4 7/8 | 1/8 | 5/8 | 1 3/8 | 4 7/8 | 3 3/4 | 16 |
| 2 1/4 2 7/16 2 1/2 60mm 65mm | 19311204 19311207 19311208 19311060 19311065 | 4 | 6 7/8 | 3 9/16 | 5 3/8 | 3/16 | 5/8 | 1 1/2 | 5 3/4 | 4 | 21 |

TYPE E



TYPE E 4-BOLT FLANGE CONTINUED

| SHAFT SIZE | MOLINE PART # | DIMENSIONS (INCHES) | | | | | | | | | WEIGHT LBS. |
|------------|---------------|---------------------|--------|---------|-------|--------|-----|--------|--------|---------|-------------|
| | | A | B | C | D | E | F | H | J | L | |
| 2 1/16 | 19311211 | 4 1/2 | 7 3/4 | 3 15/16 | 6 | 3/16 | 3/4 | 1 5/8 | 6 1/2 | 4 11/16 | 28 |
| 2 3/4 | 19311212 | | | | | | | | | | |
| 2 15/16 | 19311215 | | | | | | | | | | |
| 3 | 19311300 | | | | | | | | | | |
| 70mm | 19311070 | | | | | | | | | | |
| 75mm | 19311075 | | | | | | | | | | |
| 3 3/16 | 19311303 | 5 | 9 1/4 | 4 1/2 | 7 | 1/4 | 3/4 | 1 7/8 | 7 5/8 | 5 5/16 | 51 |
| 3 1/4 | 19311304 | | | | | | | | | | |
| 3 7/16 | 19311307 | | | | | | | | | | |
| 3 1/2 | 19311308 | | | | | | | | | | |
| 80mm | 19311080 | | | | | | | | | | |
| 85mm | 19311085 | | | | | | | | | | |
| 90mm | 19311090 | | | | | | | | | | |
| 3 15/16 | 19311315 | 6 1/4 | 10 1/4 | 5 5/8 | 7 3/4 | 1/4 | 7/8 | 2 1/8 | 8 7/16 | 5 3/4 | 74 |
| 4 | 19311400 | | | | | | | | | | |
| 100mm | 19311100M | | | | | | | | | | |
| 4 7/16 | 19311407 | 6 3/4 | 10 7/8 | 5 15/16 | 8 3/4 | 1 1/32 | 7/8 | 2 7/16 | 9 1/8 | 6 1/4 | 96 |
| 4 1/2 | 19311408 | | | | | | | | | | |
| 110mm | 19311110M | | | | | | | | | | |
| 115mm | 19311115M | | | | | | | | | | |

TYPE E

