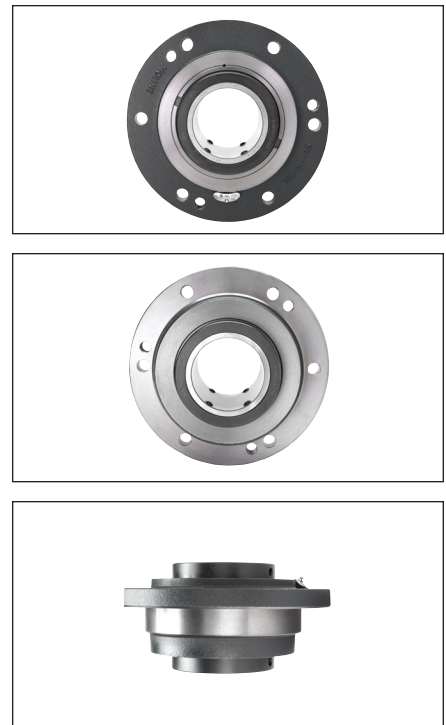
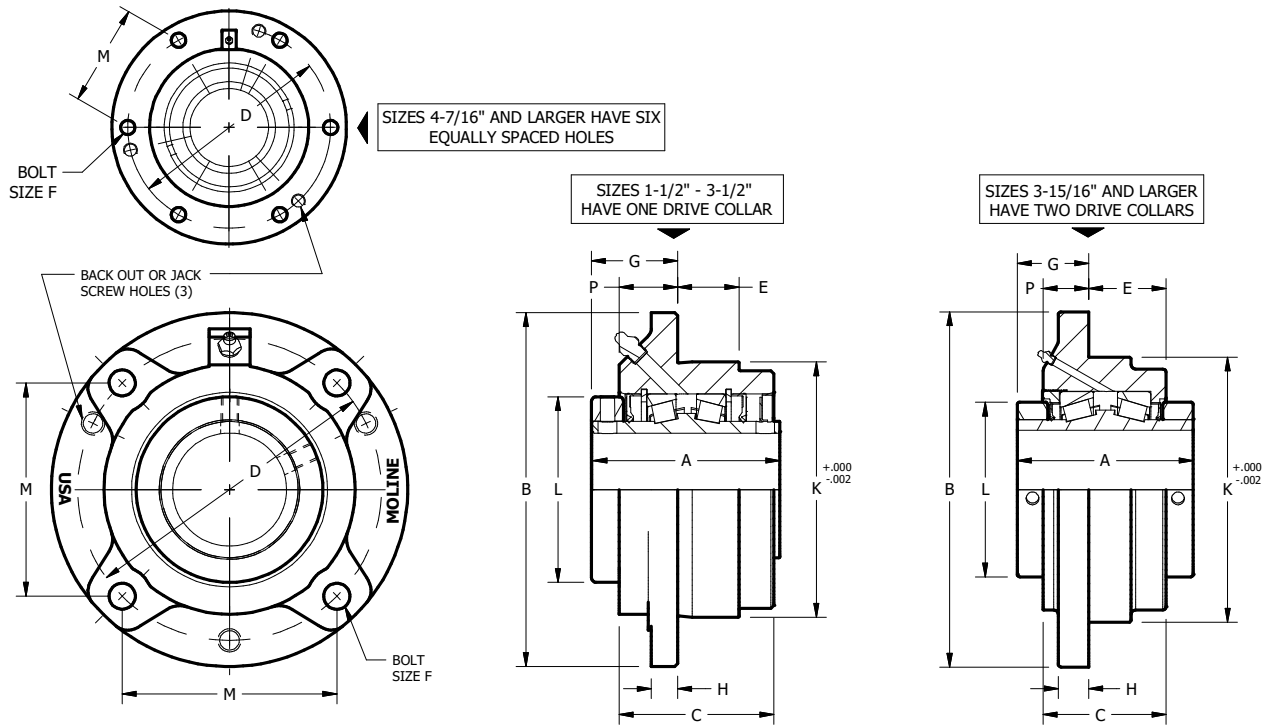


TYPE E PILOTED FLANGE



TYPE E



TYPE E PILOTED FLANGE

TYPE E

| SHAFT SIZE | MOLINE PART # | DIMENSIONS (INCHES) | | | | | | | | | | | | WEIGHT LBS. |
|--|--|---------------------|--------|---------|--------|--------|------|---------|-------|--------|---------|------|---------|-------------|
| | | A | B | C | D | E | F | G | H | K | L | M | P | |
| 1 1/2 1 5/8 1 11/16 40mm | 19331108 19331110 19331111 19331040 | 3 3/8 | 6 1/8 | 2 13/16 | 5 1/8 | 1 3/8 | 7/16 | 1 9/16 | 7/16 | 4 1/4 | 3 1/8 | 3.62 | 1 1/16 | 9.2 |
| 1 3/4 1 7/8 1 15/16 2 45mm 50mm | 19331112 19331114 19331115 19331200 19331045 19331050 | 3 1/2 | 6 3/8 | 2 29/32 | 5 3/8 | 1 3/16 | 7/16 | 1 9/16 | 9/16 | 4 1/2 | 3 3/8 | 3.80 | 1 1/32 | 10.3 |
| 2 3/16 55mm | 19331203 19331055 | 3 3/4 | 7 1/8 | 3 3/32 | 6 | 1 3/16 | 1/2 | 1 11/16 | 9/16 | 5 | 3 3/4 | 4.24 | 1 3/32 | 12 |
| 2 1/4 2 7/16 2 1/2 60mm 65mm | 19331204 19331207 19331208 19331060 19331065 | 4 | 7 5/8 | 3 5/16 | 6 1/2 | 1 5/16 | 1/2 | 1 13/16 | 5/8 | 5 1/2 | 4 | 4.60 | 1 1/4 | 16 |
| 2 11/16 2 3/4 2 15/16 3 70mm 75mm | 19331211 19331212 19331215 19331300 19331070 19331075 | 4 1/2 | 8 3/4 | 3 11/16 | 7 1/2 | 1 1/2 | 5/8 | 2 | 3/4 | 6 3/8 | 4 11/16 | 5.30 | 1 1/4 | 28 |
| 3 3/16 3 1/4 3 7/16 3 1/2 80mm 85mm 90mm | 19331303 19331304 19331307 19331308 19331080 19331085 19331090 | 5 | 10 1/4 | 4 3/16 | 8 5/8 | 1 1/4 | 3/4 | 2 7/16 | 7/8 | 7 3/8 | 5 5/16 | 6.10 | 1 21/32 | 43 |
| 3 15/16 4 100mm | 19331315 19331400 19331100 | 6 1/4 | 10 7/8 | 4 1/2 | 9 3/8 | 1 1/2 | 3/4 | 2 11/16 | 15/16 | 8 1/8 | 5 3/4 | 6.63 | 1 7/8 | 57 |
| 4 7/16 4 1/2 110mm 115mm | 19331407 19331408 19331110M 19331115M | 6 3/4 | 13 1/2 | 4 5/8 | 11 3/4 | 1 1/2 | 3/4 | 3 1/32 | 1 | 10 1/4 | 6 1/4 | 5.09 | 2 | 93 |
| 4 15/16 5 125mm | 19331415 19331500 19331125 | 7 1/4 | 14 3/4 | 5 1/16 | 12 3/4 | 1 3/4 | 7/8 | 2 31/32 | 1 1/4 | 11 | 7 1/4 | 5.52 | 1 7/8 | 122 |

