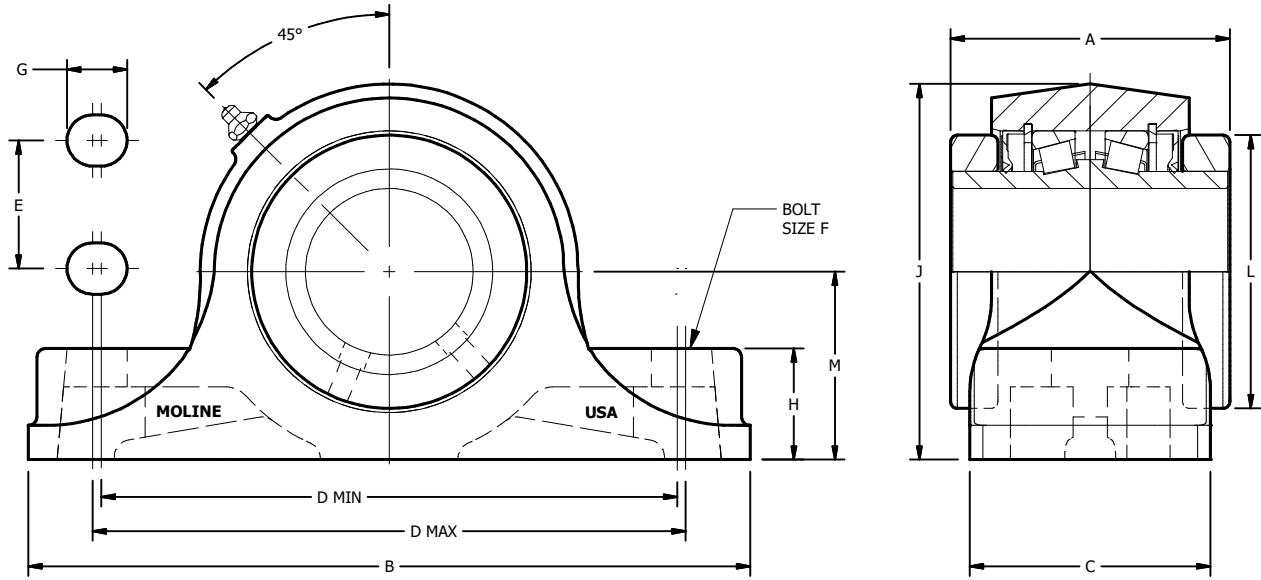


TYPE E 4-BOLT PILLOW BLOCK



TYPE E



For personal service 800.242.4633
 CAD drawings at no additional charge
 For nomenclature see pages 240 and 241

MOLINE BEARING CO



TYPE E 4-BOLT PILLOW BLOCK

TYPE E

| SHAFT SIZE | MOLINE PART # | DIMENSIONS (INCHES) | | | | | | | | | | | | | WEIGHT LBS. |
|------------|---------------|---------------------|--------|-------|---------|--------------------|---------|-------|-----|--------|--------|-------|---------|-------|-------------|
| | | A | B | C | MIN D | CENTER TO CENTER D | MAX D | E | F | G* | H | J | L | M | |
| 2 1/4 | 19341204 | 4 | 10 1/2 | 3 1/2 | 8 5/16 | 8 1/2 | 8 11/16 | 1 7/8 | 5/8 | 7/8 | 1 5/8 | 5 1/2 | 4 | 2 3/4 | 19 |
| 2 7/16 | 19341207 | | | | | | | | | | | | | | |
| 2 1/2 | 19341208 | | | | | | | | | | | | | | |
| 60mm | 19341060 | | | | | | | | | | | | | | |
| 65mm | 19341065 | | | | | | | | | | | | | | |
| 2 11/16 | 19341211 | 4 1/2 | 12 | 4 | 9 3/16 | 9 1/2 | 9 13/16 | 2 1/8 | 5/8 | 7/8 | 1 7/8 | 6 1/4 | 4 11/16 | 3 1/8 | 26 |
| 2 3/4 | 19341212 | | | | | | | | | | | | | | |
| 2 15/16 | 19341215 | | | | | | | | | | | | | | |
| 3 | 19341300 | | | | | | | | | | | | | | |
| 70mm | 19341070 | | | | | | | | | | | | | | |
| 75mm | 19341075 | | | | | | | | | | | | | | |
| 3 3/16 | 19341303 | 5 | 14 | 4 1/2 | 10 3/4 | 11 | 11 1/4 | 2 3/8 | 3/4 | 1 3/16 | 2 1/4 | 7 1/2 | 5 5/16 | 3 3/4 | 44 |
| 3 1/4 | 19341304 | | | | | | | | | | | | | | |
| 3 7/16 | 19341307 | | | | | | | | | | | | | | |
| 3 1/2 | 19341308 | | | | | | | | | | | | | | |
| 80mm | 19341080 | | | | | | | | | | | | | | |
| 85mm | 19341085 | | | | | | | | | | | | | | |
| 90mm | 19341090 | | | | | | | | | | | | | | |
| 3 15/16 | 19341315 | 6 1/4 | 15 1/4 | 4 1/2 | 10 7/16 | 11 11/16 | 12 7/8 | 2 1/4 | 3/4 | 1 1/8 | 2 7/16 | 8 1/2 | 5 3/4 | 4 1/4 | 65 |
| 4 | 19341400 | | | | | | | | | | | | | | |
| 100mm | 19341100 | | | | | | | | | | | | | | |

*Note: The elongated slots give broader mounting capabilities.



TYPE E 4-BOLT PILLOW BLOCK CONTINUED

TYPE E

| SHAFT SIZE | MOLINE PART # | DIMENSIONS (INCHES) | | | | | | | | | | | | | WEIGHT LBS. |
|------------|---------------|---------------------|--------|-------|--------|--------------------|--------|-------|-----|--------|--------|---------|--------|---------|-------------|
| | | A | B | C | MIN D | CENTER TO CENTER D | MAX D | E | F | G* | H | J | L | M | |
| 4 7/16 | 19341407 | 6 3/4 | 16 5/8 | 4 5/8 | 13 1/4 | 13 1/2 | 13 3/4 | 2 1/2 | 3/4 | 1 3/16 | 2 3/4 | 9 3/8 | 6 1/4 | 4 3/4 | 81 |
| 4 1/2 | 19341408 | | | | | | | | | | | | | | |
| 110mm | 19341110 | | | | | | | | | | | | | | |
| 115mm | 19341115 | | | | | | | | | | | | | | |
| 4 15/16 | 19341415 | 7 1/4 | 18 1/2 | 5 1/8 | 15 | 15 1/2 | 16 | 2 3/4 | 7/8 | 1 1/4 | 3 | 10 7/8 | 7 1/4 | 5 1/2 | 132 |
| 5 | 19341500 | | | | | | | | | | | | | | |
| 125mm | 19341125 | | | | | | | | | | | | | | |
| 5 7/16 | 19341507 | 9 | 22 | 6 1/4 | 17 3/8 | 18 1/4 | 19 1/8 | 3 3/4 | 1 | 2 | 3 1/4 | 13 3/16 | 9 3/8 | 6 11/16 | 243 |
| 5 1/2 | 19341508 | | | | | | | | | | | | | | |
| 5 15/16 | 19341515 | | | | | | | | | | | | | | |
| 6 | 19341600 | | | | | | | | | | | | | | |
| 130mm | 19341130 | | | | | | | | | | | | | | |
| 135mm | 19341135 | | | | | | | | | | | | | | |
| 140mm | 19341140 | | | | | | | | | | | | | | |
| 150mm | 19341150 | | | | | | | | | | | | | | |
| 6 7/16 | 19341607 | 10 1/2 | 26 | 7 1/8 | 21 1/4 | 22 1/4 | 23 1/4 | 4 5/8 | 1 | 2 1/8 | 3 1/16 | 15 | 10 1/2 | 7 1/2 | 356 |
| 6 1/2 | 19341608 | | | | | | | | | | | | | | 350 |
| 6 15/16 | 19341615 | | | | | | | | | | | | | | 340 |
| 7 | 19341700 | | | | | | | | | | | | | | 335 |
| 160mm | 19341160 | | | | | | | | | | | | | | 340 |
| 170mm | 19341170 | | | | | | | | | | | | | | 340 |
| 180mm | 19341180 | | | | | | | | | | | | | | 335 |

*Note: The elongated slots give broader mounting capabilities.

