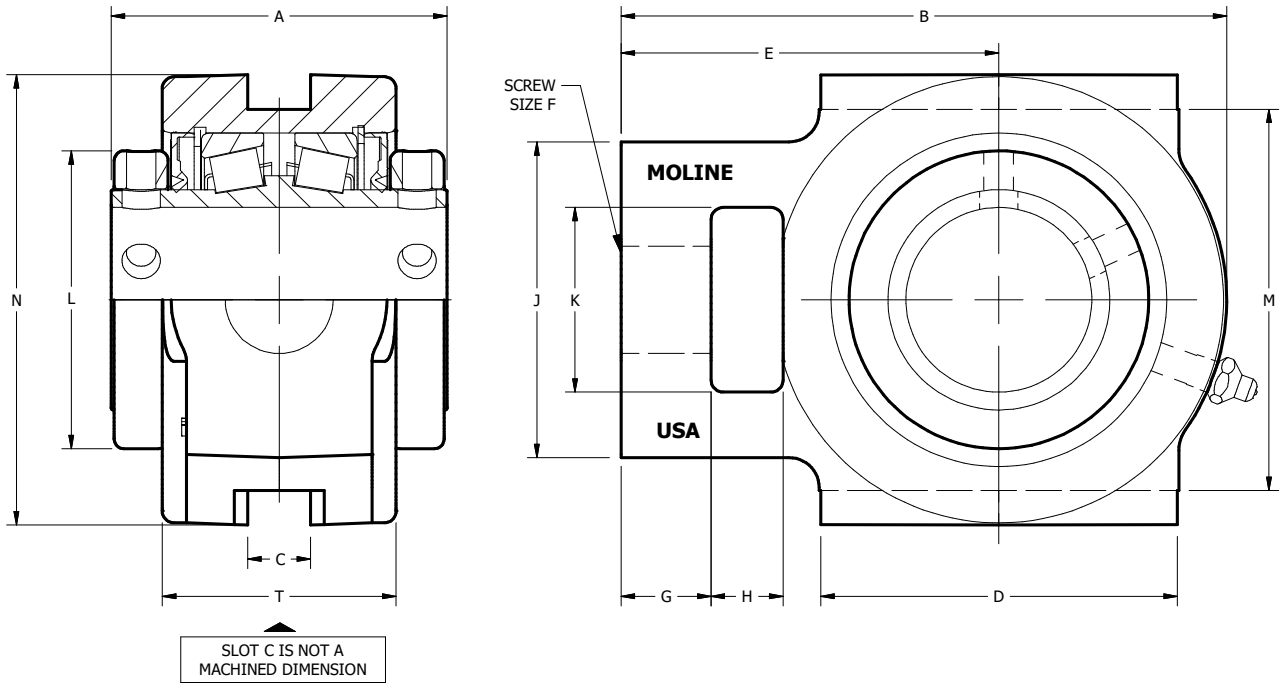
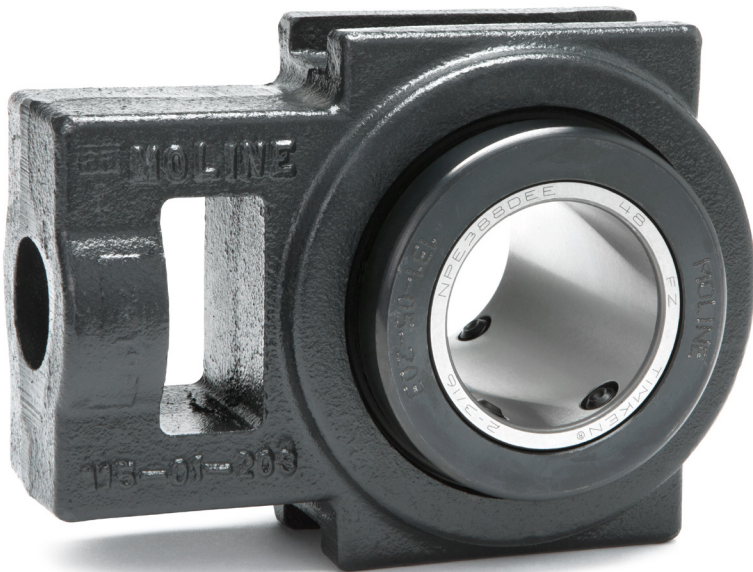


# TYPE E WIDE SLOT TAKE-UP



TYPE E



For personal service 800.242.4633  
 CAD drawings at no additional charge  
 For nomenclature see pages 240 and 241

**MOLINE BEARING CO.**



# TYPE E WIDE SLOT TAKE-UP

TYPE E

SHAFT SIZE	MOLINE PART #	DIMENSIONS (INCHES)														WEIGHT LBS.	
		A	B	C	D	E	F	G	H	J	K	L	M	N	T		
1 3/4	19351112																
1 7/8	19351114																
1 15/16	19351115	3 1/2	6 5/16	1 1/16	3 3/4	3 15/16	1	1 5/16	3/4	3 5/16	1 15/16	3 3/8	4	4 3/4	2 7/16		12
2	19351200																
45mm	19351045																
50mm	19351050																
2 3/16	19351203	3 3/4	7 1/8	1 3/16	3 3/4	4 5/8	1 1/8	1	1	3 7/8	2 1/4	3 3/4	4 1/2	5 1/4	2 9/16		16
55mm	19351055																
2 1/4	19351204																
2 7/16	19351207																
2 1/2	19351208	4	7 13/16	1 1/32	4 1/2	5 1/16	1 1/2	1 1/16	1 1/4	4 1/4	2 1/2	4	5 1/8	6	2 3/4		21
60mm	19351060																
65mm	19351065																
2 11/16	19351211																
2 3/4	19351212																
2 15/16	19351215	4 1/2	9 1/8	1 25/32	4 3/4	5 7/8	1 1/2	1 3/8	1 1/4	4 7/8	2 3/4	4 11/16	5 15/16	6 3/4	3		30
3	19351300																
70mm	19351070																
75mm	19351075																
3 3/16	19351303																
3 1/4	19351304																
3 7/16	19351307																
3 1/2	19351308	5	10 1/4	1 25/32	6	6 3/8	1 3/4	1 1/16	1 5/8	4 7/8	2 7/8	5 5/16	6 13/16	7 13/16	3 5/8		45
80mm	19351080																
85mm	19351085																
90mm	19351090																

