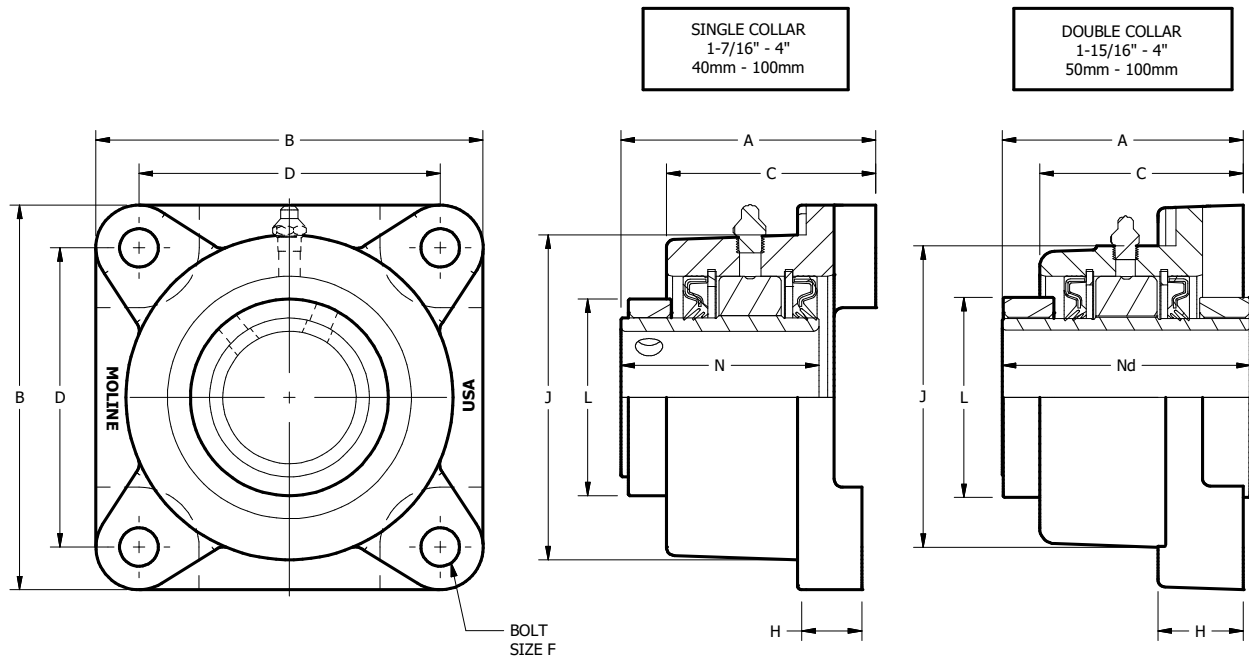


ME2000 4-BOLT FLANGE, SINGLE AND DOUBLE COLLAR



ME-2000™
SPHERICALS

For personal service 800.242.4633
CAD drawings at no additional charge
For nomenclature see pages 240 and 241

MOLINE BEARING CO.



ME2000 4-BOLT FLANGE, SINGLE AND DOUBLE COLLAR

SHAFT SIZE	MOLINE PART #		DIMENSIONS (INCHES)										WEIGHT LBS.
	EXP	NON-EXP	A	B	C	D	F	H	J	L	N	Nd	
1 7/16	29111107	29211107	3 1/4	4 5/8	2 19/32	3 1/2	1/2	1 1/16	3 7/8	2 1/2	2 3/4	-----	7.2
1 1/2	29111108	29211108	3 1/2							2 1/2	2 3/4	-----	12.0
1 11/16	29111111	29211111											
40mm	29111040	29211040	3 9/16	5 3/8	2 31/32	4 1/8	1/2	1 3/16	4 1/4	2 5/8	2 7/8	-----	11.3
1 3/4	29111112	29111112											12.6
45mm	29111045	29111045											
1 15/16	29111115	29211115	3 3/4	5 5/8	3 3/32	4 3/8	1/2	1 3/16	4 1/2	2 7/8	2 7/8	3 3/4	11.9
2	29111200	29211200											
50mm	29111050	29211050											
2 3/16	29111203	29211203	3 7/8	6 1/4	3 9/32	4 7/8	5/8	1 3/8	4 7/8	3 1/4	3 1/8	4	14.6
55mm	29111055	29211055											
2 1/4	29111204	29211204	4 1/8								3 1/8	4	
2 7/16	29111207	29211207											
2 1/2	29111208	29211208											
60mm	29111060	29211060	4 5/16	6 7/8	3 9/16	5 3/8	5/8	1 1/2	5 3/4	4	3 3/8	4 5/16	23.5
65mm	29111065	29211065											
2 11/16	29111211	29211211											
2 3/4	29111212	29211212											
2 15/16	29111215	29211215											
3	29111300	29211300	4 3/4	7 3/4	3 15/16	6	3/4	1 5/8	6 1/2	4 3/8	3 5/8	4 3/4	31.5
70mm	29111070	29211070											
75mm	29111075	29211075											
3 3/16	29111303	29211303											
3 7/16	29111307	29211307											
3 1/2	29111308	29211308											
80mm	29111080	29211080	5 5/16	9 1/4	4 1/2	7	3/4	1 7/8	7 5/8	5 1/8	4 1/32	5 3/16	51.5
85mm	29111085	29211085											
90mm	29111090	29211090											
3 11/16	29111311	29211311											
3 15/16	29111315	29211315											
4	29111400	29211400	6 9/16	10 1/4	5 5/8	7 3/4	7/8	2 1/8	8 7/16	6	4 19/32	5 15/16	64.8
100mm	29111100	29211100											

Starting at Sizes 1 15/16 add Suffix "D" to part number for Double Collar Spherical assembly.

Assembled with Timken™ Spherical Roller Bearings.

