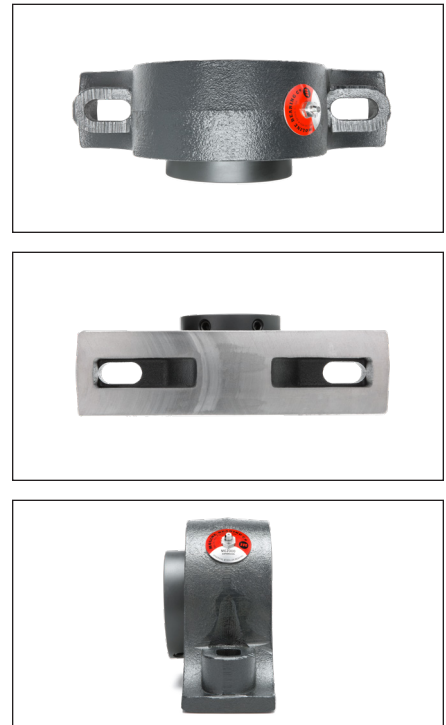
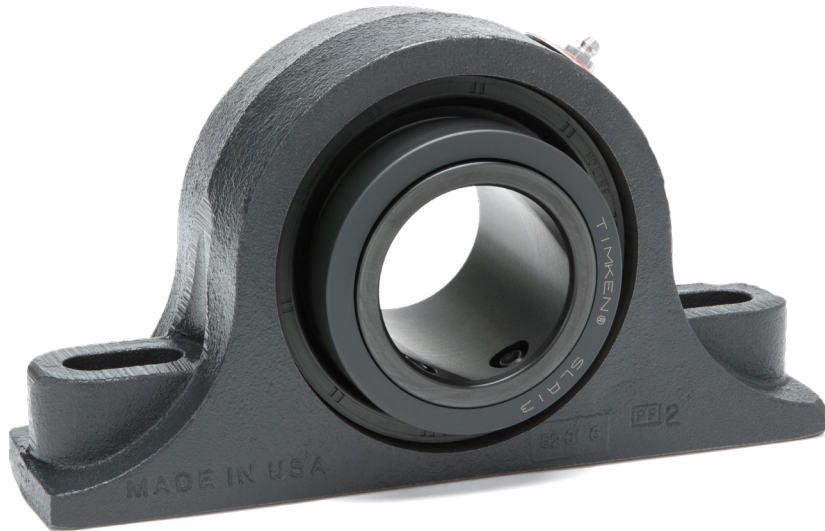
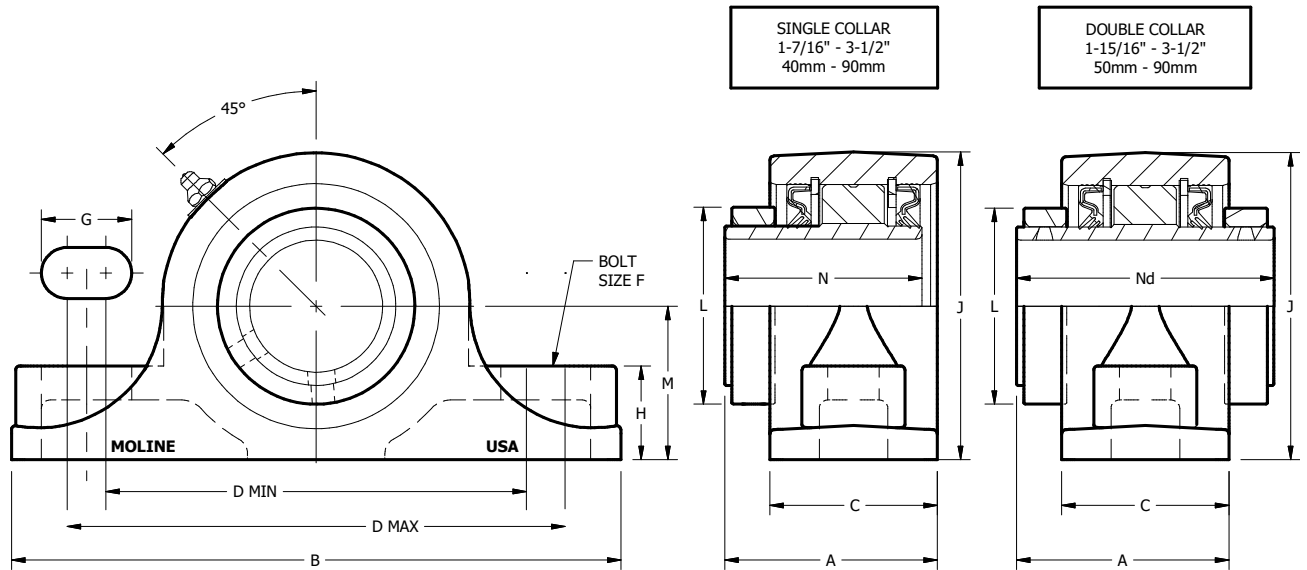


ME2000 2-BOLT PILLOW BLOCK, SINGLE AND DOUBLE COLLAR



ME-2000™
SPHERICALS

For personal service 800.242.4633
CAD drawings at no additional charge
For nomenclature see pages 240 and 241

MOLINE BEARING CO



ME2000 2-BOLT PILLOW BLOCK, SINGLE AND DOUBLE COLLAR

SHAFT SIZE	MOLINE PART #		DIMENSIONS (INCHES)														WEIGHT LBS.
	EXP	NON-EXP	A	B	C	MIN D	CENTER TO CENTER D	MAX D	F	G	H	J	L	M	N	Nd	
1 7/16	29121107	29221107	2 13/16	7 3/8	2 1/8	5	5 1/2	6	1/2	1 1/8	1 1/8	3 7/8	2 1/2	1 7/8	2 3/4	----	6.9
1 1/2	29121108	29221108	2 15/16										2 1/2		2 3/4	----	9.1
1 11/16	29121111	29221111	3 1/16	7 7/8	2 3/8	5 5/8	6 1/16	6 1/2	1/2	1 1/16	1 1/4	4 1/4	2 5/8	2 1/8	2 7/8	----	8.8
40mm	29121040	29221040															
1 3/4	29121112	29221112											2 5/8			----	11.0
45mm	29121045	29221045											2 7/8	2 1/4	2 7/8	3 3/4	10.2
1 15/16	29121115	29221115	3 1/8	8 7/8	2 7/16	6 1/8	6 11/16	7 1/4	5/8	1 5/16	1 3/8	4 1/2	2 7/8	2 1/4	2 7/8	3 3/4	10.2
2	29121200	29221200															
50mm	29121050	29221050															
2 3/16	29121203	29221203	3 5/16	9 5/8	2 5/8	6 11/16	7 3/8	8	5/8	1 7/16	1 1/2	5	3 1/4	2 1/2	3 1/8	4	11.8
55mm	29121055	29221055															
2 1/4	29121204	29221204	3 7/16										3 1/4		3 1/8		
2 7/16	29121207	29221207															
2 1/2	29121208	29221208	3 9/16	10 1/2	2 7/8	7 1/8	7 7/8	8 5/8	5/8	1 1/2	1 5/8	5 11/16	4	2 3/4	3 3/8	4 5/16	17.5
60mm	29121060	29221060															
65mm	29121065	29221065															
2 11/16	29121211	29221211															
2 3/4	29121212	29221212															
2 15/16	29121215	29221215	3 7/8	12	3	7 7/8	8 13/16	9 3/4	3/4	1 13/16	1 7/8	6 5/16	4 3/8	3 1/8	3 5/8	4 3/4	23.9
3	29121300	29221300															
70mm	29121070	29221070															
75mm	29121075	29221075															
3 3/16	29121303	29221303															
3 7/16	29121307	29221307															
3 1/2	29121308	29221308	4 7/16	14	3 5/8	9 3/4	10 5/8	11 1/2	7/8	1 7/8	2 1/4	7 1/2	5 1/8	3 3/4	4 1/32	5 3/16	34.5
80mm	29121080	29221080															
85mm	29121085	29221085															
90mm	29121090	29221090															

Starting at Sizes 1 15/16 add Suffix "D" to part number for Double Collar Spherical assembly.
Assembled with Timken™ Spherical Roller Bearings.

ME-2000™
SPHERICALS

