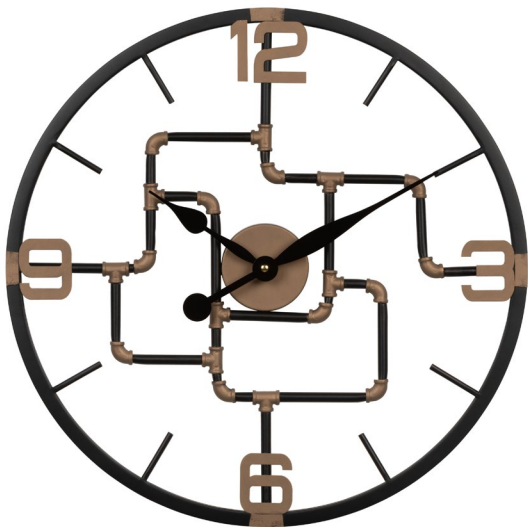


LA CROSSE
CLOCK CO.

20-Inch Pipeworks Metal Wall Clock



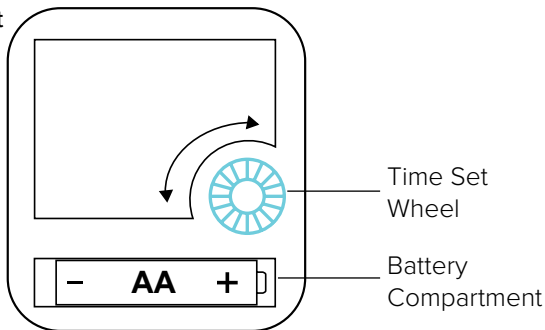
Model: 404-3420

Power Up

1. Insert 1 fresh AA alkaline battery (not included), according to polarity, into the Movement.
2. Rotate the Time Set Wheel to set the time.
3. Place on a wall and enjoy!

Learn more from our video: bit.ly/wallclock_setup

Movement



Note: The quartz movement will keep your clock running accurately. Replace the battery if the clock does not operate or steadily loses time.

Mounting

Use the metal sawtooth hanger on the back of the clock to hang on the wall.

Specifications

- **Time Digit Height:** 2.36 in (6.0 cm)
- **Quartz Movement:** Step Motion
- **Lens Type:** None
- **Construction:** Metal
- **Placement:** Indoor
- **Mounting Type:** Wall Mount
- **Numerals:** Arabic (3, 6, 9, 12)
- **Power Requirements:** 1 “AA” Alkaline Battery (Not Included)
- **Battery Life:** 12+ Months
- **Clock Face Dimension:** 18 in (45.7 cm) Diameter
- **Dimensions:** 20 in (50.cm) Diameter 1.77 in (4.5 cm) Depth

Care and Maintenance

When batteries of different brand or type are used together, or new and old batteries are used together, some batteries may be over-discharged due to a difference of voltage or capacity. This can result in venting, leakage, and rupture and may cause personal injury.

- Always purchase the correct size and grade of battery most suitable for the intended use.
- Do Not Mix Old and New Batteries.
- Do Not Mix Alkaline, Standard, or Rechargeable Batteries.
- Clean the battery contacts and also those of the device prior to battery installation.
- Ensure the battery is installed correctly with regard to polarity (+ and -).
- Remove the battery from product during periods of non-use.
Battery leakage can cause corrosion and damage to this product.
- Remove a used battery promptly.
- For recycling and disposal of the battery, and to protect the environment, please check the internet or your local phone directory for local recycling centers and/or follow local government regulations.

WARRANTY & SUPPORT

This product is warranted to be free from defects in material and workmanship under normal use and service for a period of two years. Per the Song-Beverly Act, in the state of California, the warranty on this item becomes effective on the date of delivery. The warranty will not apply to defects resulting from abuse, accidents, or misuse. If a defect that is covered by this warranty arises during the warranty period, promptly return the clock (postage prepaid) with proof of purchase showing the date the clock was purchased to the following address and such defects will be repaired, or the products will be replaced at La Crosse Clock Company option without charge.

La Crosse Clock Company
Warranty Department
2830 South 26th Street.
La Crosse, WI 54601

Contact Us for Online Support:

bit.ly/contact_techsupport

Patents:

www.lacrossetechnology.com/pages/patents

Scan for Support



LET'S BE SOCIAL!

Ask questions, watch setup videos, and provide feedback on our social media outlets. Follow La Crosse Technology on YouTube, Facebook, and Instagram.



⚠️ WARNING: This product can expose you to chemicals including acrylonitrile, 1, 3-butadiene, and styrene, which are known to the State of California to cause cancer and birth defects or other reproductive harm. For more information go to: www.P65Warnings.ca.gov