

LA CROSSE®  
TECHNOLOGY

# DIGITAL LED WALL CLOCK



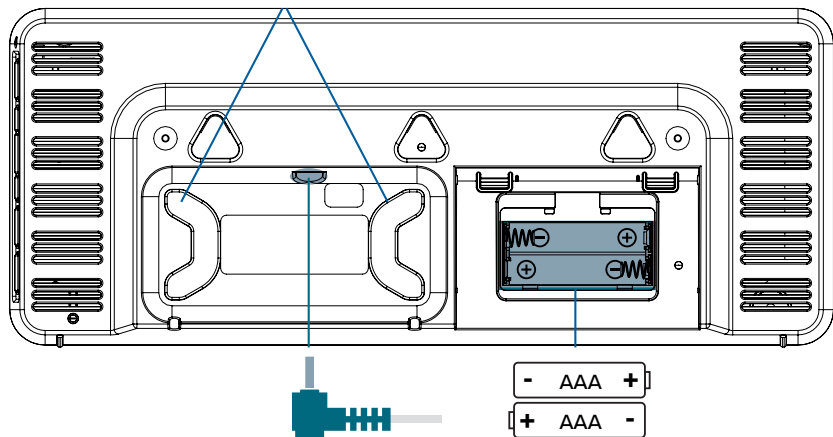
SETUP GUIDE

MODEL: 513-1411R

## Initial Setup

1. Insert the power cord into a USB-A port (Brick not included). Extra cord may be secured with the cord management on the back of the clock.  
**Optional:** Insert 2-AAA batteries for backup.
2. Use the instructions on page 3 to adjust your settings.

### Cord Management



## Settings Menu

1. Hold the **SET/MODE** button until the numbers begin flashing.  
Release the button.
2. Press and release the **+** or **-** button to adjust the flashing values.  
Hold to adjust values quickly.
3. Press and release the **SET/MODE** button to confirm adjustments and move to the next setting.

**Note:** Press and release the **Zz** button at any time to save your settings and exit the menu.

## Settings order:

- Hour
- Minutes
- Year
- Month
- Date
- Fahrenheit/Celsius

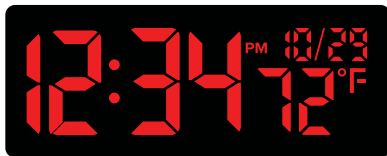
### Buttons on side of clock



**AM/PM Time:** When adjusting the Hour, advance the time to the next 12. The AM/PM icon switches accordingly.

## Custom Display

Press and release the **SET/MODE** button to toggle between Indoor Temperature and Seconds display.



Indoor Temperature



Seconds Counting

## Time Alarm

### Set Alarm:

1. Hold the **ALARM** button until your alarm hour begins flashing.
2. Use the + or - button to adjust the hour. Press and release the **ALARM** button to confirm and move to the alarm minutes.
3. Use the + or - button to adjust the minutes. Press the **ALARM** button one last time to confirm and exit.



### Silence a Sounding Alarm:

Press and release any button except the **Zz** button to silence the alarm for 24 hours.

**Snooze:** When the alarm sounds, press the **Zz** button to silence the alarm for 10 minutes (this can be repeated). The Snooze Icon **Zz** will flash while snoozing.

**Note:** The alarm will sound with increasing frequency for 2 minutes, then shut off automatically if not silenced.



## Activate/Deactivate Alarm:

- The alarm will activate automatically after being set.
- Press and release the **ALARM** button to deactivate or activate the alarm; “OFF” or “ON” will show briefly.
- The Alarm Icon 🔔 will show when the alarm is active.



## Display Brightness

Press and release the **LIGHT** button to toggle through the 4 brightness levels and OFF options, indicated with the letter “L” and associated number.

When set to OFF, the display will be fully dark. Press and release any button to return to level 4 brightness.



## Battery Backup

Insert 2-AAA alkaline batteries to back up your time and alarm in the event of power loss. During power loss events, the display will remain dark; however, the time will be kept, and the alarm will sound if previously activated.

**Note:** This clock requires the use of a power cord for full operation.

## Low Battery Indicator

When the Low Battery Indicator 🔋 appears, replace the clock’s batteries soon to avoid losing backup operations.

## Specifications

**Time Digit Height:** 3.00 in (7.62cm)

**Temperature Range:**

32°F to 99°F (0°C to 37°C)

**Alarm Beeping Sound:** Up to 90dBs

**Alarm Duration:** 2 Minutes

**Snooze Duration:** 10 minutes

**Power Requirement:**

5V USB-A Cord (Brick Not Included)

**Cord Length:** 72.00 in (182.88cm)

**Battery Backup:** 2 "AAA" (LR3, IEC)

Batteries (Not Included)

The plug on the power adapter is intended serve as the disconnect device, the socket-outlet shall be installed near the equipment and shall be easily accessible.

**Battery Life:**

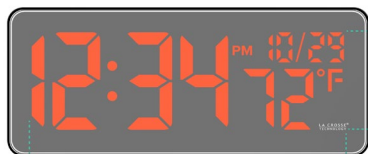
3+ years with Power Cord Use.

**Dimensions:**

11.00-in L x 1.35-in W x 4.51-in H

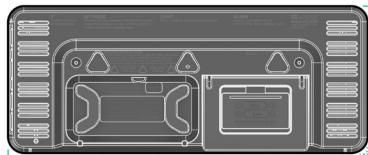
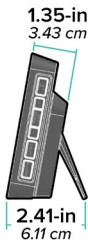
(27.90 cm L x 3.43 cm W x 11.50 cm H)

## DIMENSIONS



9.70-in  
24.64 cm

3.00-in  
7.70 cm



11.00-in  
27.90 cm

4.51-in  
11.50 cm

Length  
72-in  
182.88 cm



## Care & Maintenance

When batteries of different brand or type are used together, or new and old batteries are used together, some batteries may be over-discharged due to a difference of voltage or capacity. This can result in venting, leakage, and rupture and may cause personal injury.

- Do Not Mix Old and New Batteries.
- Do Not Mix Alkaline, Standard, or Rechargeable Batteries.
- Always purchase the correct size and grade of battery most suitable for the intended use.
- Clean the battery contacts and also those of the device prior to battery installation.
- Ensure the batteries are installed correctly with regard to polarity (+ and -).
- Remove batteries from product during periods of non-use. Battery leakage can cause corrosion and damage to this product.
- Remove used batteries promptly.
- For recycling and disposal of batteries, and to protect the environment, please check the internet or your local phone directory for local recycling centers and/or follow local government regulations.

## We're Here to Help

If you require additional assistance, get in touch with our friendly customer support team based in La Crosse, WI.

**Self Help:** [bit.ly/513-1411r\\_support](https://bit.ly/513-1411r_support)

**Online:** [bit.ly/contact\\_techsupport](https://bit.ly/contact_techsupport)

**Phone:** 1.608.782.1610

Our knowledgeable customer support team is available:  
Mon-Fri 8am-6pm CST

## Stay in Touch!

Ask questions, watch set up videos, and provide feedback on our social media outlets. Follow La Crosse Technology on Youtube, Facebook, and Instagram.



## Warranty & Patents

La Crosse Technology Ltd. provides a 1-year limited-time warranty on this product relating to manufacturing defects in materials & workmanship. Per the Song-Beverly Act, in the state of California, the warranty on this item becomes effective on the date of delivery.

La Crosse Technology, Ltd, 2830 S. 26th St., La Crosse, WI 54601

For Full Warranty Details, Visit: [www.lacrossetechnology.com/pages/warranty](http://www.lacrossetechnology.com/pages/warranty)

Patents: [www.lacrossetechnology.com/pages/patents](http://www.lacrossetechnology.com/pages/patents)

**⚠ WARNING:** This product can expose you to chemicals including acrylonitrile, 1, 3-butadiene, and styrene, which are known to the State of California to cause cancer and birth defects or other reproductive harm.

For more information go to: [www.P65Warnings.ca.gov](http://www.P65Warnings.ca.gov)

SCAN HERE  
Additional Info  
and Support



## FCC Statement

This equipment has been tested and found to comply with the limits for a Class B digital device, pursuant to part 15 of the FCC Rules. These limits are designed to provide reasonable protection against harmful interference in a residential installation.

This equipment generates, uses and can radiate radio frequency energy and, if not installed and used in accordance with the instructions, may cause harmful interference to radio communications. However, there is no guarantee that interference will not occur in a particular installation. If this equipment does cause harmful interference to radio or television reception, which can be determined by turning the equipment off and on, the user is encouraged to try to correct the interference by one or more of the following measures:

- Reorient or relocate the receiving antenna.
- Increase the separation between the equipment and receiver.
- Connect the equipment into an outlet on a circuit different from that to which the receiver is connected.
- Consult the dealer or an experienced radio/TV technician for help.

This device complies with Part 15 of the FCC Rules. Operation is subject to the following two conditions:

- (1) This device may not cause harmful interference, and
- (2) This device must accept any interference received, including interference that may cause undesired operation.

### Caution!

Any changes or modifications not expressly approved by the party responsible for compliance could void the user's authority to operate the equipment.

**All rights reserved.** This manual may not be reproduced in any form, even in part, or duplicated or processed using electronic, mechanical or chemical process without the written permission of the publisher. This booklet may contain errors or misprints. The information it contains is regularly checked and corrections are included in subsequent editions. We disclaim any responsibility for any technical error or printing error, or their consequences.

All trademarks and patents are recognized. The manufacturer is not responsible for any radio or TV interference caused by unauthorized changes or modifications to this equipment. Such changes or modifications could void the user authority to operate the equipment.

## Double Your Warranty!

Scan the QR Code or visit: [bit.ly/513-1411r\\_register](https://bit.ly/513-1411r_register)  
to register your product and double the standard  
1-year warranty for free by opting to receive  
occasional product emails.

Scan Here

