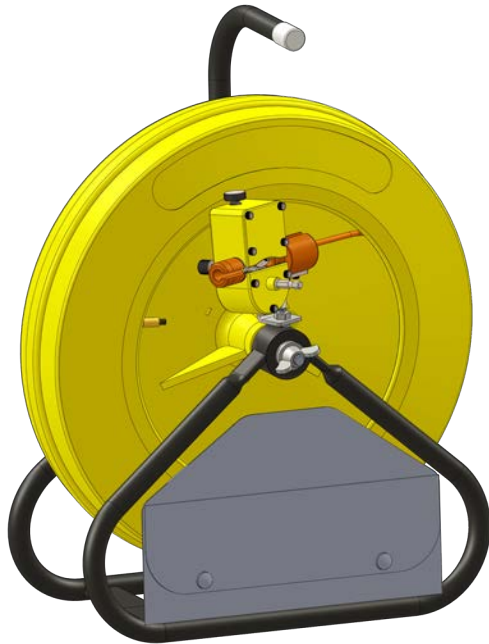


## FIBER DRIVER LITTLE BUDDY ADAPTOR



Part Number	Description
18-FFLBA	Fiber Driver Little Buddy Adaptor



Scan to  
Learn More

**MADE IN  
USA**

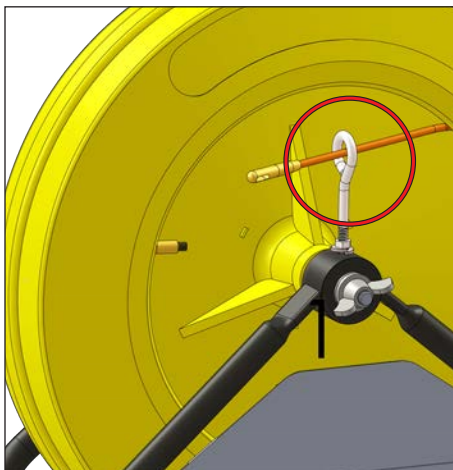


### **WARNING**

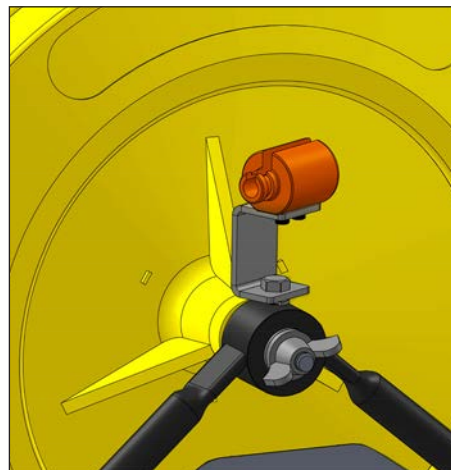
- **DO NOT USE ON LIVE CIRCUITS. DISCONNECT POWER.** Metal tip on rod.
- Wear safety glasses and gloves.
- Keep rod inside reel when not in use. Out-of-control rod can harm personnel or property.
- Keep rod clean. Some contaminants (including water) can conduct electricity.
- Keep secure footing. Protect yourself from falling should pulling eye move suddenly or separate from rod.
- Check for rod damage prior to use. Cracks, gouges, nicks, or white stress marks on jacket or sharp bends will weaken rod. Injury could result if rod breaks while pulling.
- Do not use slip joint pliers, locking pliers or powered pulling equipment on rod.
- Do not force a pull that is stuck. Check for kinks or obstructions.
- Avoid pulling rod over sharp edges.
- Do not bend rod beyond 9" radius.

**Do not use on live circuits. Electric shock may result. The Duct Hunter is equipped with a metal tip and continuous internal copper wire.**

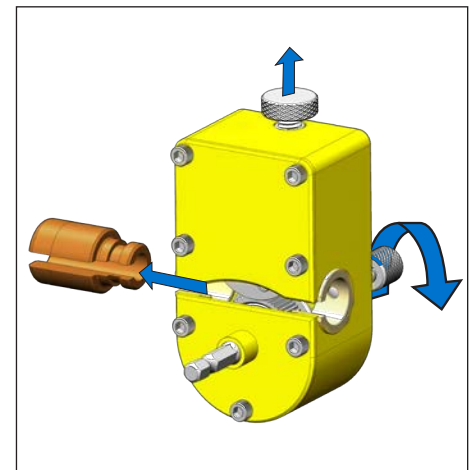
### INSTRUCTIONS



**STEP 1** Remove the existing eyebolt

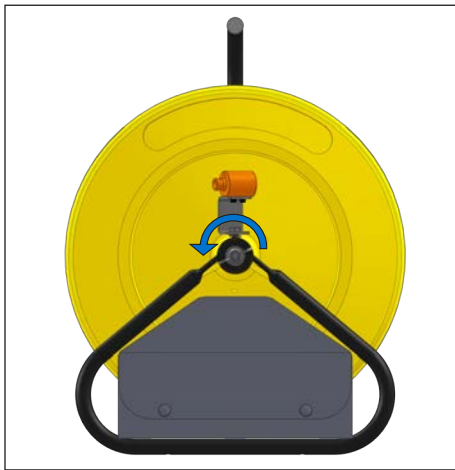


**STEP 2** Install the rodder assembly onto the Little Buddy in the hole left by the eyebolt, using the existing lock-washer and the provided screw.

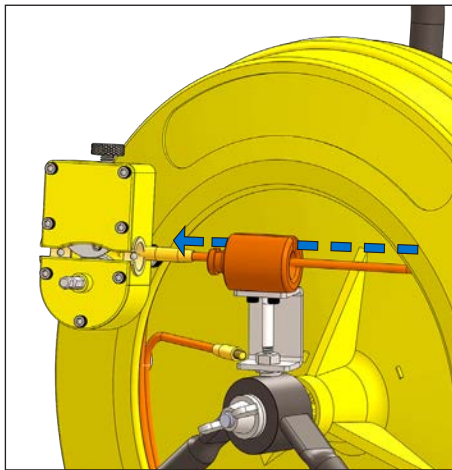


**STEP 3** Remove the Short Adaptor from the Fiber Driver. Loosen the rear-right thumbscrew on the Fiber Driver. Raise the Idle Wheel all the way up using the Tension Adjustment Screw.

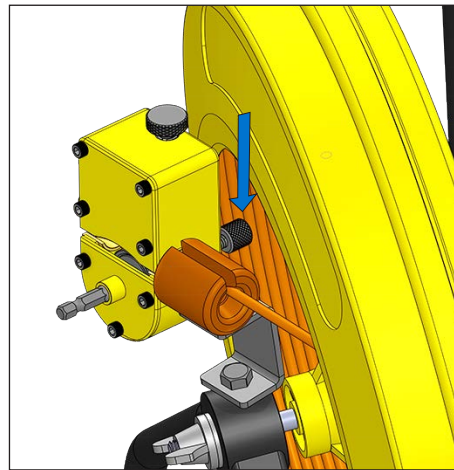
## INSTRUCTIONS (CONT.)



**STEP 4** Loosen the brake wingnut slightly to allow for a little bit of rotation.



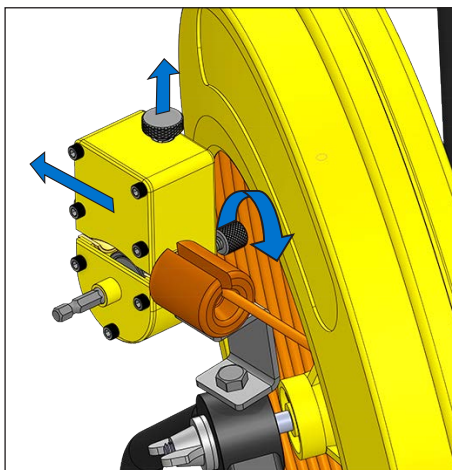
**STEP 5** Feed the rodder through the adaptor and the Fiber Driver.  
*Note: Be careful to not let go of the rodder, as it could snap and cause injury.*



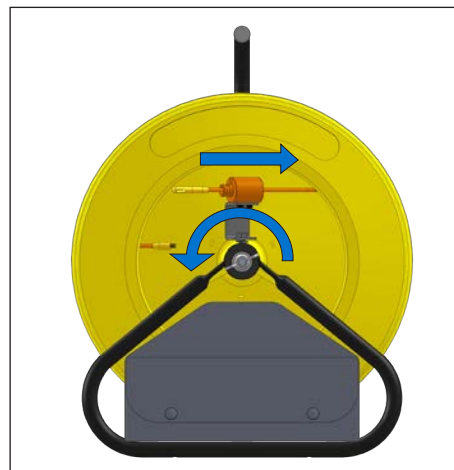
**STEP 6** Install the Fiber Driver onto the adaptor. Re-tighten the thumbscrew.



**STEP 7** Re-installing the Short Adaptor onto the Fiber Driver is optional. If choosing to reinstall, make sure the thumbscrew is tight.



**STEP 8** To remove the Fiber Driver, raise the Idle Wheel all the way up using the Tension Adjustment Screw and loosen the rear thumbscrew. Then slide the Fiber Driver out of the adaptor.



**STEP 9** Pull the rodder back through the adaptor and tuck back into the canister. Again, loosening the brake wingnut to allow a small amount of rotation may be helpful.  
*Note: Be careful to not let go of the rodder, as it could snap and cause injury.*

### RECOMMENDED USE

To feed the rodder/fish tape into conduit, it is recommended that the Fiber Driver is separated from the Little Buddy adaptor, and brought closer to the insertion point.

To wind the rodder/fish tape back into the canister it is recommended that the Fiber Driver is installed back onto the Little Buddy adaptor.

### FOR TRANSPORT

Separate the Fiber Driver from the Little Buddy and store it in its carrying case.

Tuck the Rodder/Fish Tape back into the canister and tighten the brake nut