

CAROMA

GLASS-TO-GLASS SHOWER HINGE

SHOWER HARDWARE

INSTALLATION INSTRUCTIONS

Important information

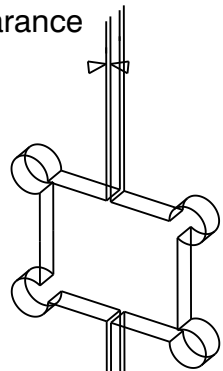
- * This product must be installed by a licensed tradesperson
- * This is a general guide. Installation must follow local standards
- * Suitable for 8-12mm glass.
- An additional plastic packer has been provided for panels less than 12mm.
- * 35kg max load per hinge.

Care instructions

- Clean surfaces with mild detergent or soap and water
- Avoid using abrasive cleaning pads, cream or citrus-based cleaners
- Damage from improper cleaning & handling is not covered by warranty

Step 1

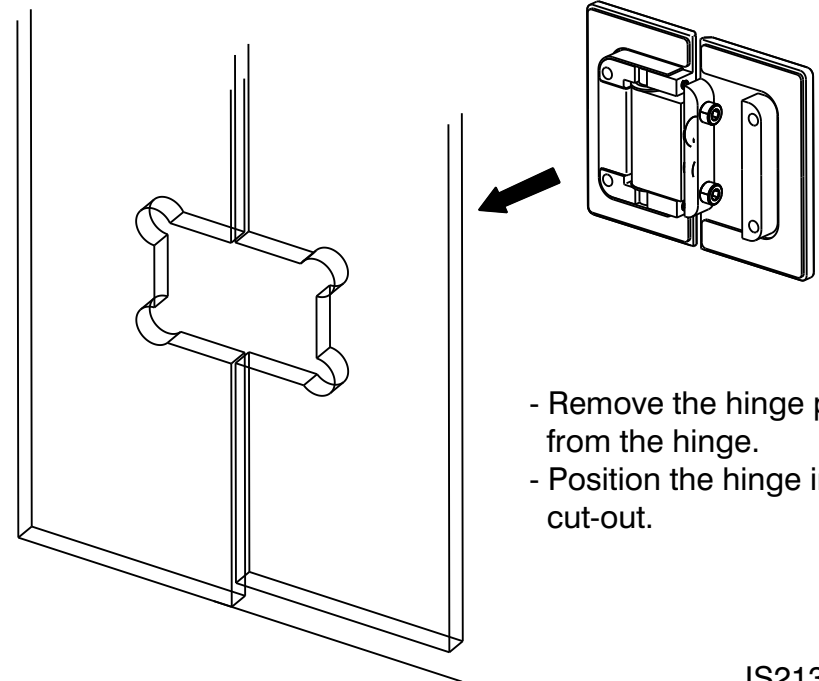
clearance



- Make the required cut-outs on the glass panel and glass door using the provided template.
- Install the glass, ensuring sufficient clearance beneath the door for the shower door drip rail.
- Maintain a nominal clearance gap between the glass door and the fixed glass panel

clearance

Step 2



- Remove the hinge plate from the hinge.
- Position the hinge in the glass cut-out.

Step 3

- Fit the hinge plate and packers using the fixings provided.
- Tighten the grub screws with an Allen key.
- This will clamp the glass securely in place.

