

CAROMA

GLASS-TO-WALL SHOWER HINGE

SHOWER HARDWARE

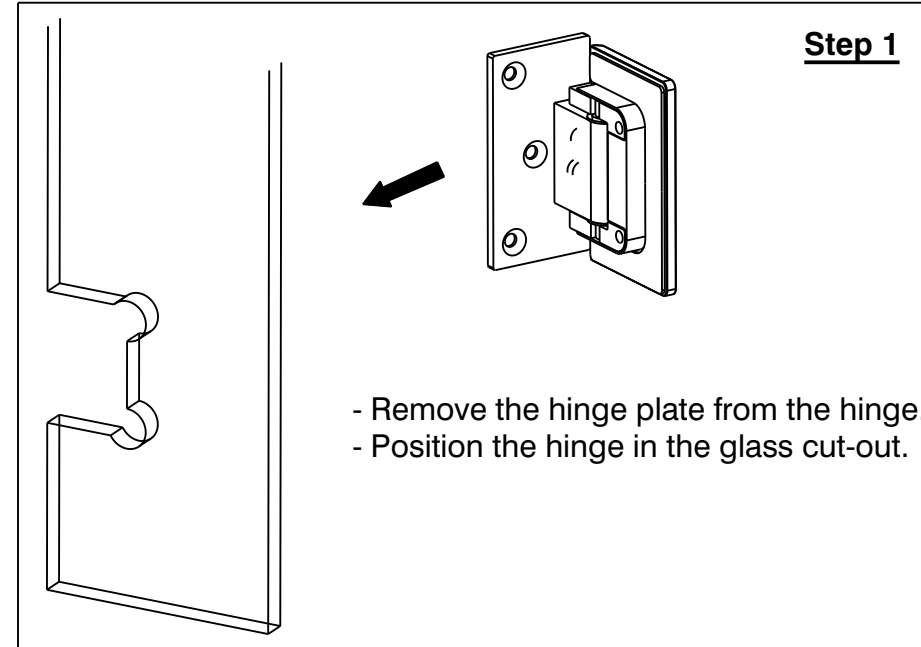
INSTALLATION INSTRUCTIONS

Important information

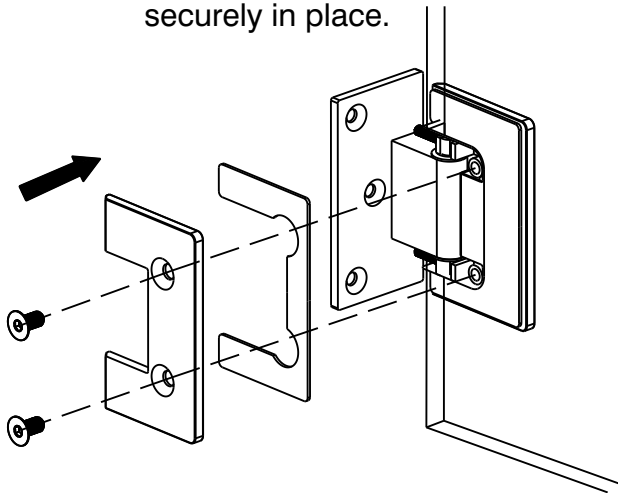
- * This product must be installed by a licensed tradesperson
- * This is a general guide. Installation must follow local standards
- * Suitable for 8-12mm glass.
An additional plastic packer has been provided for panels less than 12mm.
- * 35kg max load per hinge.

Care instructions

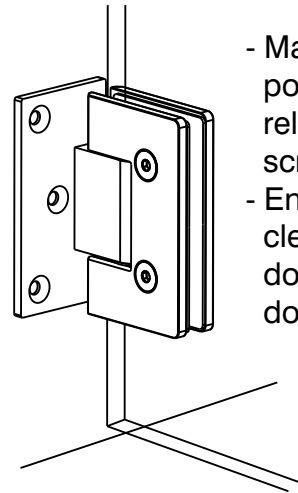
- Clean surfaces with mild detergent or soap and water
- Avoid using abrasive cleaning pads, cream or citrus-based cleaners
- Damage from improper cleaning & handling is not covered by warranty



- Step 2**
- Fit the hinge plate and packers using the fixings provided.
 - Tighten the grub screws with an Allen key. This will clamp the glass securely in place.

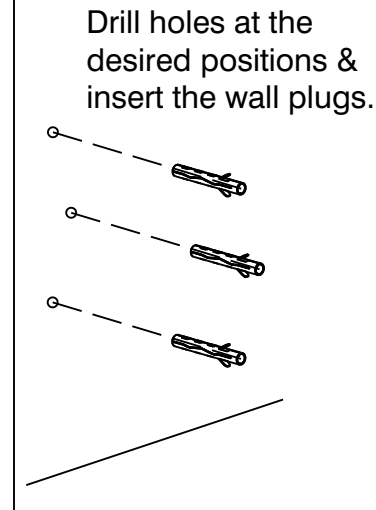


Step 3



- Mark the desired hinge positions on the wall in relation to the shower screen location.
- Ensure sufficient clearance beneath the door for the shower door drip rail.

Step 4



Step 5

- Fix the hinge and glass to the wall using the provided fixings.

