

INSTALLATION INSTRUCTIONS

Important information

- * This product must be installed by a licensed tradesperson
- * This is a general guide. Installation must follow local standards
- * Suitable for 8-12mm glass.

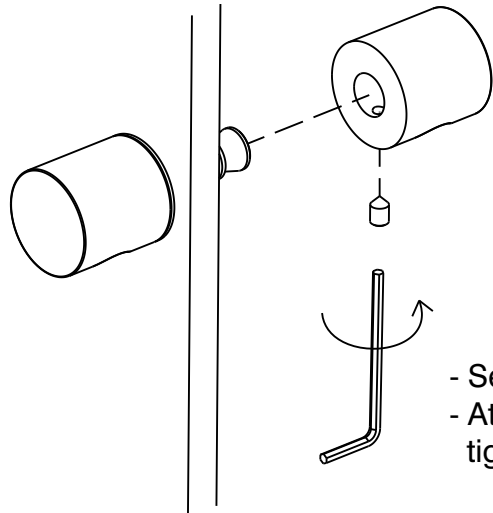
Care instructions

- Clean surfaces with mild detergent or soap and water
- Avoid using abrasive cleaning pads, cream or citrus-based cleaners
- Damage from improper cleaning & handling is not covered by warranty

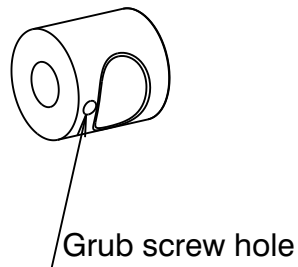
Note:

Round handle is shown; the same installation steps apply for the lever handle

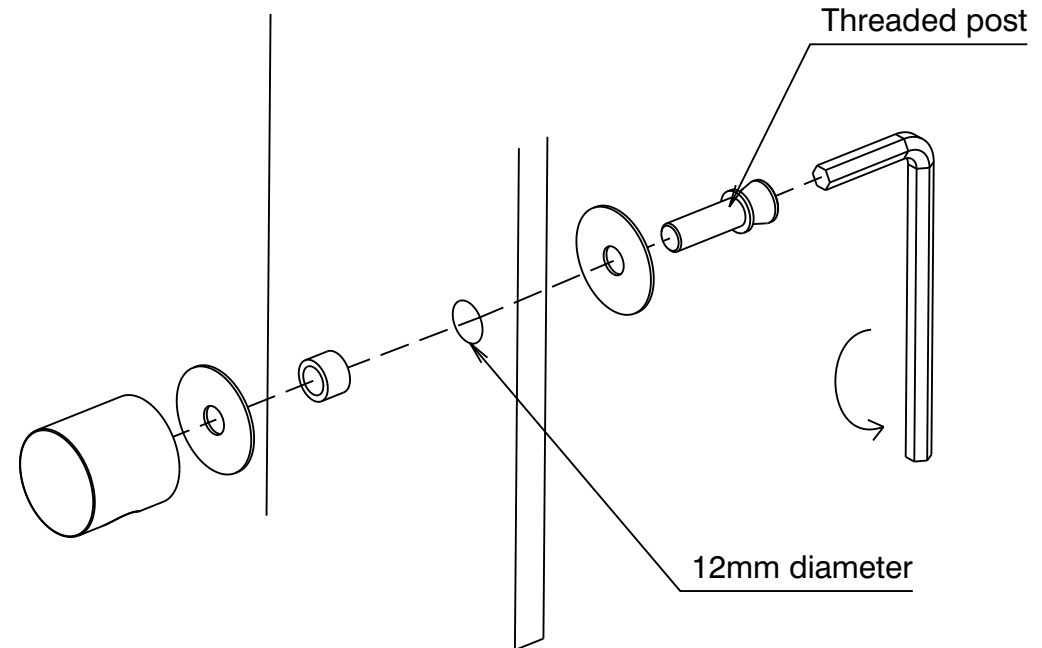
Step 2



- Select the door handle with the grub screw hole.
- Attach it to the threaded post and secure by tightening the grub screw with the glass in between (do not overtighten)



Step 1



- Select the desired position for the door handle.
- Ensure the hole diameter is 12mm.
- Except the handle with grub screw hole, fit the rest as shown with the glass in between.
- Tight the threaded post with allen key (do not overtighten)