

CAROMA

U-BRACKET SHOWER HARDWARE

INSTALLATION INSTRUCTIONS

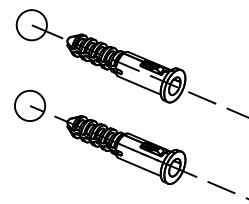
Important information

- * This product must be installed by a licensed tradesperson.
- * This is a general guide. Installation must follow local standards.
- * Suitable for 8-12mm glass.
If glass is less than 12mm-plastic packers or silicone are required.

Care instructions

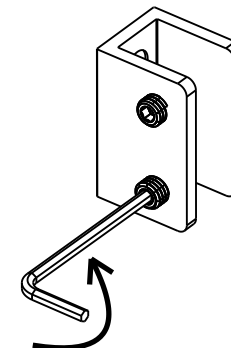
- Clean surfaces with mild detergent or soap and water
- Avoid using abrasive cleaning pads, cream or citrus-based cleaners
- Damage from improper cleaning & handling is not covered by warranty

Step 1



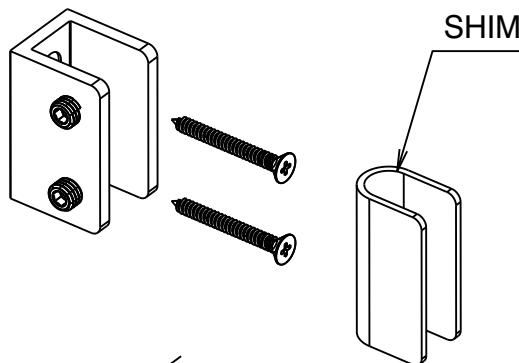
Mark the clip positions in alignment with the shower screen.
Drill holes at the marked points and fit the wall plugs.

Step 2



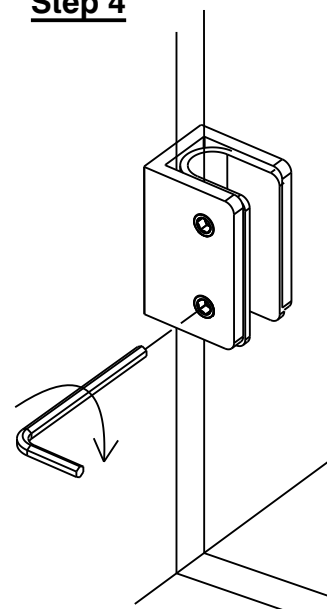
Using the provided Allen key, loosen the two grub screws.

Step 3



Remove the shim and secure the U-channel to the wall using the provided fixings.
Reinsert the shim into the U-channel

Step 4



Install the glass and tighten the grub screws with the Allen key (do not overtighten).
This will securely clamp the glass in place