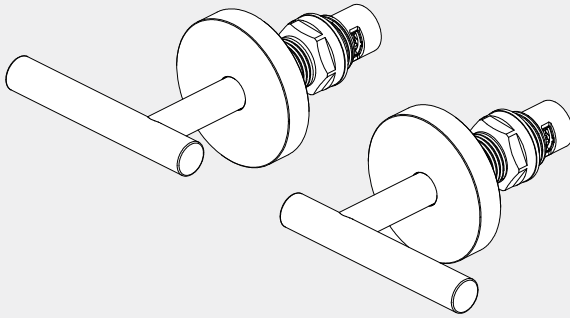


Mecca Lever Wall Top Assembly

Nero

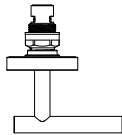
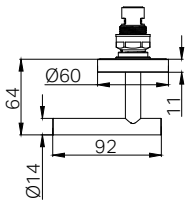


Lead Free



Version : 202601

Drawing



Specifications

Watermark License

WM-060073

Temperature Rating

Min 1 °C - Max 75 °C

Pressure Rating

Min 150kpa - Max 500kpa

Finish & SKU

● **Chrome**
25D012CH

● **Brushed Nickel**
25D012BN

● **Gun Metal**
25D012GM

● **Matte Black**
25D012MB

● **Brushed Gold**
25D012BG

● **Brushed Bronze**
25D012BZ

● **Matte White**
25D012MW

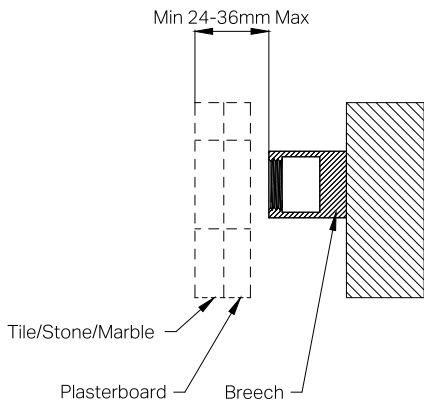
Packing Includes

- 2x Handle Sets
- 2x Spindle Cartridges
- 2x Spindle Connectors
- 2x Waterproofing Sleeves
- 1x Installation Kits

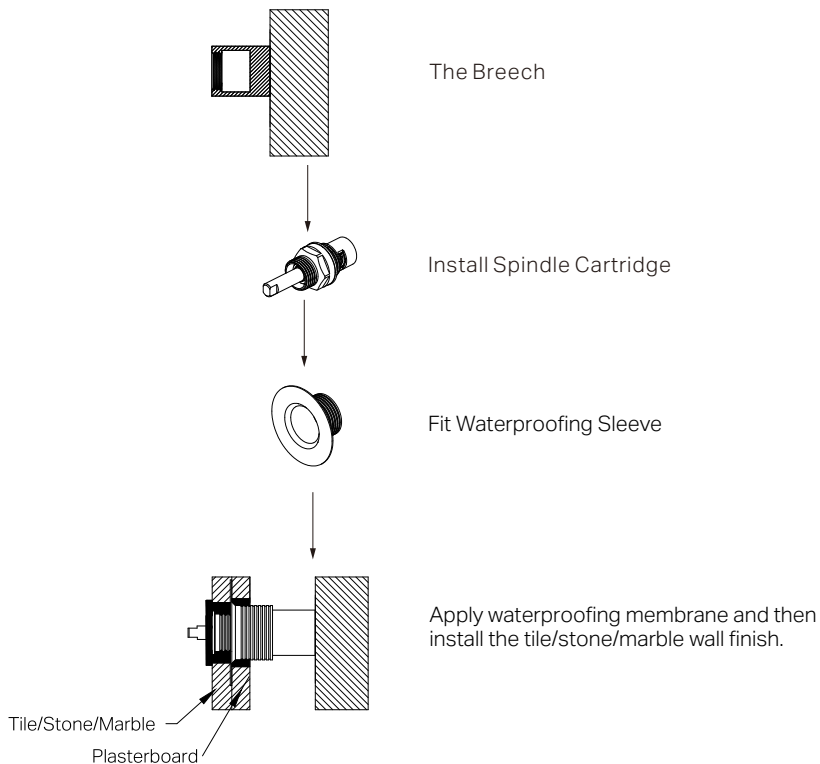
*Dimensions are nominal measurements only.

IMPORTANT

- This Wall Top Assembly is suitable ONLY for set-out depth of 24-36 mm(measured from the breech face to the finished wall surface).
- For set-out depth of 0-24 mm, use Wall Top Assembly-SKU 25D022.
Check wall thickness BEFORE installation.



- Ensure the spindles and waterproofing sleeves are installed and the waterproofing is completed before installing the tile, stone or marble wall finish, as shown below.



INSTALLATION INSTRUCTIONS

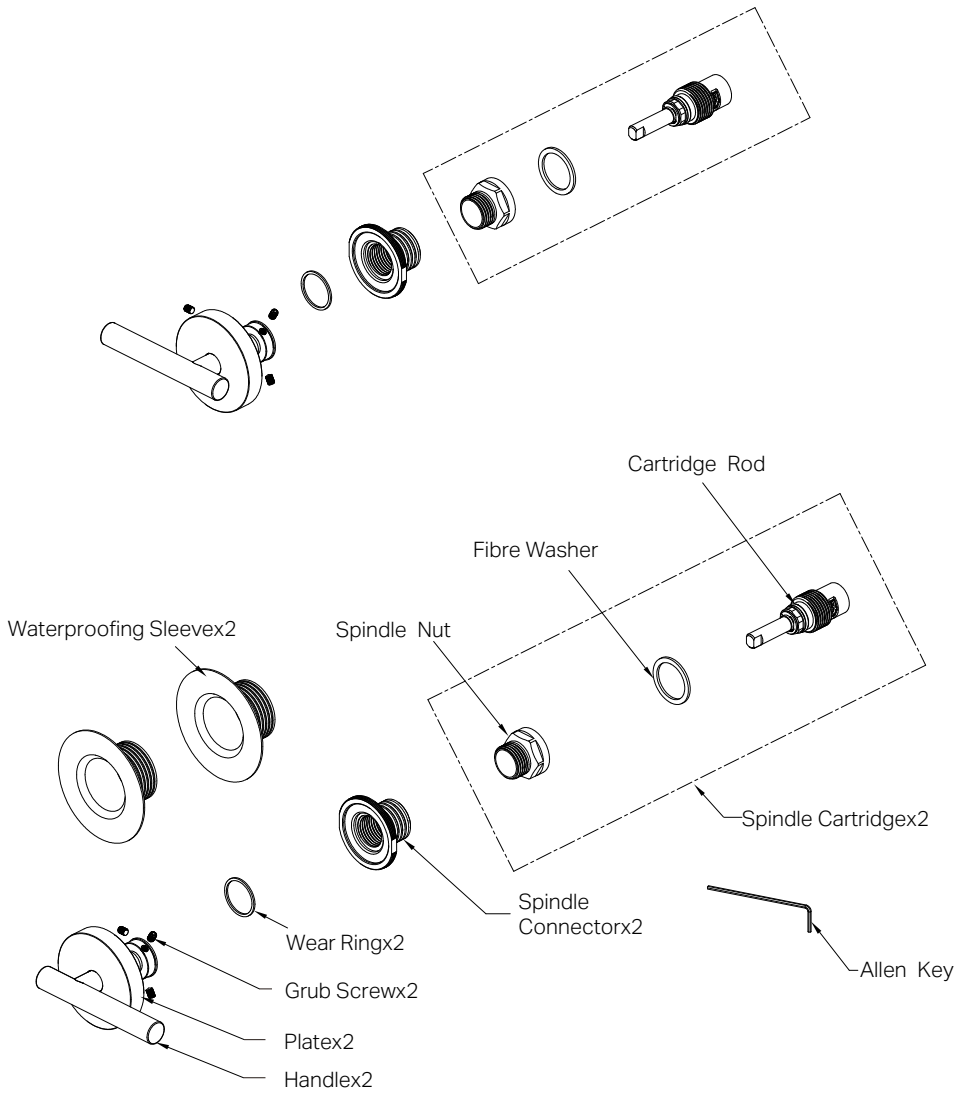
GENERAL INFORMATION

- This product must be installed by a licensed plumber. Ensure that the installation complies with the Australian/New Zealand Standard AS/NZS 3500.
- All pipework must be thoroughly flushed prior to the installation of the mixer. In-line filters must be fitted on both hot and cold supplies to prevent foreign particles from damaging the ceramic cartridge.
- All outlets used primarily for personal hygiene must deliver water at a safe temperature in accordance with regional regulations.

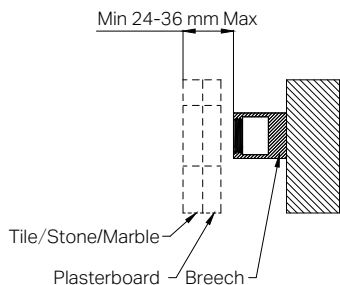
NOTE

- Do not hydrostatic test the installation with this mixer installed. Damage to the ceramic cartridge may occur.
- Do not remove the ceramic cartridge from the mixer when installing.
- After installation, all connections must be checked for leaks.
- This mixer is not recommended for use in uncontrolled heating systems such as wet-backs or solar heating units unless a suitable tempering valve is fitted.
- If limited water flow is experienced, locate aerator and filter washers and clean away foreign material as required.
- It is the responsibility of the plumber to ensure a waterproof seal is achieved between the product and mounting surface. If in doubt about the quality of the seal, remove the product and reinstall.

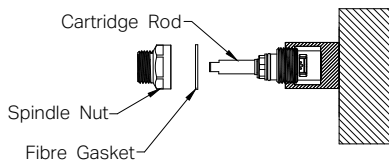
PARTS NAME



INSTALLATION STEPS



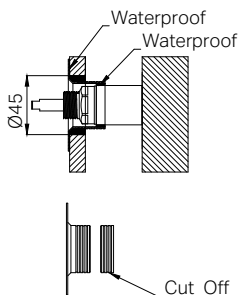
1. Before installation, ensure the distance between the breach face and the finished tile/stone/marble wall surface is 24-36mm.



2. Tighten the cartridge rods firmly into the in-wall breach with a torque wrench .
Recommend torque: 6–8 Nm.

3. Place the fibre washers onto the cartridge rods.

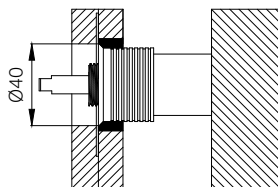
4. Tighten the spindle nuts onto the cartridge rods with a torque wrench.
Recommend torque: 15–18 Nm.



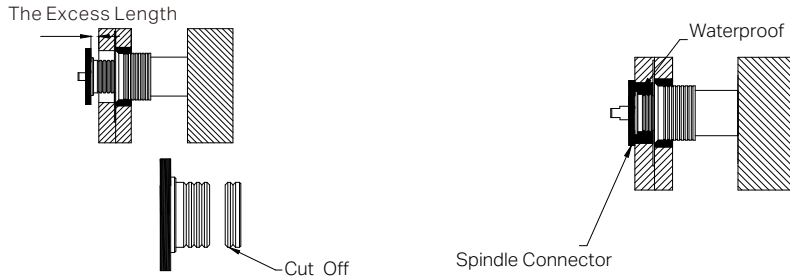
5. Install the plasterboard , and drill two Ø45mm mounting holes at the designated location.

6. Fit the waterproofing sleeves, ensuring they are seated firmly against the plasterboard. The sleeves may be trimmed to length based on the actual wall thickness.

7. Apply waterproofing membrane to the gaps where the plasterboard, waterproofing sleeve meets.



8. Install the tile/stone/ marble, and drill two Ø40mm mounting holes at the designated location.

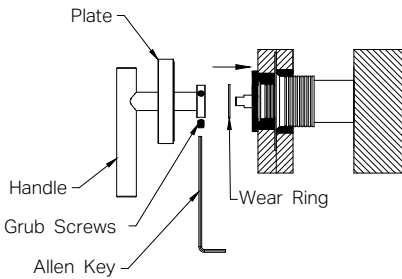


9. Screw the spindle connectors onto the spindle nuts and measure the length protruding beyond the finished tile/stone/marble wall surface.

10. Remove the connectors and cut off the excess length.

11. Fix the cut spindle connectors onto the spindle nuts, ensuring they sit flush against the finished tile/stone/marble surface.

12. Apply waterproofing membrane to seal the gaps around the tile / stone / marble surface, waterproofing sleeves, spindle connections.

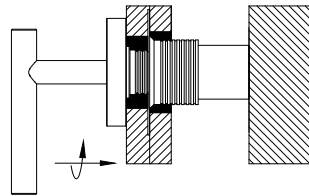


13. Slide the wear rings onto the spindle connections.

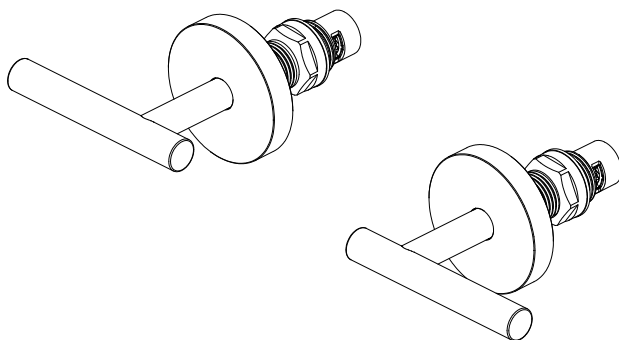
14. Rotate the left spindle clockwise and the right spindle counter-clockwise to the OFF position.

Attach the handles and plates, ensuring the handle stems are aligned as shown.

15. Slide the plates outward and tighten the grub screws on both handles using the Allen key.



16. Slide the handle plates inward and hand-tighten until secure.



17. Installation Complete (Off Position)

FINAL INSPECTION

- Ensure the product operates smoothly and that there are no leaks at the connections.
- Clean the area and the newly installed tap with a soft cloth to remove any installation residues.

MAINTENANCE AND CARE

- Regularly check the product and connections for signs of wear or leaks.
- Clean the product with mild soapy water to maintain its appearance, avoiding harsh chemicals and abrasive materials that may damage the finish.

Nero



Warranty Policy