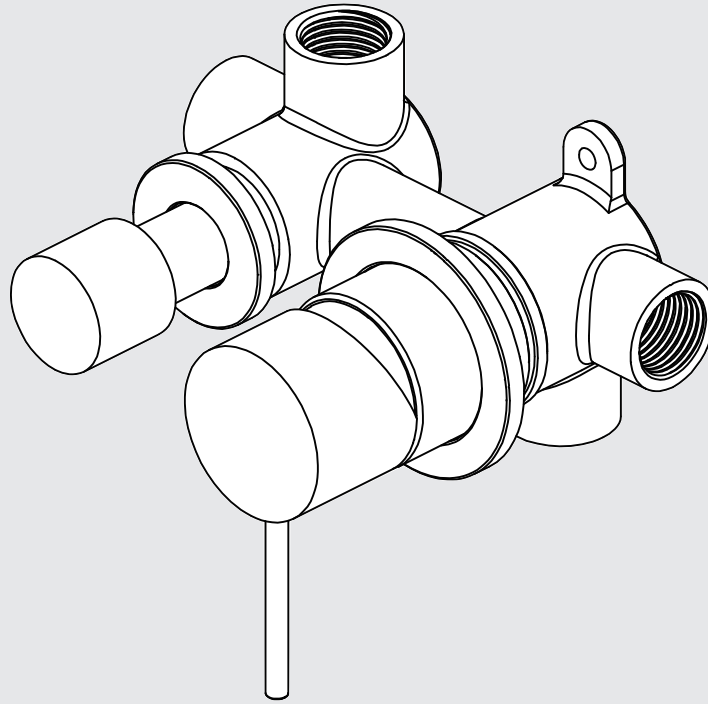


Mecca Shower Mixer With Horizontal 2 Way Diverter

Nero

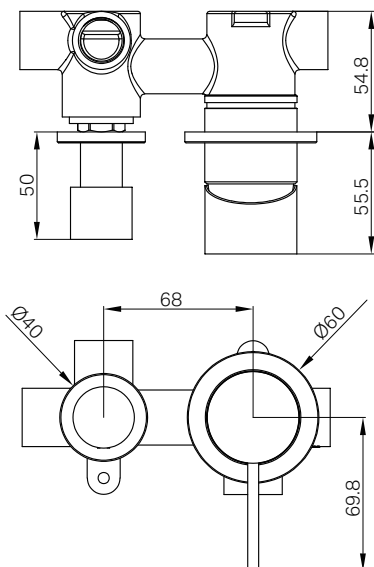


Lead Free



Versions:202506

Drawing



Specifications

Watermark License

WM-060073

Temperature Rating

Min 1°C-Max 75°C

Pressure Rating

Min 150kpa - Max 500kpa

Group Item

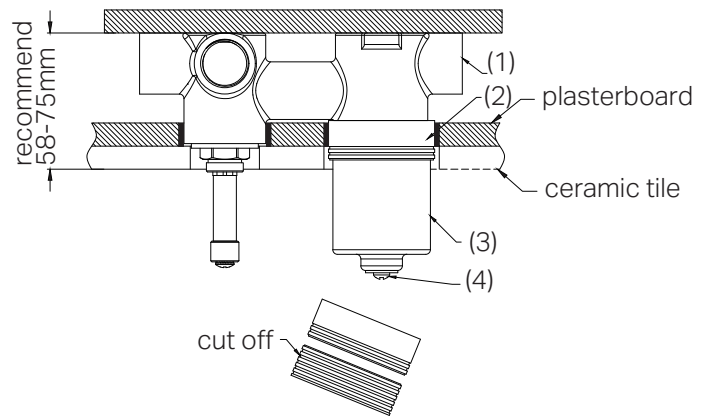
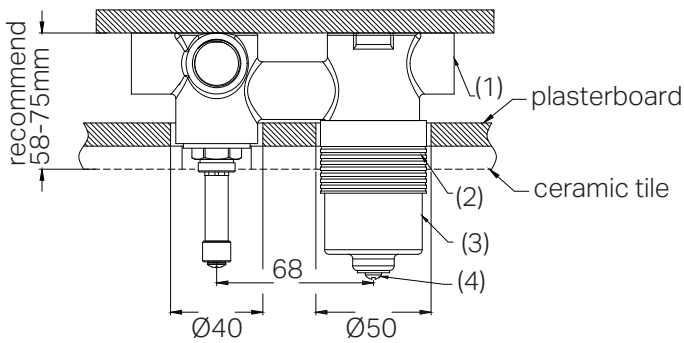
1x Universal Body
1x Trim Kits Only

Finish & SKU

 Chrome NR221911uCH	 Gun Metal NR221911uGM	 Brushed Bronze NR221911uBZ	 Brushed Nickel NR221911uBN
 Matte Black NR221911uMB	 Brushed Gold NR221911uBG	 Matte White NR221911uMW	

*Dimensions are nominal measurements only.

Installation Instruction For Body Only



1. Secure the mixer body (1) to the nogging, ensuring an installation depth is 58-75mm from the nogging to ceramic tile.

Caution: Do not remove plastic sleeve (2) from the mixer body.

2. Connect the cold and hot water supply lines and perform a leak test.

3. Drill a $\phi 50\text{mm}$ and a $\phi 40\text{mm}$ hole in the plasterboard for mixer body, and then position plasterboard as shown in the above image.

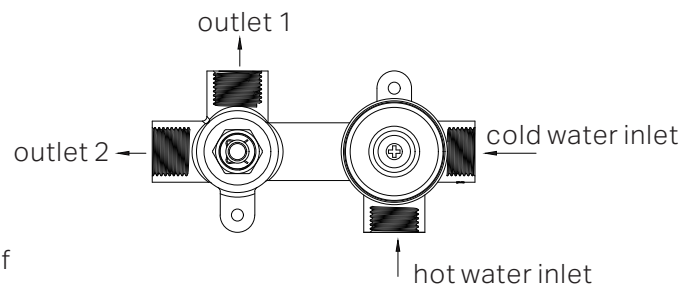
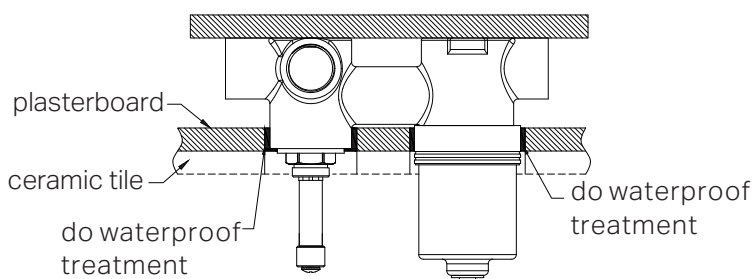
4. When the installation depth is 58-70mm, make the plastic sleeve (2) 2-4mm from ceramic tile surface to body,

when the installation depth is 71-75mm, make the plastic sleeve (2) 4-7mm from ceramic tile surface to body.

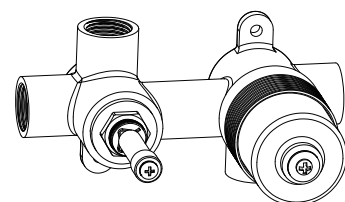
Then waterproof the gap between the plasterboard and body.

5. Remove self-tapping screw, washer and plastic sleeve, and cut the plastic sleeve from the marked point.

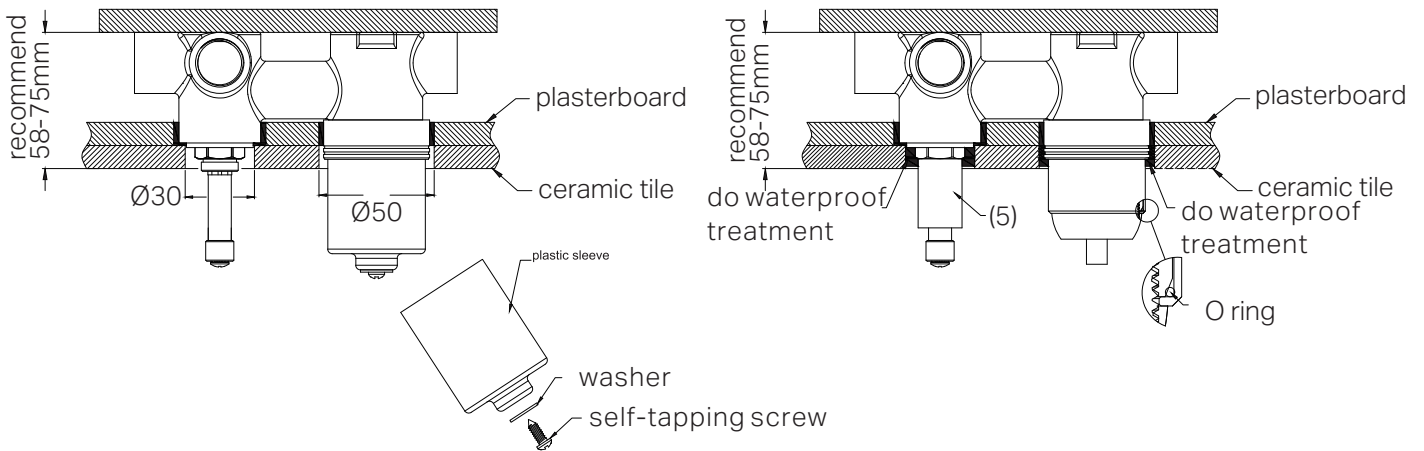
6. Reattach self-tapping screw, washer and plastic sleeve.



7. Waterproof for the gap the plasterboard and body.

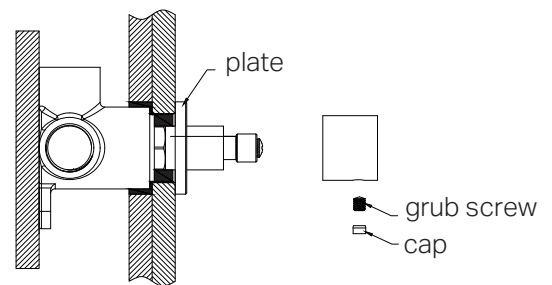
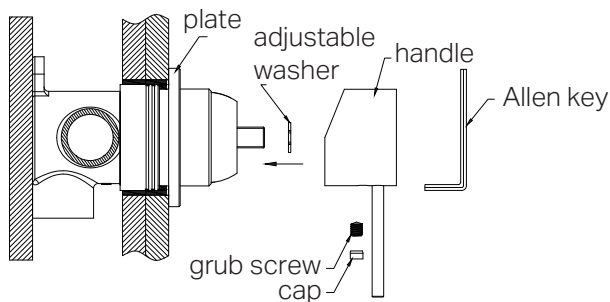


Installation Instruction For Trim Kits Only



1. Drill a $\phi 50\text{mm}$ and a $\phi 30\text{mm}$ hole in the ceramic tile, then position it as shown in the above diagram.
2. Undo the self-tapping screw to remove the plastic sleeve.

3. Insert the O ring to the dressing bell groove, and slide the cartridge bell onto cartridge and slide Diverter dressing bell onto Diverter cartridge.
4. Apply waterproof treatment to the area indicated in the diagram above.
5. Tighten up the dressing ring on the cartridge bell.



6. Slide the backplates onto body.
7. Attach the washer to cartridge rod, position the handle, tighten it with a grub screw using an Allen key, and cap the grub screw hole.

8. Put knob onto Diverter cartridge, tighten it with grub screw using Allen key, and cap the grub screw hole.

Nero

