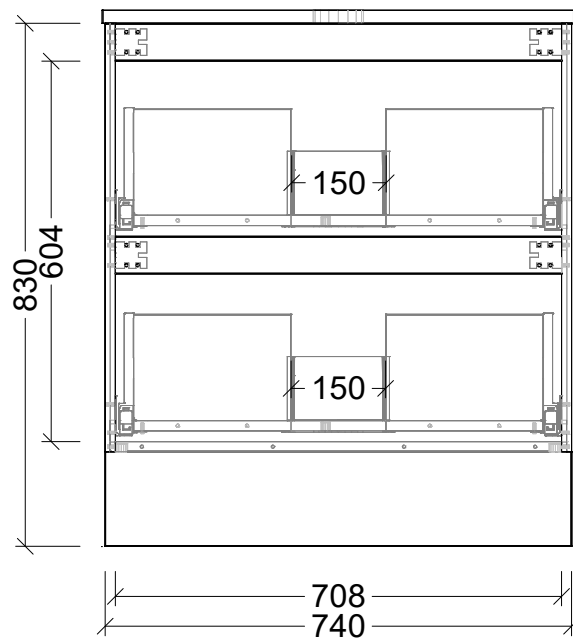
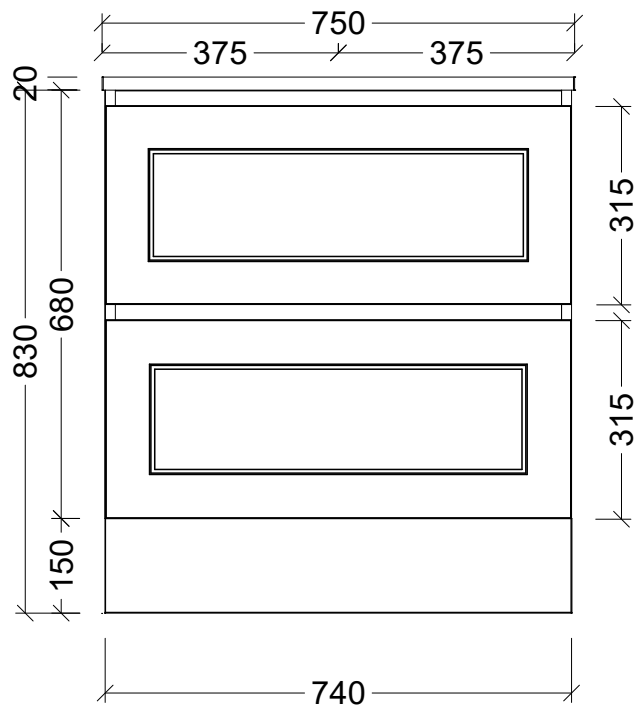
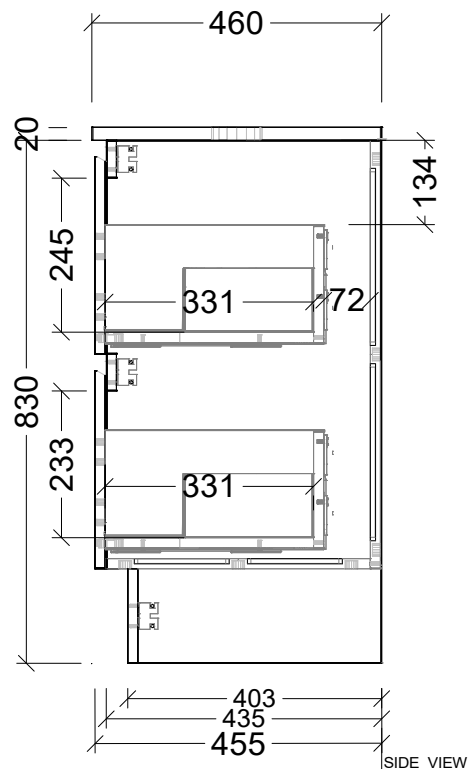


EXTERNAL VIEW



INTERNAL VIEW



Range	Nevada Plus Classic
Mount	Floor Standing
Size	750
SKU	NVPC-VCO-750-C-X-F

TOP DETAILS

- Available Tops
- 1 - SilkSurface
 - 2 - Alpha Ceramic
 - 3 - Regal Mineral
 - 4 - Stadium Mineral
 - 5 - Haven Dolomite

NOTES

Revision	01
Date	20/02/26

DIMENSIONS SHOWN ARE IN MILLIMETERS, ARE NOMINAL ONLY AND SUBJECT TO CHANGE AT ANY TIME.
DO NOT SCALE DRAWINGS.
INSTALLER TO CONFIRM ALL DIMENSIONS ON-SITE PRIOR TO INSTALL.
SIZE VARIATION (+/- 3%) IS TO BE EXPECTED ON CERAMIC TOPS.
E&OE.

Copyright ©

Timberline

22 Myrtle Drive, Armidale NSW 2350
www.timberline.com.au
02 6773 8500