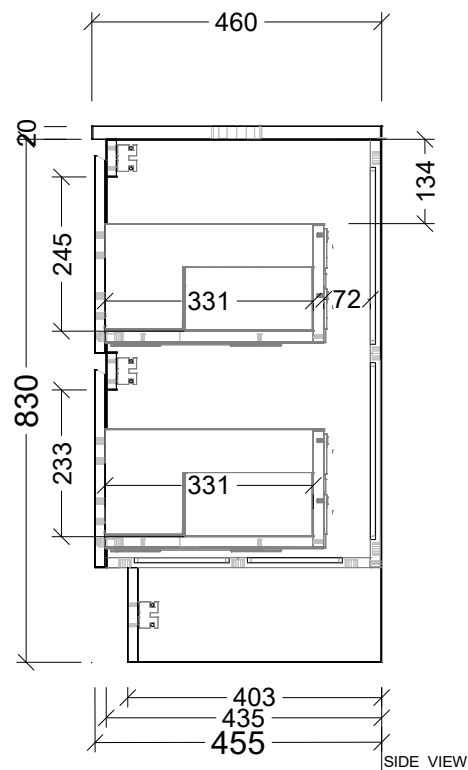
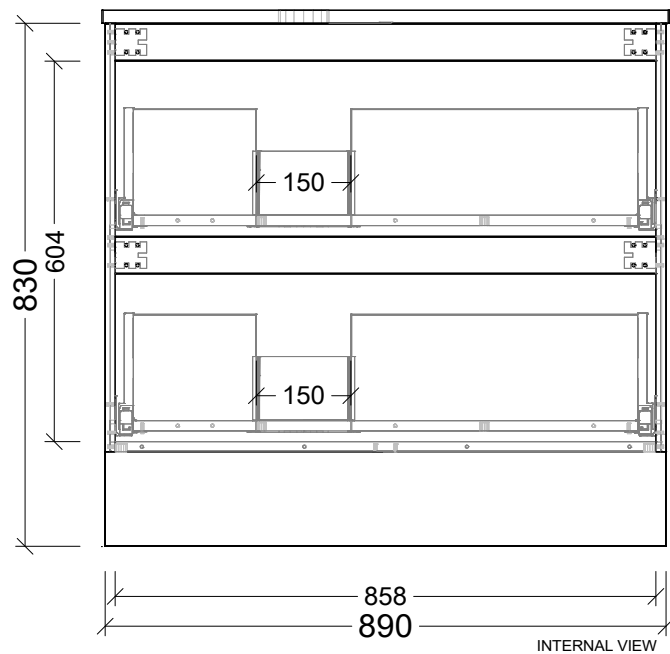
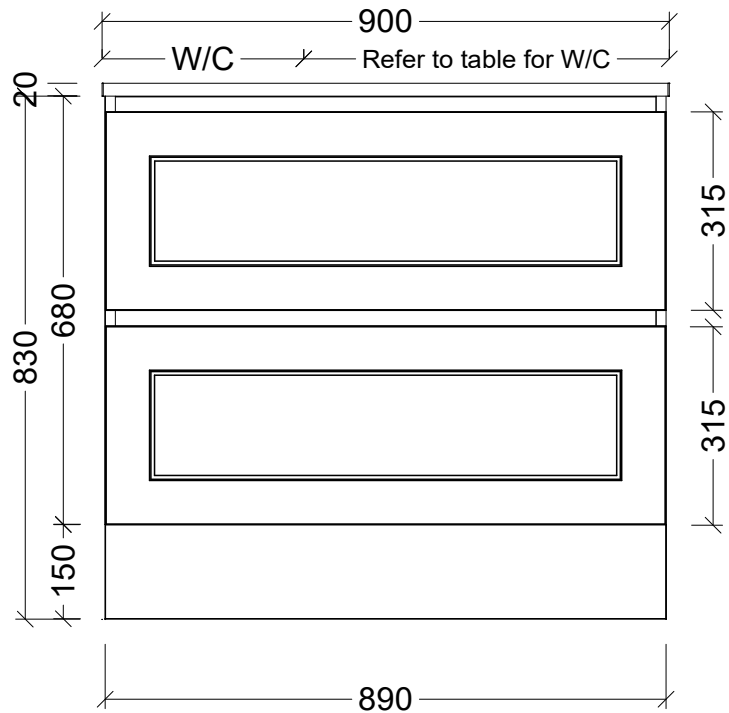


EXTERNAL VIEW



Range Nevada Plus Classic

Mount Floor Standing

Size 900

SKU NVPC-VCO-900-L-X-F

TOP DETAILS

Available Tops	Waste Centre (mm)
1 - Alpha Ceramic	340
2 - Regal Mineral	310
3 - SilkSurface	320

NOTES

Revision 01

Date 27/03/26

DIMENSIONS SHOWN ARE IN MILLIMETERS, ARE NOMINAL ONLY AND SUBJECT TO CHANGE AT ANY TIME.

DO NOT SCALE DRAWINGS. INSTALLER TO CONFIRM ALL DIMENSIONS ON-SITE PRIOR TO INSTALL.

SIZE VARIATION (+/- 3%) IS TO BE EXPECTED ON CERAMIC TOPS. E&OE.

Copyright ©

Timberline

22 Myrtle Drive, Armidale NSW 2350
www.timberline.com.au
02 6773 8500