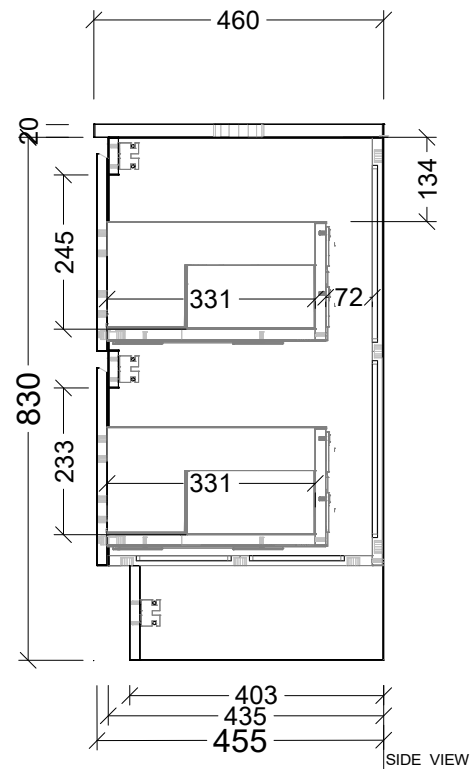
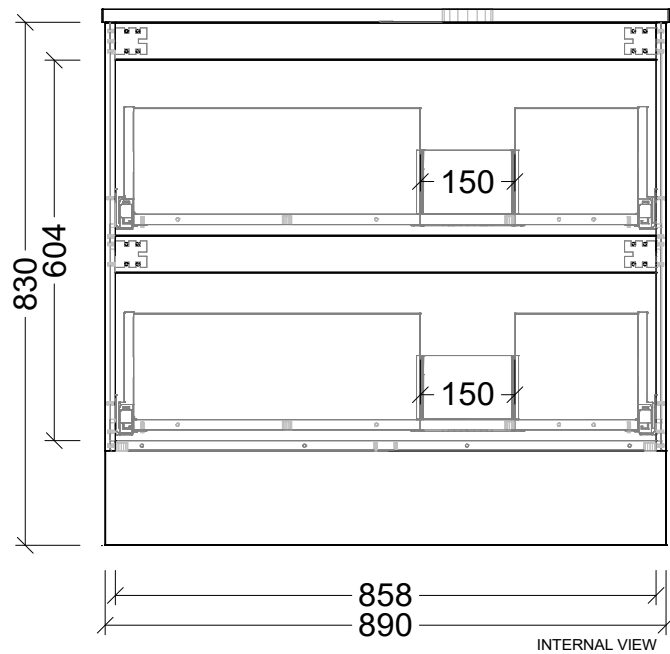
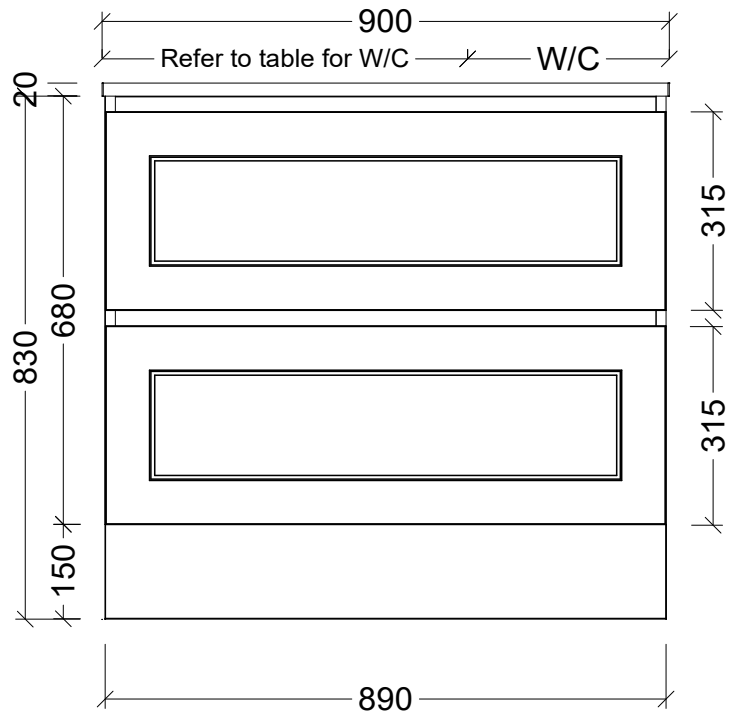


EXTERNAL VIEW



Range	Nevada Plus Classic
Mount	Floor Standing
Size	900
SKU	NVPC-VCO-900-R-X-F

TOP DETAILS

Available Tops	Waste Centre (mm)
1 - Alpha Ceramic	340
2 - Regal Mineral	310
3 - SilkSurface	320

NOTES

Revision	01
Date	27/03/26

DIMENSIONS SHOWN ARE IN MILLIMETERS, ARE NOMINAL ONLY AND SUBJECT TO CHANGE AT ANY TIME.
DO NOT SCALE DRAWINGS.
INSTALLER TO CONFIRM ALL DIMENSIONS ON-SITE PRIOR TO INSTALL.
SIZE VARIATION (+/- 3%) IS TO BE EXPECTED ON CERAMIC TOPS.
E&OE.

Copyright ©

Timberline

22 Myrtle Drive, Armidale NSW 2350
www.timberline.com.au
02 6773 8500