



MORE THAN JUST QUALITY – AN EXPERIENCE™



FUTURA
DUKE RETURN
INTEGRATED
PRIVACY SET

Component: 1 Pair Integrated Privacy Set (with push button on rose) & 1x Integrated Privacy Latch



Description:

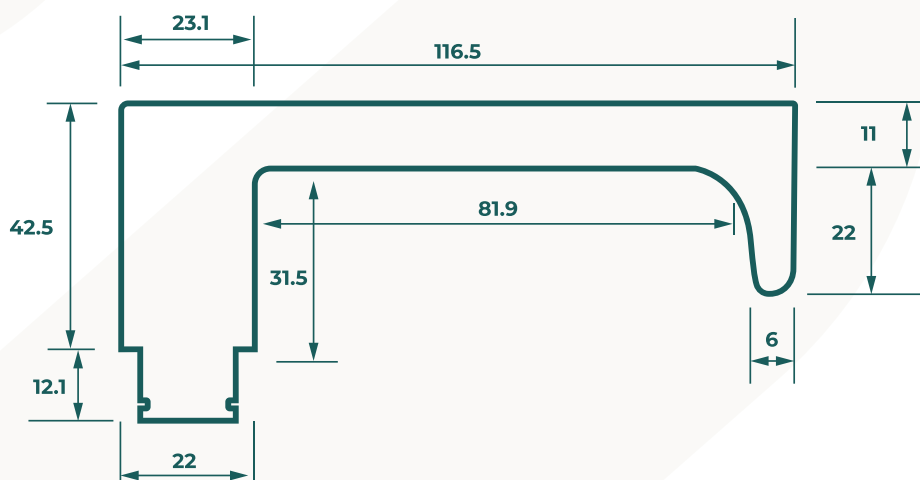
- 15-Year Warranty: Futura Door Furniture is covered for 15 years internally and 10 years externally. If defective, Zanda will replace it for free.
- Ergonomic design for user comfort
- Modern European design
- Ideal for elderly
- Disabled compliant
- Backsets are 60mm. Specify if otherwise.
- Suit domestic and light commercial application
- Suits 25mm hole size

Available Set:

- Lever Set
- Passage Set
- Separate Privacy Set
- Integrated Privacy Set
- Dummy Set
- Entrance Set

Available Finish:

- Brushed Nickel
- Graphite Nickel
- Matt Black
- Satin Brass
- White



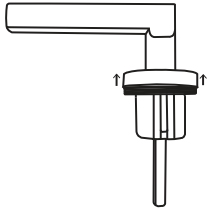
Note: Measurements are in mm

FUTURA RAPIDFIT REMOVED INTEGRATED PRIVACY SETS

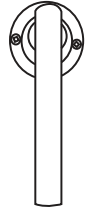
Print: Actual size on A4 paper

Product Code: 10012 | 10022 | 10072
10082 | 10092 | 7090 | 7191 | 7037 | 7196 | 10002 | 10052

RapidFIT REMOVED



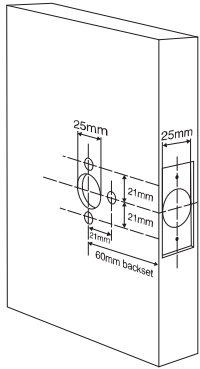
1. Unscrew the rose covers.



2. Remove the screw with the red screw head.



3. Remove the rapidFIT boss from the handle.



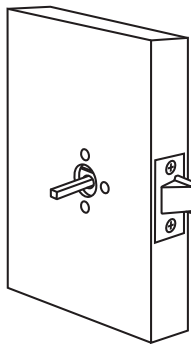
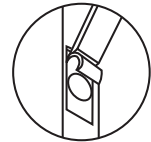
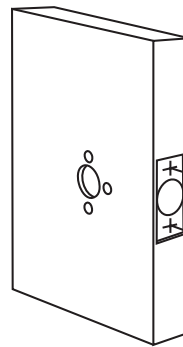
4. Measure the thickness and mark the centre at the desired height for the latch.

5. Drill a 25mm(1") diameter hole through the door edge to a depth of at least 90mm. Ensure this hole is square to the door.

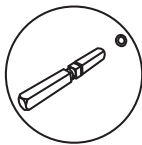
6. Mark the face of the door each side for drilling a 25mm diameter spindle hole. The centre of the spindle hole will need to be 60mm from the door edge (backset). Mark 2 6mm screw holes at 21mm above and below the centre of the spindle hole. For clean cut-outs, drill from both side, meeting in the middle of the door.

7. Insert the latch, scribe around the faceplate, remove, then chisel out the recess to enable the latch faceplate to sit flush the door edge.

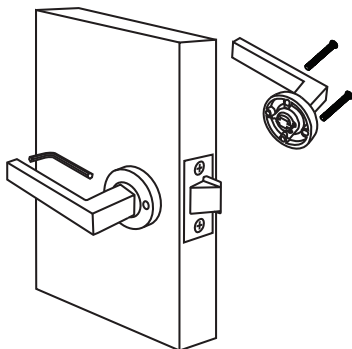
8. Remove any loose saw dust, insert the latch and secure it with the wood screws provided.



9. Pull off the rose covers. Remove the o-ring from the spindle, insert the spindle into the latch so an even amount protrudes on each side of the door and slide the o-ring back onto the spindle.



10. Insert the blind nuts through the face of the rose at two vertical positions. Slide the handle over the spindle and press against the door.

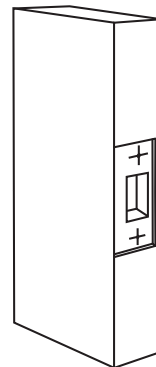


11. Slide the handle on the opposite side of the door over the spindle and press against the door. Insert the long bolts through the face of the rose and tighten them into the blind nuts.

12. Press the rose covers onto the handles and ensure the integrated privacy pin holes are lined up. Tighten the grub screws on the side of the levers onto the spindle for each side of the door. Tighten the grub screws on the side of the rose covers onto the roses.

13. Close door against the frame and mark the latch position for fitting of the striker.

14. Router or chisel so the striker fits flush, allowing for the plastic dust-box behind the striker.



16. Secure the striker with the wood screws provided.

17. Adjust the antirattle tab on the inside of the striker if necessary to ensure a firm close of the door.

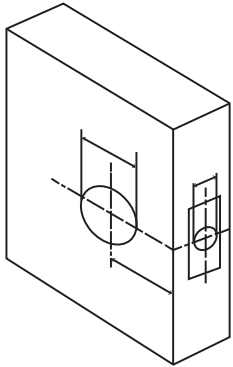
Note: The grub screws may need a re-tighten after a bedding period. We recommend medium strength thread-lock to bed used.

FUTURA RAPIDFIT INTEGRATED PRIVACY SETS

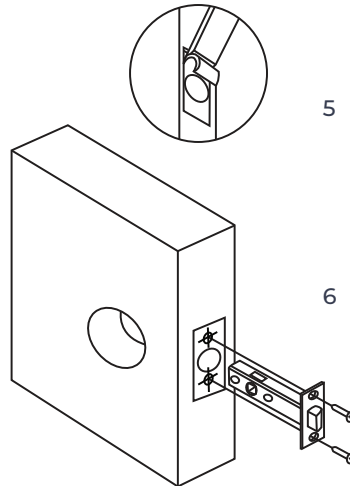
Print: Actual size on A4 paper

Product Code: 10012 | 10022 | 10072
10082 | 10092 | 7090 | 7191 | 7037 | 7196 | 10002 | 10052

- 1 Measure the thickness and mark the centre at the desired height for the latch.
- 2 Drill a 25mm(1") diameter hole through the door edge to a depth of atleast 90mm. Ensure this hole is square to the door.
- 3 Mark the face of the door each side for drilling a 48mm diameter spindle hole. The centre of the spindle hole will need to be 60mm from the door edge (backset). We recommend using a 48mm hole saw. For clean cutouts, drill from both side, meeting in the middle of the door.

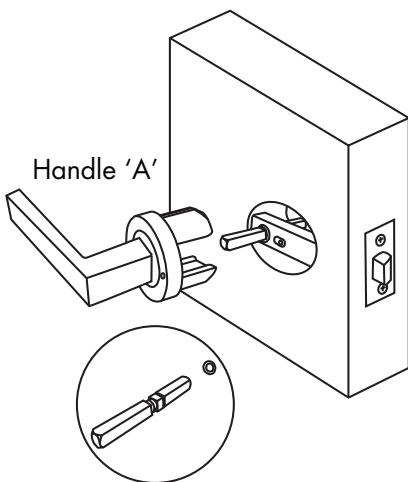


- 4 To change the handing of the latch, remove the outer faceplate, pull and rotate the latch tongue 180 degrees.
- 5 Insert the latch, scribe around the faceplate, remove, then chisel of the recess to enable the latch faceplate to sit flush with the door edge.
- 6 Remove any loose saw dust and insert the latch, attach the faceplate and secure with the wood screws provided.

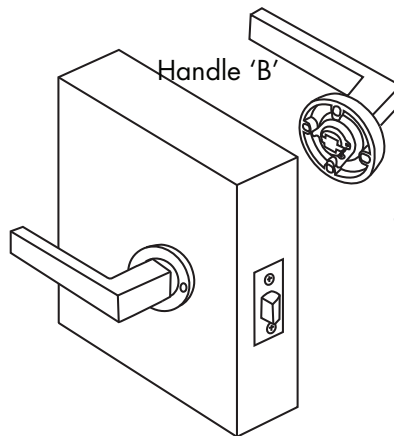


Note: To change the handing of the latch, pull out the tongue and then twist to rotate the position of the tongue.

- 7 Remove the o-ring from the spindle, insert the spindle into the latch so an even amount protrudes on each side of the door and slide the o-ring back onto the spindle.
- 8 Insert handle 'A' with rapidFIT attached onto the spindle in the 48mm hole and press against the door.



- 9 Insert handle 'B' over the spindle. Ensure the handles are straight before securing through the fixing screws.
- 10 Press the rose covers onto the handles and ensure the integrated privacy pin holes are lined up. Tighten the grubscrews on the side of the levers onto the spindle for each side of the door. Tighten the grubscrews on the side of the rose covers onto the roses.



Note: To change the handing of the latch, pull out the tongue and then twist to rotate the position of the tongue.

- 11 Close door against the frame and mark the latch position for fitting of the striker.
- 12 Router or chisel so the striker fits flush, allowing for the plastic dustbox behind the striker.
- 13 Secure the striker with the wood screws provided.
- 14 Adjust the antirattle tab on the inside of the striker if necessary to ensure a firm close of the door.

