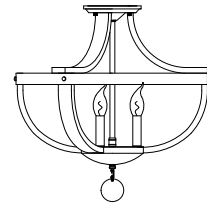




*At Home In Any Environment*

**Assembly & Installation Instructions for:  
300440 SEMI-FLUSH**



Customer Service : (702)361-4345, (800)525-2655, customer.service@kalco.com

**WARNING - TO REDUCE THE RISK OF FIRE OR INJURY:**

- 1.If you are unfamiliar with electrical wiring, call a qualified electrician to install this unit .More than one person may be necessary to install fixture ,make sure you have enough qualified help.
- 2.Turn off the power to the fixture's circuit at the service panel. Use a voltage detector to verify that the power is off.
- 3.DO NOT install bulb which exceeds the maximum wattage specified on the socket label.

**Fixture Assembly**

Step 1. Fasten 2 8-32 screws to mounting plate so that they extend away from the wall when mounting plate is installed

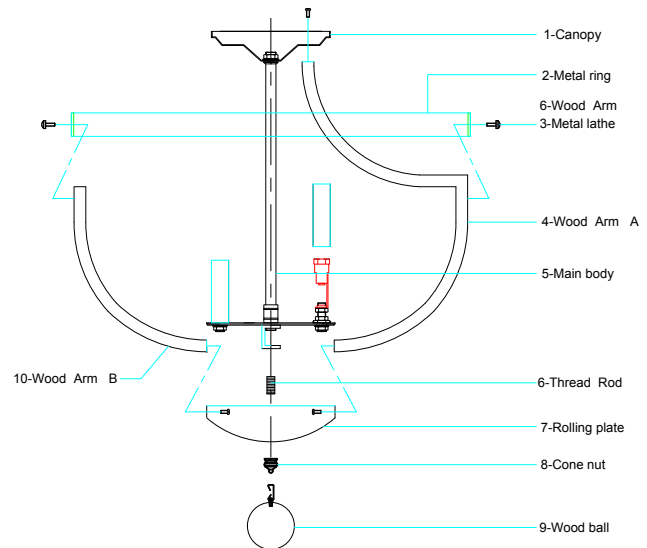
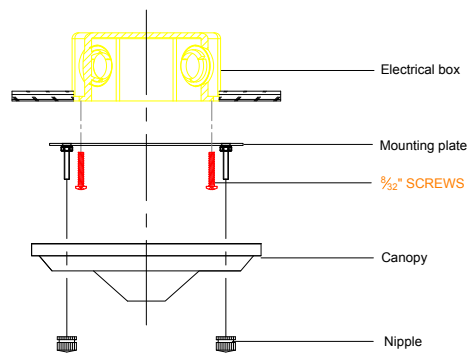
Step 2. Attach mounting plate to electrical box using 2 8-32 machine screws

Step 3. Take steel wire through base plate, and fix it by safety lathe, then move them to ceiling, fix them by tread cap. connect main wire with power see Step 7.

Step 4. Fix part #4, #10 to part #2, #7 by using screw .

Step 5. Put part #6 through part #7 then screw to part #5, #8.

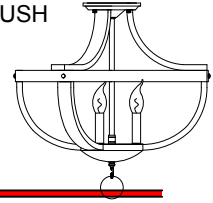
Step 6. Fix part #4 to part #1 by using screw .





*At Home In Any Environment*

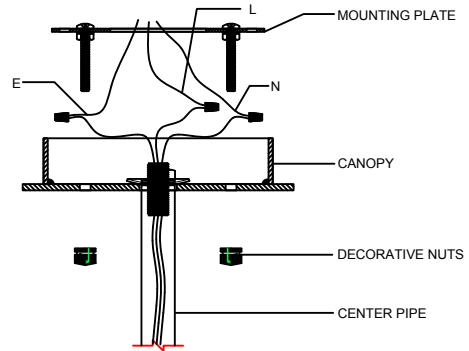
**Assembly & Installation Instructions for:  
300440 SEMI-FLUSH**



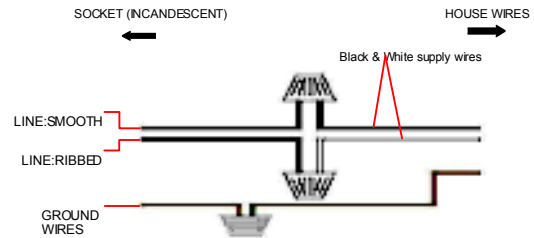
Customer Service :(702)361-4345,(800)525-2655,customer.service@kalco.com

**Fixture Assembly**

Step 7. Refer to wiring diagram.  
Splice the ribbed side of fixture cord to the white supply wire from outlet box with wire connector. Splice the smooth side of the fixture cord to black supply wire from outlet box with wire connector



Step 8. Carefully tuck in all wires and raise the canopy to the outlet box . Secure canopy with nuts



Step 9. Install E12 bulbs,do not use bulbs that exceeds 60W

