

MODEL 304852CG

WARNING

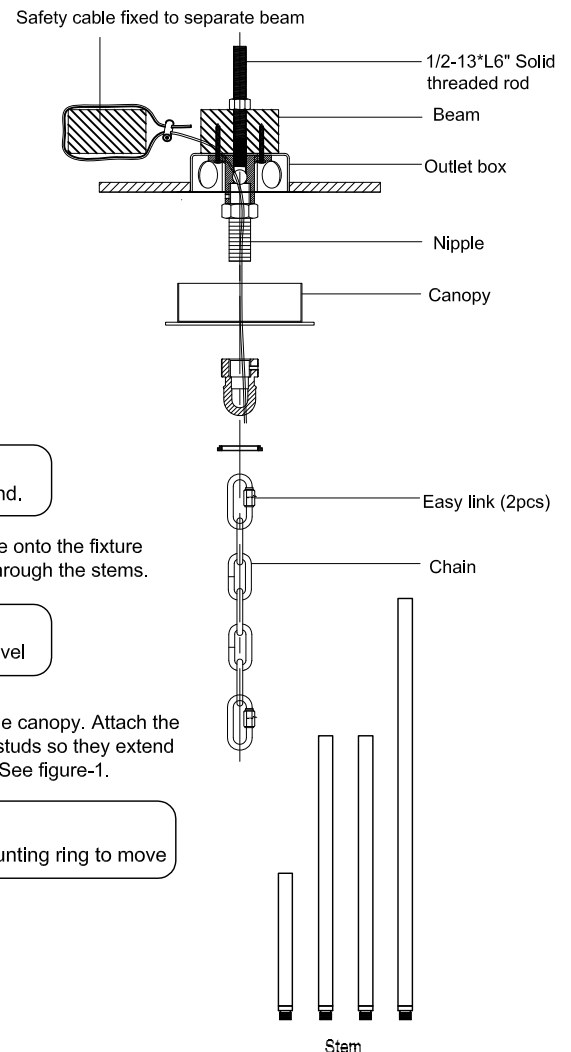
DISCONNECT POWER BEFORE RELAMPING OR WIRING THE FIXTURE
READ ALL INSTRUCTIONS COMPLETELY BEFORE STARTING INSTALLATION.

CAUTION

- TO AVOID THE RISK OF FIRE OR SHOCK, FIXTURE MUST BE INSTALLED IN COMPLIANCE WITH ALL APPLICABLE NATIONAL AND LOCAL ELECTRICAL/BUILDING CODES.
- INSTALLATION AND MAINTENANCE OF THIS UNIT REQUIRES AN ELECTRICIAN OR CERTIFIED FACTORY TRAINED TECHNICIAN.
- If an existing fixture is being replaced, remove it and note to which of the wires in the outlet box the fixture was attached. DO NOT SEPARATE ANY OTHER WIRES THAT MAY BE IN THE BOX. DO NOT DAMAGE THE INSULATION OF OLDER WIRING. In regular circumstances the BLACK wire will be the "Hot" lead and the WHITE wire will be the "Neutral" or "Common" lead A GREEN or BARE COPPER wire is the "Ground". In older buildings it is always good practice to reconfirm the polarity of the wiring.

NOTICE

- The important safeguards and instructions outlined on this sheet cannot cover all possible conditions and situations that may occur. It must be understood that common sense, caution and care factors that cannot be built into any product. Caution and care must be supplied by the person(s) installing, operating and caring of this lighting fixture
- This fixture is design to be mounted on a correctly installed standard round or octagon box or a through wiring box with a plaster frame. The box must be securely mounted to the structure of the building. The crossbar and hardware supplied should be used. Directly mounting the fixture to the outlet box may make it impossible to correctly align the fixture.



FIXTURE PREPARATION

1. Remove the fixture, shades, crystals and parts bag(s) from the carton.

NOTICE:

Before discarding the carton, double check to make certain that all parts are found.

2. Determine the overall desired length of the fixture. Assemble the stems one at a time onto the fixture leads. Tape the ends of the leads to a stiff wire (coat hanger) to aid in pulling them through the stems.

NOTICE:

Place the canopy onto the stem BEFORE assembling the top stem section and swivel

FIXTURE INSTALLATION

1. Thread the screws into the mounting ring at the spacing that matches the holes in the canopy. Attach the mounting ring to the outlet box. (The green screw should face the floor). Adjust the studs so they extend 3/16" beyond the canopy. Attach the safety cable to the structure building or brace. See figure-1.

NOTICE:

If used on a sloped ceiling, loosen the mounting screws 1/4 turn to allow the mounting ring to move

NOTICE:

THIS LUMINAIRE MUST BE MOUNTED OR SUPPORTED INDEPENDENTLY OF AN OUTLET BOX.

WARNING

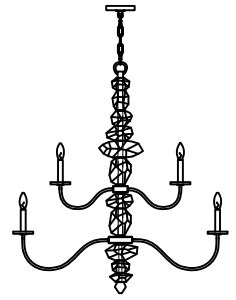
REFER TO THE ILLUSTRATION FOR CORRECT AND SAFE INSTALLATION OF SAFETY CABLE. FAILURE TO FOLLOW THIS INSTRUCTION COULD RESULT HARM/DAMAGE TO THE FIXTURE, PROPERTY AND/OR PERSON(S) !



Customer Service :(702)361-4345,(800)525-2655,customer.service@kalco.com

WARNING - TO REDUCE THE RISK OF FIRE OR INJURY:

- 1.If you are unfamiliar with electrical wiring, call a qualified electrician to install this unit. More than one person may be necessary to install fixture, make sure you have enough qualified help.
- 2.Turn off the power to the fixture's circuit at the service panel. Use a voltage detector to verify that the power is off.
- 3.DO NOT install bulb which exceeds the maximum wattage specified on the socket label.
- 4.This product must be installed in accordance with the applicable installation code by a person familiar with the construction and operation of the product and the hazards involved.



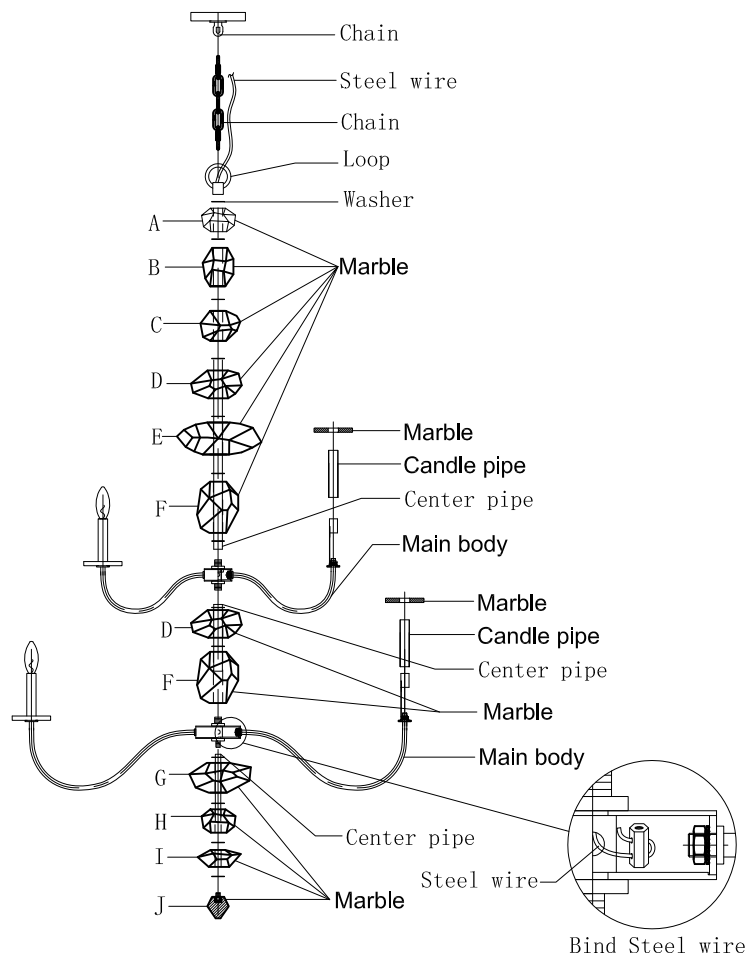
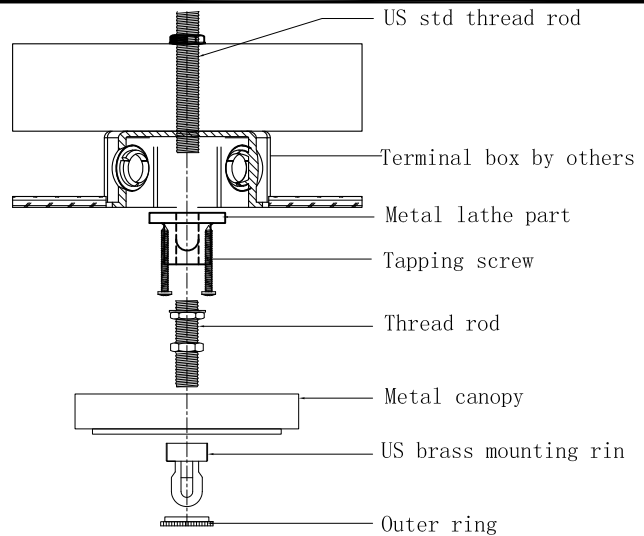
Fixture Assembly

Step 1. Fasten 2 8-32 screws to mounting plate so that they extend away from the wall when mounting plate is installed

Step 2. Attach mounting plate to electrical box using 2 8-32 machine screws
At the same time,install safety to ceiling beam

Step 3. Connect steeve with hub ,main body .
at the same time ,take wire through lamp body,see diagram

Step 4.Screw part center pipe to part main fixture.
Connect part washer、marble by using center pipe.
Screw part loop to part center pipe.
Connect part candle piper、marble by using main body.
Screw bulb into lampholder.
Check the installation.
Please fix part #A、#B...#J according the order perthe drawing.



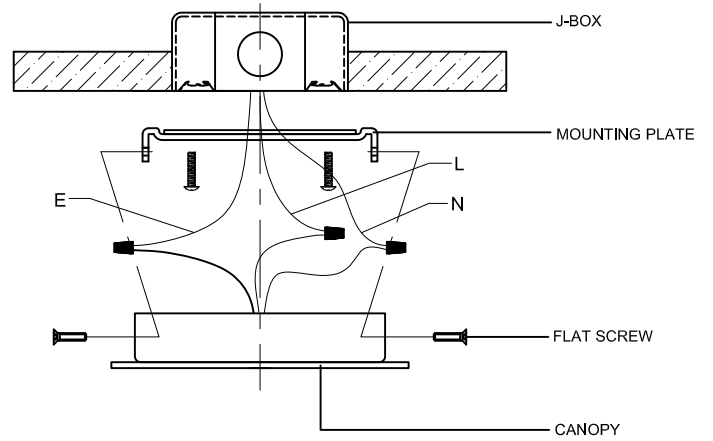
Customer Service :(702)361-4345,(800)525-2655,customer.service@kalco.com

Fixture Assembly

Step 5. Refer to wiring diagram.
Splice the ribbed side of fixture cord to the white supply wire from outlet box with wire connector. Splice the smooth side of the fixture cord to black supply wire from outlet box with wire connector

Step 6. Carefully tuck in all wires and raise the canopy to the outlet box . Secure canopy with nuts

Step 7. Install candelabra,do not use bulbs that exceeds 60W bulbs,Then take crystal shade on the arm



Wiring Diagram

