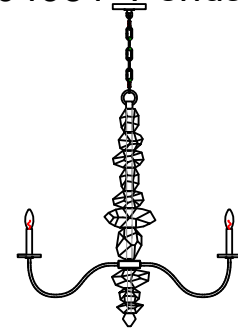




At Home In Any Environment

Assembly & Installation Instructions for:  
304951 Pendant

Customer Service :(702)361-4345,(800)525-2655,customer.service@kalco.com



**WARNING - TO REDUCE THE RISK OF FIRE OR INJURY:**

- 1.If you are unfamiliar with electrical wiring, call a qualified electrician to install this unit .More than one person may be necessary to install fixture ,make sure you have enough qualified help.
- 2.Turn off the power to the fixture's circuit at the service panel. Use a coltage detector to verify that the power is off.
- 3.DO NOT install bulb which exceeds the maximum wattage specified on the socket label.

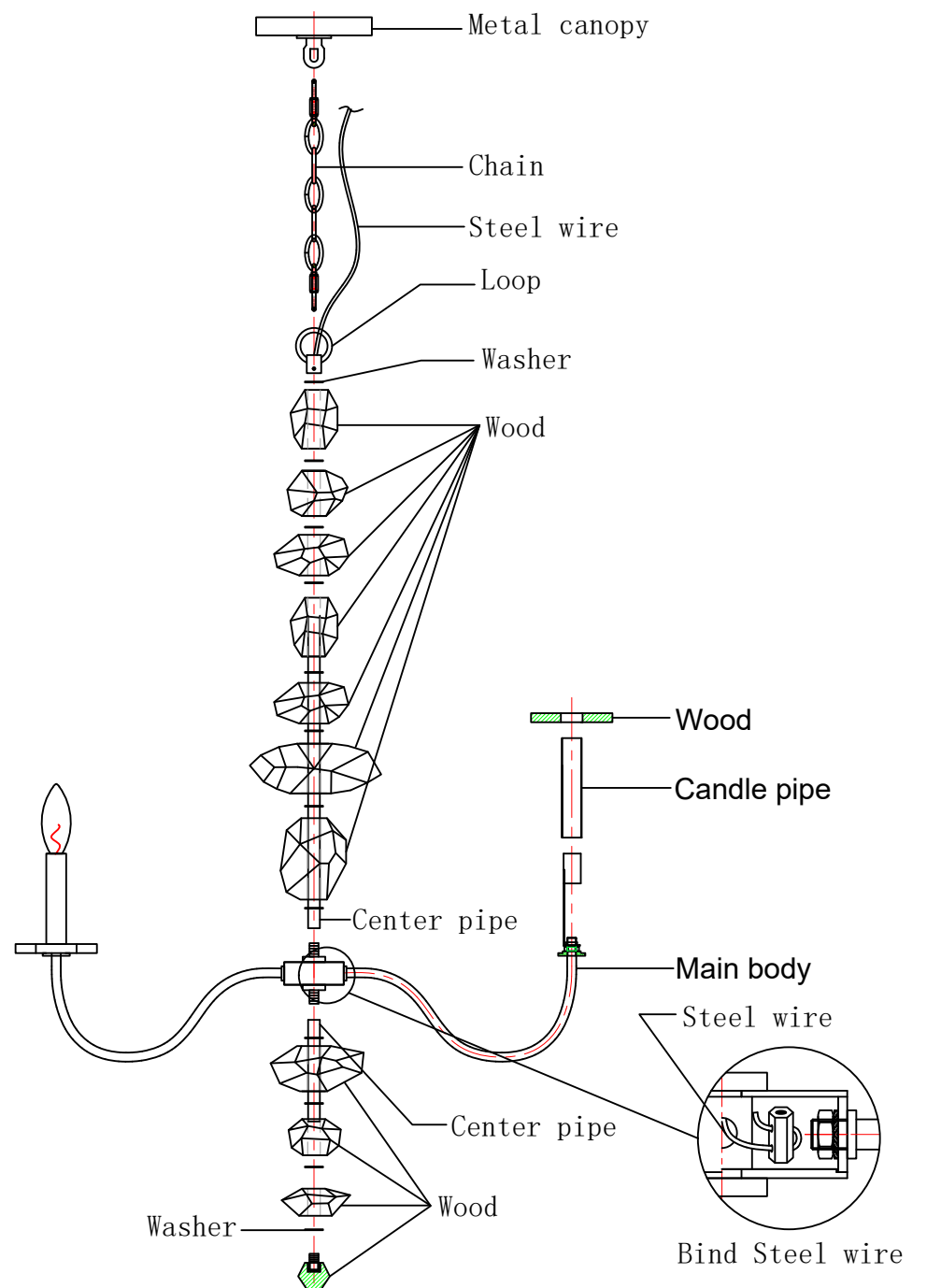
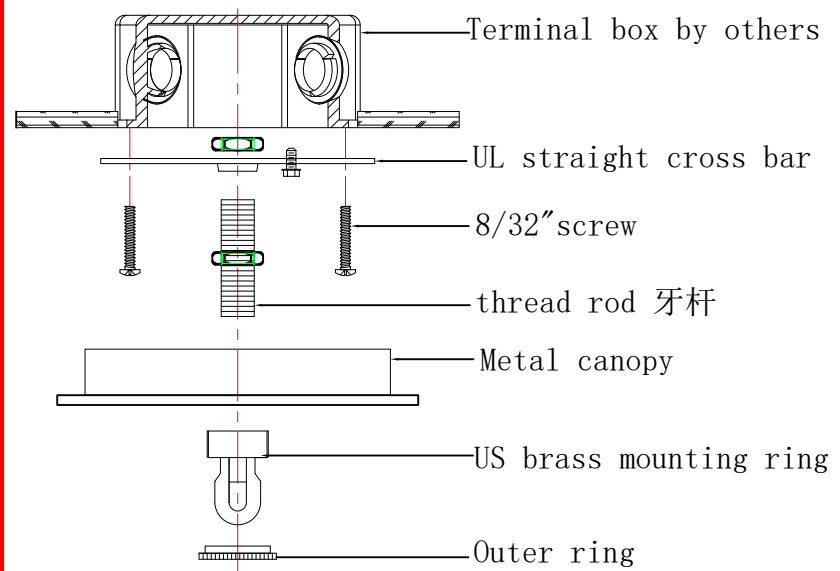
**Fixture Assembly**

Step 1. Fasten 2 8-32 screws to mounting plate so that they extend away from the wall when mounting plate is installed

Step 2. Attach mounting plate to electrical box using 2 8-32 machine screws  
At the same time,install safety to ceiling beam

Step 3. Connect steeve with hub ,main body .  
at the same time ,take wire through lamp body,see diagram

Step 4.Screw part center pipe to part main fixture.  
Connect part washer、 wood by using center pipe.  
Screw part loop to part center pipe.  
Connect part candle piper、 wood by using main body.  
Screw bulb into lampholder.  
Check the installation.





At Home In Any Environment

Assembly & Installation Instructions for:  
304951 Pendant

Customer Service :(702)361-4345,(800)525-2655,customer.service@kalco.com

**Fixture Assembly**

Step 5. Refer to wiring diagram.  
Splice the ribbed side of fixture cord to the white supply wire from outlet box with wire connector. Splice the smooth side of the fixture cord to black supply wire from outlet box with wire connector

Step 6. Carefully tuck in all wires and raise the canopy to the outlet box . Secure canopy with nuts

Step 7. Install candelabra,do not use bulbs that exceeds 40W bulbs,Then take crystal shade on the arm

