



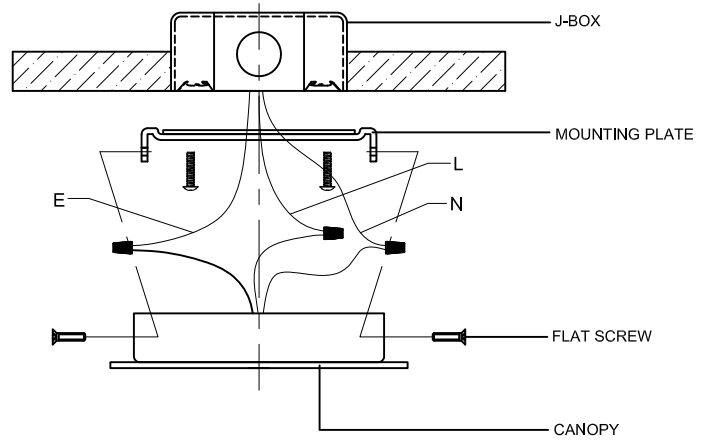
Customer Service :(702)361-4345,(800)525-2655,customer.service@kalco.com

**Fixture Assembly**

**Step 5.** Refer to wiring diagram.  
Splice the ribbed side of fixture cord to the white supply wire from outlet box with wire connector. Splice the smooth side of the fixture cord to black supply wire from outlet box with wire connector

**Step 6.** Carefully tuck in all wires and raise the canopy to the outlet box . Secure canopy with nuts

**Step 7.** Install candelabra,do not use bulbs that exceeds 40W bulbs,Then take crystal shade on the arm



Wiring Diagram

