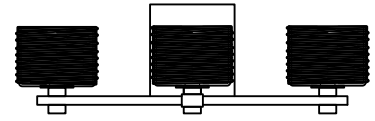




At Home In Any Environment

Assembly & Installation Instructions for:
312133 3 Light Bath



Customer Service: (702) 361-4345, (800) 525-2655, customer.service@kalco.com

WARNING - TO REDUCE THE RISK OF FIRE OR INJURY:

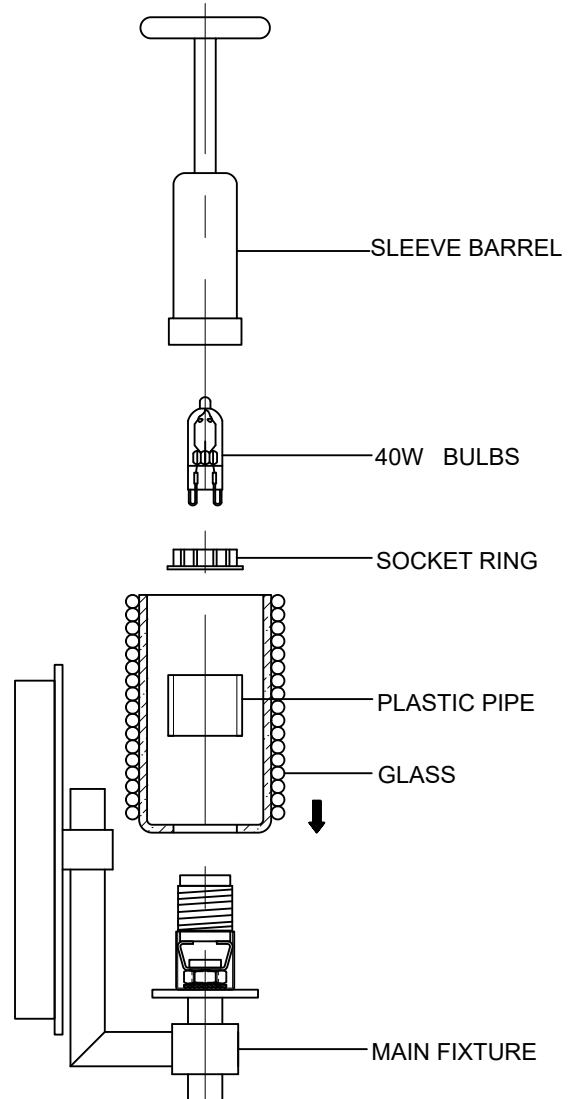
- 1.If you are unfamiliar with electrical wiring, call a qualified electrician to install this unit .More than one person may be necessary to install fixture ,make sure you have enough qualified help.
- 2.Turn off the power to the fixture's circuit at the service panel. Use a voltage detector to verify that the power is off.
- 3.DO NOT install bulb which exceeds the maximum wattage specified on the socket label.

Fixture Assembly:

Step 1. Place mount mounting and wiring steps before crystal installation step

Step 2. Assemble crystal bowl to the lamp body as shown, align holes in crystal shade with holes in fixture, fix part crystal shade to part main fixture by using sleeve barrel, socket ring

Step 3. Install G9 base bulb, do not use bulbs that that exceeds LED/3W





At Home In Any Environment

**Assembly & Installation Instructions for:
312133 3 Light Bath**

Customer Service : (702)361-4345, (800)525-2655, customer.service@kalco.com

Fixture Assembly

Step 4. Install Cross Bar to electrical box, make sure the tabs extend away from wall get fixture close to wall to make wire connections.

Step 5. Refer to wiring diagram. Splice the ribbed side of fixture cord and connect to the white supply wire from outlet box with wire connector. Splice the smooth side of the fixture cord and connect to black supply wire from outlet box with wire connector

Step 6. Carefully tuck in all wires. Attach the back plate with the mounting screw on the crossbar.

Align back plate holes to those on crossbar and secure with the flat head screws.

Turn Lights on.

